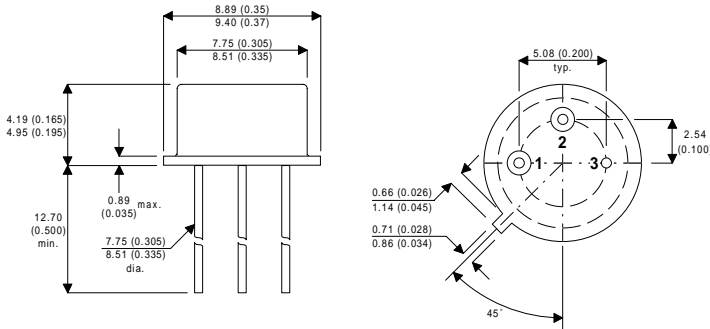


MECHANICAL DATA
Dimensions in mm (inches)



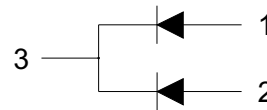
**DUAL COMMON CATHODE
ULTRA FAST
RECTIFIER IN A
LOW PROFILE
HERMETIC TO39 PACKAGE**

FEATURES

- Hermetic Low Profile TO39
- Common Cathode Connection
- $V_{RRM} = 40V$
- $I_{F(AV)} = 1A$
- Screening Options Available

TO39 PACKAGE

1 = Anode1 2 = Anode 2 3 = Cathode 1, Cathode 2



ABSOLUTE MAXIMUM RATINGS ($T_{case} = 25^{\circ}C$ unless otherwise stated)

V_{RRM}	Maximum Repetitive Peak Reverse Voltage	40V
V_{WRM}	Maximum Working Peak Reverse Voltage	40V
$I_{F(AV)}$	Maximum Average Forward Current	1A
I_{FSM}	Maximum Forward Surge Current	50A
T_{stg}	Storage Temperature Range	-55 to +175°C
T_j	Maximum Operating Junction Temperature	-55 to +150°C
$R_{\theta JC}$	Thermal Resistance (Junction-Case)	TBA

ELECTRICAL CHARACTERISTICS

Parameter	Test Conditions	Min.	Typ.	Max.	Unit
V_F Forward Voltage	$I_F = 0.1A$ $T_j = 25^{\circ}C$			0.4	V
	$I_F = 1A$ $T_j = 25^{\circ}C$			0.6	V
	$I_F = 3A$ $T_j = 25^{\circ}C$			0.85	V
I_F Reverse Current	$V_{RR} = 40V$ $T_j = 25^{\circ}C$			1	mA
C_d Junction Capacitance	$V_R = 5V$ $T_j = 25^{\circ}C$		50		pF