

Surface Mount High Isolation Switch

SWMA-2-50DR+

50Ω SPDT, Absorptive DC to 4500 MHz



CASE STYLE: DL1020
PRICE: \$5.30 ea. QTY (10-49)

Maximum Ratings

Operating Temperature	-40°C to 85°C
Storage Temperature	-55°C to 100°C
Power and Voltage	see note 1
Permanent damage may occur if any of these limits are exceeded.	

Pin Connections

RF IN	6
RF OUT 1	1
RF OUT 2	4
TTL IN	2
+5V	5
-5V	7
TTL GND	3
GND	8
GND	PADDLE

Features

- high isolation, 65 dB typ. at 1 GHz
- low insertion loss, 0.7 dB typ.
- integral TTL driver
- aqueous washable

Applications

- automated switching networks
- transmitters/receiver isolation

+RoHS Compliant

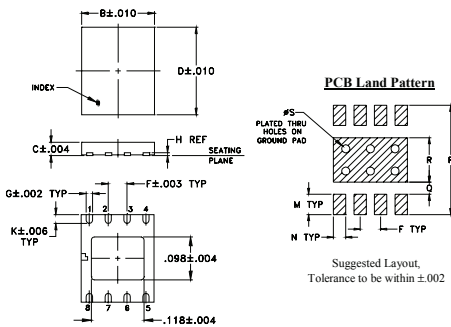
The +Suffix identifies RoHS Compliance. See our web site for RoHS Compliance methodologies and qualifications

Electrical Specifications (T_{AMB}=25°C)

FREQ. (MHz)	INSERTION LOSS (dB)				1dB COMPR. (dBm)				IN-OUT ISOLATION (dB)												
	DC-100 MHz		100-1000 MHz		1000-2000 MHz		2000-4500 MHz		DC-100 MHz		100-1000 MHz		1000-2000 MHz		2000-4500 MHz						
f _i	f _u	Typ.	Max.	Typ.	Max.	Typ.	Max.	Typ.	Typ.	Typ.	Typ.	Typ.	Min.	Typ.	Min.	Typ.	Min.				
DC	4500	0.6	0.9	0.7	1.1	0.9	1.4	1.4	1.9	20*	25	25	24.7	80	65	65	55	55	45	38	27

*drops to 17.0 dBm at 10 MHz

Outline Drawing



Outline Dimensions (inch/mm)

A	B	C	D	E	F	G	H	J	K
--	.193	.035	.236	--	.050	.017	.008	--	.024
--	4.90	0.90	6.00	--	1.27	0.43	0.20	--	0.60
L	M	N	P	Q	R	S	T	wt	
--	.050	.030	.270	.030	.110	.020	--	grams	
--	1.27	0.76	6.86	0.76	2.79	0.51	--	0.08	

Switching Specifications

Power Supply Voltage	Current, mA	
+5V ±.20	9 max.	
-5V ±.20	9 max.	
TTL Control low threshold	Voltage, V	Current, mA
high threshold	0 min., 0.8 max.	0.2 max.
	2 min., 5 max.	5 max.
VSWR* (:1)	1.15 typ. to 2GHz, 1.3 typ. to 4.5 GHz	
Rise/Fall Time, ns	5 typ., 15 max.	
Switching Time, ns turn on/off	10 typ., 20 max.	
Video leakage**, mV p-p	30 typ.	

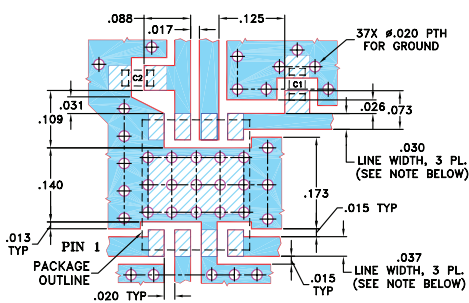
* For all states of absorptive switch

** Video leakage or break through is defined as leakage of TTL switching signal to RF output ports.

1. Absolute maximum power and voltage rating:
RF input power, 250mW
Supply voltage: ±6V DC
2. All RF inputs must be DC blocked or held at 0V DC

TTL	CONTROL LOGIC	
	RF1	RF2
LOW	ON	OFF
HIGH	OFF	ON

Demo Board MCL P/N: TB-161-2+ Suggested PCB Layout (PL-122)



NOTE:

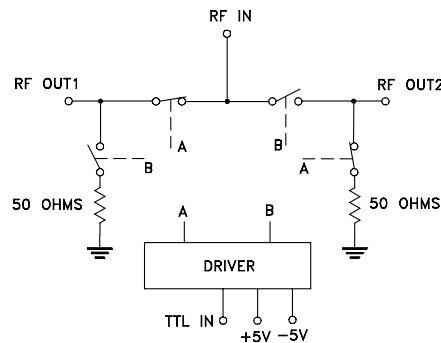
- CAPACITORS C1 & C2: 10 ± 2% pF, 0603 SIZE
1. TRACE WIDTH IS SHOWN FOR ROGERS RO4350 WITH DIELECTRIC THICKNESS .020" ± .002". COPPER: 1/2 OZ. EACH SIDE. FOR OTHER MATERIALS TRACE WIDTH MAY NEED TO BE MODIFIED FOR BOTTOM SIDE OF THE PCB IS CONTINUOUS GROUND PLANE.

- DENOTES PCB COPPER LAYOUT
- DENOTES COPPER LAND PATTERN FREE OF SOLDERMASK

Notes

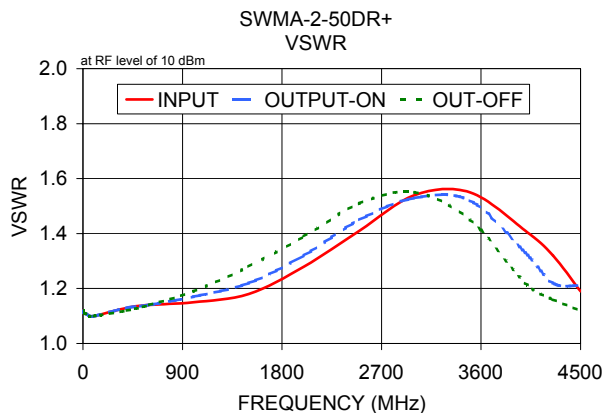
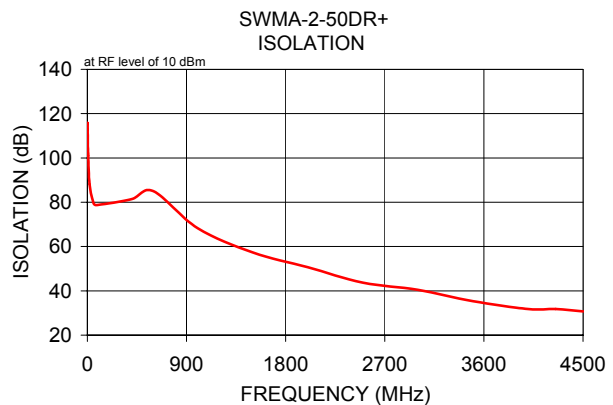
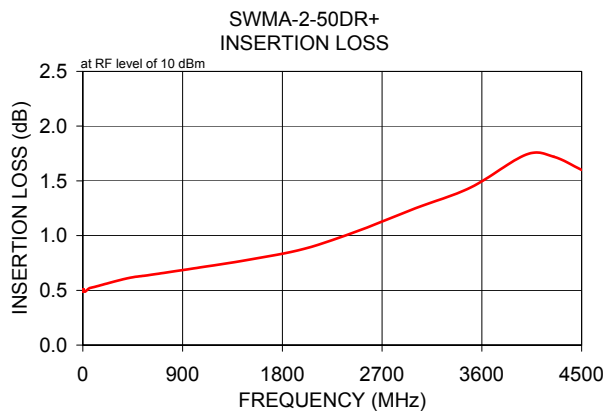
- A. Performance and quality attributes and conditions not expressly stated in this specification document are intended to be excluded and do not form a part of this specification document.
- B. Electrical specifications and performance data contained in this specification document are based on Mini-Circuit's applicable established test performance criteria and measurement instructions.
- C. The parts covered by this specification document are subject to Mini-Circuit's standard limited warranty and terms and conditions (collectively, "Standard Terms"); Purchasers of this part are entitled to the rights and benefits contained therein. For a full statement of the Standard Terms and the exclusive rights and remedies thereunder, please visit Mini-Circuit's website at www.minicircuits.com/MCLStore/terms.jsp

Electrical Schematic



Typical Performance Data

FREQ. (MHz)	ON INSERTION LOSS (dB) Control @ 5V IN-OUT		OFF ISOLATION (dB) Control @ 0V IN-OUT		VSWR			
	\bar{x}	σ	\bar{x}	σ	IN	ON	OUT	OFF
					\bar{x}	\bar{x}	\bar{x}	\bar{x}
0.30	0.51	0.01	111.30	6.00	1.11	1.11		1.11
0.50	0.50	0.00	113.10	3.27	1.12	1.12		1.12
0.80	0.49	0.00	112.55	4.74	1.12	1.12		1.12
1.00	0.49	0.00	115.60	6.23	1.12	1.12		1.12
4.00	0.50	0.01	106.76	3.29	1.12	1.12		1.12
8.00	0.51	0.01	101.01	1.53	1.11	1.11		1.11
20.00	0.49	0.01	88.20	1.46	1.11	1.11		1.11
60.00	0.52	0.01	79.18	0.66	1.10	1.10		1.10
100.00	0.53	0.01	78.80	0.59	1.10	1.10		1.10
400.00	0.61	0.01	81.34	0.60	1.13	1.13		1.12
600.00	0.64	0.01	85.05	4.42	1.14	1.14		1.14
1000.00	0.70	0.01	68.29	1.98	1.15	1.17		1.19
1500.00	0.78	0.01	57.36	1.21	1.18	1.22		1.28
2000.00	0.88	0.01	50.71	0.80	1.28	1.32		1.39
2500.00	1.05	0.01	43.74	0.52	1.41	1.45		1.51
3000.00	1.25	0.01	40.47	0.42	1.54	1.53		1.55
3500.00	1.44	0.01	35.31	0.33	1.55	1.52		1.45
4000.00	1.74	0.01	31.80	0.15	1.41	1.33		1.22
4250.00	1.72	0.03	31.76	0.24	1.32	1.22		1.16
4500.00	1.60	0.02	30.69	0.16	1.19	1.21		1.12



Notes

- A. Performance and quality attributes and conditions not expressly stated in this specification document are intended to be excluded and do not form a part of this specification document.
- B. Electrical specifications and performance data contained in this specification document are based on Mini-Circuit's applicable established test performance criteria and measurement instructions.
- C. The parts covered by this specification document are subject to Mini-Circuits standard limited warranty and terms and conditions (collectively, "Standard Terms"); Purchasers of this part are entitled to the rights and benefits contained therein. For a full statement of the Standard Terms and the exclusive rights and remedies thereunder, please visit Mini-Circuits' website at www.minicircuits.com/MCLStore/terms.jsp