

Coaxial

Power Splitter/Combiner

ZFSC-4-3+

4 Way-0° 50Ω 10 to 300 MHz



BNC version shown
CASE STYLE: G15

Maximum Ratings

Operating Temperature	-55°C to 100°C
Storage Temperature	-55°C to 100°C
Power Input (as a splitter)	1W max.
Internal Dissipation	0.250W max.
Permanent damage may occur if any of these limits are exceeded.	

Coaxial Connections

SUM PORT	S
PORT 1	1
PORT 2	2
PORT 3	3
PORT 4	4

Features

- wideband, 10 to 300 MHz
- high isolation, 38 dB typ.
- rugged shielded case

Applications

- VHF
- radio communication

Connectors	Model	Price	Qty.
BNC	ZFSC-4-3-BNC+	\$78.95	(1-9)
SMA	ZFSC-4-3-S+	\$78.95	(1-9)
BRACKET (OPTION "B")		\$5.00	(1+)

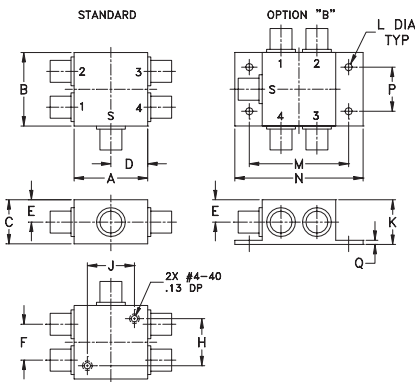
+RoHS Compliant
The +Suffix identifies RoHS Compliance. See our web site for RoHS Compliance methodologies and qualifications

Electrical Specifications

FREQ. RANGE (MHz)	ISOLATION (dB)						INSERTION LOSS (dB) ABOVE 6.0 dB						PHASE UNBALANCE (Degrees)			AMPLITUDE UNBALANCE (dB)		
	L		M		U		L		M		U		L	M	U	L	M	U
	Typ.	Min.	Typ.	Min.	Typ.	Min.	Typ.	Max.	Typ.	Max.	Typ.	Max.	Max.	Max.	Max.	Max.	Max.	Max.
10-300	32	28	38	30	38	30	0.5	0.8	0.6	0.9	0.9	1.2	4	6	8	0.1	0.1	0.2

L = low range [f_L to 10 f_L] M = mid range [10 f_L to $f_U/2$] U = upper range [$f_U/2$ to f_U]

Outline Drawing



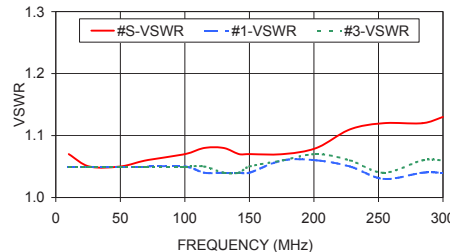
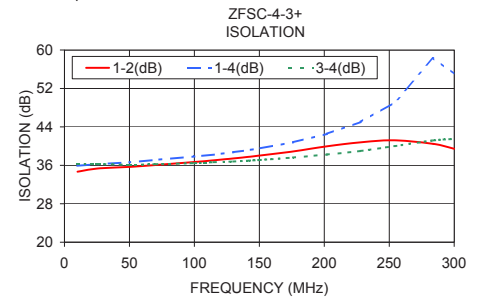
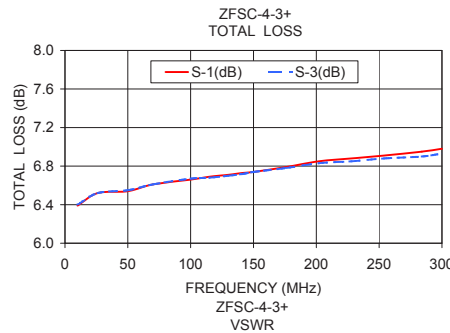
Outline Dimensions (inch/mm)

A	B	C	D	E	F	G	H
1.25	1.25	.75	.63	.38	.61	--	.80
31.75	31.75	19.05	16.00	9.65	15.49	--	20.32
J	K	L	M	N	P	Q	wt
.80	.76	.125	1.688	2.18	.75	.07	grams
20.32	19.30	3.18	42.88	55.37	19.05	1.78	85.0

Typical Performance Data

Freq. (MHz)	Total Loss ¹ (dB)				Amp. Unbal. (dB)	Isolation (dB)			Phase Unbal. (deg.)	VSWR	VSWR	VSWR	VSWR	VSWR
	S-1	S-2	S-3	S-4		1-2	1-4	3-4		S	1	2	3	4
10.00	6.39	6.41	6.40	6.39	0.02	34.67	35.91	36.23	0.09	1.07	1.05	1.05	1.05	1.05
26.00	6.52	6.54	6.52	6.53	0.02	35.36	36.25	36.26	0.18	1.05	1.05	1.05	1.05	1.05
50.00	6.54	6.55	6.55	6.55	0.01	35.67	36.63	36.12	0.27	1.05	1.05	1.05	1.05	1.05
70.00	6.61	6.62	6.61	6.61	0.01	36.06	37.13	36.24	0.43	1.06	1.05	1.05	1.05	1.05
100.00	6.66	6.67	6.67	6.67	0.01	36.69	37.84	36.46	0.67	1.07	1.05	1.05	1.05	1.05
115.00	6.69	6.69	6.68	6.69	0.01	37.05	38.23	36.65	0.75	1.08	1.04	1.04	1.04	1.05
130.00	6.71	6.71	6.70	6.72	0.01	37.44	38.74	36.80	0.90	1.08	1.04	1.04	1.04	1.04
142.00	6.73	6.73	6.72	6.74	0.01	37.78	39.18	36.97	0.94	1.07	1.04	1.04	1.04	1.04
150.00	6.74	6.73	6.74	6.75	0.02	38.02	39.51	37.12	0.98	1.07	1.04	1.04	1.04	1.05
176.00	6.79	6.79	6.78	6.80	0.02	38.89	40.81	37.62	1.14	1.07	1.06	1.06	1.06	1.06
202.00	6.85	6.83	6.83	6.86	0.03	39.95	42.54	38.25	1.25	1.08	1.06	1.07	1.07	1.07
228.00	6.88	6.85	6.85	6.89	0.04	40.79	45.03	38.99	1.42	1.11	1.05	1.05	1.06	1.06
254.00	6.91	6.88	6.88	6.92	0.04	41.21	49.09	40.00	1.62	1.12	1.03	1.04	1.04	1.04
284.00	6.95	6.92	6.90	6.96	0.06	40.46	58.31	41.18	1.83	1.12	1.04	1.05	1.06	1.05
300.00	6.98	6.93	6.93	7.00	0.07	39.45	55.01	41.49	1.79	1.13	1.04	1.06	1.06	1.05

1. Total Loss = Insertion Loss + 6dB splitter loss.



electrical schematic



Mini-Circuits
ISO 9001 ISO 14001 AS 9100 CERTIFIED
IF/RF MICROWAVE COMPONENTS

For detailed performance specs & shopping online see web site

P.O. Box 350166, Brooklyn, New York 11235-0003 (718) 934-4500 Fax (718) 332-4661 The Design Engineers Search Engine [minicircuits.com](http://www.minicircuits.com) Provides ACTUAL Data Instantly at [minicircuits.com](http://www.minicircuits.com)

Notes: 1. Performance and quality attributes and conditions not expressly stated in this specification sheet are intended to be excluded and do not form a part of this specification sheet. 2. Electrical specifications and performance data contained herein are based on Mini-Circuit's applicable established test performance criteria and measurement instructions. 3. The parts covered by this specification sheet are subject to Mini-Circuits standard limited warranty and terms and conditions (collectively, "Standard Terms"); Purchasers of this part are entitled to the rights and benefits contained therein. For a full statement of the Standard Terms and the exclusive rights and remedies thereunder, please visit Mini-Circuits' website at www.minicircuits.com/MCLStore/terms.jsp.

REV. B
M127604
ZFSC-4-3+
HY/TD/CP/AM
120306