

# Coaxial Frequency Mixer

Level 13 (LO Power +13 dBm) 50 to 1000 MHz

## ZP-2MH+ ZP-2MH



### Maximum Ratings

Operating Temperature	-55°C to 100°C
Storage Temperature	-55°C to 100°C
RF Power	200mW
IF Current	40mA
Permanent damage may occur if any of these limits are exceeded.	

### Coaxial Connections

LO	L
RF	R
IF	X

### Features

- low conversion loss, 6.0 dB typ.
- wideband, 50 to 1000 MHz
- excellent L-R isolation, 47 dB typ., L-I, 47 dB typ.
- rugged shielded case

### Applications

- VHF/UHF
- cellular
- instrumentation

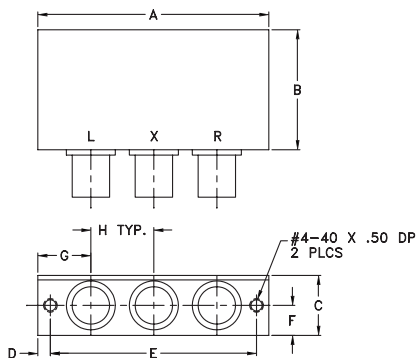
BNC version shown  
CASE STYLE: GG60

Connectors	Model	Price	Qty.
BNC	ZP-2MH(+)	\$43.95 ea.	(1-9)
SMA	ZP-2MH-S(+)	\$48.95 ea.	(1-9)

+ RoHS compliant in accordance with EU Directive (2002/95/EC)

The +Suffix identifies RoHS Compliance. See our web site for RoHS Compliance methodologies and qualifications.

### Outline Drawing



### Outline Dimensions (inch/mm)

A	B	C	D	E	F	G	H	wt
2.31	1.20	.60	.125	2.062	.30	.53	.63	grams
58.67	30.48	15.24	3.18	52.37	7.62	13.46	16.00	75.0

### Electrical Specifications

FREQUENCY (MHz)	CONVERSION LOSS (dB)				LO-RF ISOLATION (dB)						LO-IF ISOLATION (dB)						
	LO/RF	IF	Mid-Band m		L		M		U		L		M		U		
$f_L$ - $f_U$		$\bar{X}$	$\sigma$	Max.	Typ.	Min.	Typ.	Min.	Typ.	Min.	Typ.	Min.	Typ.	Min.	Typ.	Min.	
50-1000	DC-1000	6.0	0.25	7.5	9.0	58	40	47	30	37	25	55	35	47	20	32	18

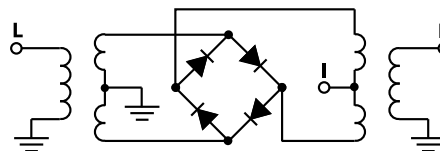
1 dB COMP.: +9 dBm typ.

L = 50-100 MHz M = 100-500 MHz U = upper range [ $f_U/2$  to  $f_U$ ]  
m = mid band [ $2f_L$  to  $f_U/2$ ]

### Typical Performance Data

Frequency (MHz)		Conversion Loss (dB)	Isolation L-R (dB)	Isolation L-I (dB)	VSWR RF Port (:1)	VSWR LO Port (:1)
RF	LO	LO +13dBm	LO +13dBm	LO +13dBm	LO +13dBm	LO +13dBm
50.00	80.00	5.81	57.10	55.26	1.03	2.51
100.00	70.00	5.85	51.37	49.62	1.05	2.39
129.17	99.17	5.79	49.27	47.63	1.07	2.41
200.00	170.00	5.74	46.10	44.54	1.10	2.28
208.33	178.33	5.73	45.84	44.23	1.13	2.36
287.50	257.50	5.70	43.58	42.34	1.17	2.26
340.28	310.28	5.67	42.34	40.78	1.19	2.29
366.67	336.67	5.69	41.82	40.13	1.21	2.28
445.83	415.83	5.72	40.63	37.78	1.26	2.29
498.61	468.61	5.75	39.34	36.04	1.28	2.29
500.00	470.00	5.75	39.33	36.00	1.29	2.28
551.39	521.39	5.86	38.49	34.15	1.33	2.32
630.56	600.56	5.90	38.05	32.59	1.38	2.35
683.33	653.33	6.06	38.00	31.67	1.41	2.33
709.72	679.72	6.12	38.21	31.02	1.43	2.30
788.89	758.89	6.33	38.31	29.48	1.49	2.44
868.06	838.06	6.58	37.78	28.55	1.53	2.37
947.22	917.22	6.88	37.88	27.56	1.60	2.48
973.61	943.61	6.98	37.84	27.05	1.62	2.49
1000.00	970.00	7.05	37.64	26.57	1.64	2.45

### Electrical Schematic



**Mini-Circuits**  
ISO 9001 ISO 14001 AS 9100 CERTIFIED

For detailed performance specs & shopping online see web site

P.O. Box 350166, Brooklyn, New York 11235-0003 (718) 934-4500 Fax (718) 332-4661 The Design Engineers Search Engine [www.minicircuits.com](http://www.minicircuits.com) Provides ACTUAL Data Instantly at [minicircuits.com](http://www.minicircuits.com)

IF/RF MICROWAVE COMPONENTS

Notes: 1. Performance and quality attributes and conditions not expressly stated in this specification sheet are intended to be excluded and do not form a part of this specification sheet. 2. Electrical specifications and performance data contained herein are based on Mini-Circuit's applicable established test performance criteria and measurement instructions. 3. The parts covered by this specification sheet are subject to Mini-Circuit's standard limited warranty and terms and conditions (collectively, "Standard Terms"); Purchasers of this part are entitled to the rights and benefits contained therein. For a full statement of the Standard Terms and the exclusive rights and remedies thereunder, please visit Mini-Circuit's website at [www.minicircuits.com/MCLStore/terms.jsp](http://www.minicircuits.com/MCLStore/terms.jsp).

REV. A  
M98898  
ZP-2MH  
DJ/TD/CP  
081110  
Page 1 of 2

# Performance Charts

# ZP-2MH+ ZP-2MH

