

# Coaxial Bi-Directional Coupler

## ZFBDC20-62HP+

50Ω Up to 50W 10 to 600 MHz

### Maximum Ratings

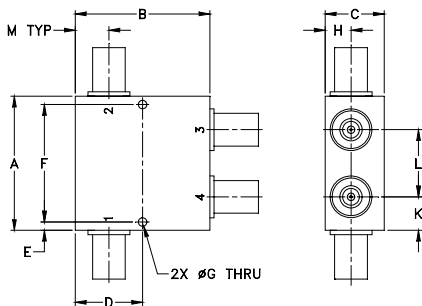
Operating Temperature	-55°C to 100°C
Storage Temperature	-55°C to 100°C

Permanent damage may occur if any of these limits are exceeded.

### Coaxial Connections

INPUT	1
OUTPUT	2
COUPLED (forward)	4
COUPLED (reverse)	3

### Outline Drawing



### Outline Dimensions (inch/mm)

A	B	C	D	E	F	G
2.00	2.00	.88	1.000	0.13	1.750	0.125
50.80	50.80	22.35	25.40	3.30	44.45	3.18

H	J	K	L	M	wt
0.38	--	0.50	1.00	0.50	grams
9.65	--	12.70	25.40	12.70	250.0

### Features

- excellent mainline loss, 0.25 dB typ.
- excellent directivity, 25 dB typ.
- high power, up to 50W
- rugged shielded case

### Applications

- power leveling & monitoring
- military mobile



SMA version shown  
CASE STYLE: JD1252

Connectors	Model	Price	Qty.
BNC	ZFBDC20-62HP+	\$58.95	(1-9)
SMA	ZFBDC20-62HP-S+	\$63.95	(1-9)

### +RoHS Compliant

The +Suffix identifies RoHS Compliance. See our web site for RoHS Compliance methodologies and qualifications

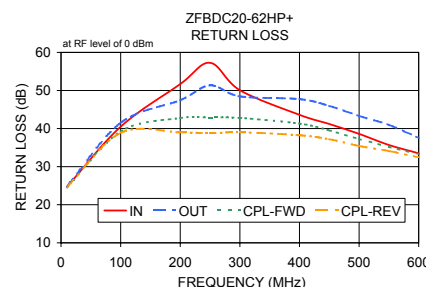
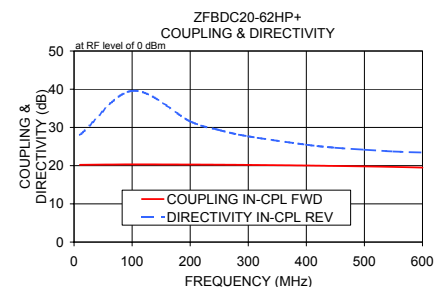
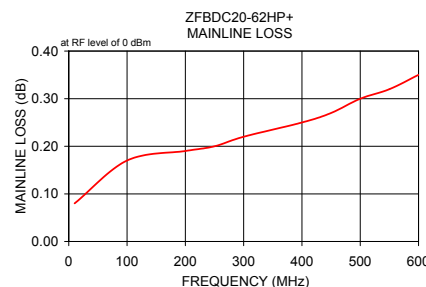
### Bi-Directional Coupler Electrical Specifications

FREQ. (MHz)	COUPLING (dB)		MAINLINE LOSS <sup>1</sup> (dB)		DIRECTIVITY (dB)		VSWR (:1)	POWER <sup>2</sup> INPUT (W)
	Nom.	Flatness	Typ.	Max.	Typ.	Min.		
$f_L$ - $f_U$								
10-600	20.0±0.5	±0.9	0.25	0.70	25	16	1.05	25
10-450	20.2±0.5	±0.5	0.20	0.50	28	19	1.05	50

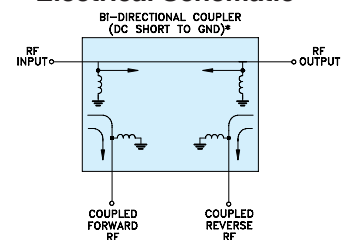
<sup>1</sup> Mainline loss includes theoretical power loss at coupled port.  
<sup>2</sup> Over +55°C derate linearly to 50% of rating at 100°C.

### Typical Performance Data

Frequency (MHz)	Mainline Loss (dB)		Coupling (dB)		Directivity (dB)		Return Loss (dB)			
	In-Out	In-Cpl Fwd	In-Cpl Rev	Out-Cpl Rev	Out-Cpl Fwd	In-Cpl Rev	In	Out	Cpl Fwd	Cpl Rev
10.00	0.08	20.22	20.16	28.32	28.02	24.73	24.90	24.55	24.68	
100.00	0.17	20.34	20.24	38.07	39.56	40.49	41.50	39.26	38.86	
200.00	0.19	20.30	20.29	30.76	31.59	51.68	47.45	42.77	39.00	
250.00	0.20	20.26	20.29	28.54	29.31	57.26	51.33	42.90	38.78	
300.00	0.22	20.20	20.30	27.39	27.67	50.07	48.46	42.80	39.03	
400.00	0.25	20.03	20.26	25.18	25.48	43.61	47.73	41.30	38.25	
450.00	0.27	19.93	20.22	24.33	24.69	41.20	45.96	39.53	37.21	
500.00	0.30	19.80	20.15	23.67	24.17	38.61	43.31	37.27	35.43	
550.00	0.32	19.66	20.07	23.13	23.71	35.69	40.97	35.19	34.11	
600.00	0.35	19.49	19.95	22.75	23.44	33.51	37.54	33.31	32.45	



### Electrical Schematic



\* ELECTRICAL SCHEMATIC IS FOR BI-DIRECTIONAL COUPLER WITH INTERNAL TRANSFORMER(S) THAT ROUTES DC FROM RF PORTS TO GROUND.

### Notes

- Performance and quality attributes and conditions not expressly stated in this specification document are intended to be excluded and do not form a part of this specification document.
- Electrical specifications and performance data contained in this specification document are based on Mini-Circuit's applicable established test performance criteria and measurement instructions.
- The parts covered by this specification document are subject to Mini-Circuits standard limited warranty and terms and conditions (collectively, "Standard Terms"); Purchasers of this part are entitled to the rights and benefits contained therein. For a full statement of the Standard Terms and the exclusive rights and remedies thereunder, please visit Mini-Circuits' website at [www.minicircuits.com/WCLStore/terms.jsp](http://www.minicircuits.com/WCLStore/terms.jsp)

