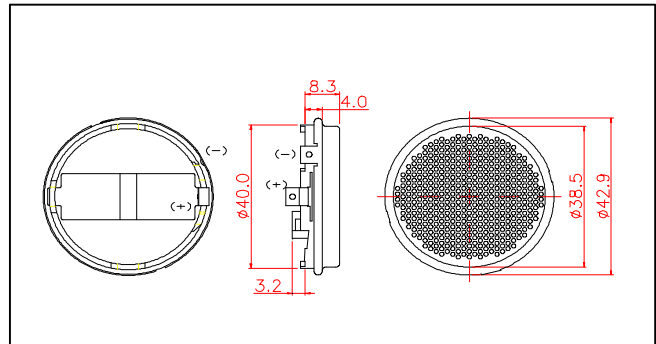




Dimensions: dimensions are in mm



Specification

500ES430	Transceiver
Center Frequency	50.061.0Khz
Transmitting Sound Pressure Level	119 dB min.
at 50.0Khz; 0dB re 20µPa per 300Vac pk-pk, 200Vdc bias at 50 cm	
Receiving Sensitivity	-42 dB min.
at 50.0Khz, 200Vdc bias, 0dB = 1 volt/Pa (1 volt/µbar)	
Capacitance at 1Khz	620% 400 - 500 pF
Suggested DC Bias Voltage	200 V
Suggested AC Driving Voltage	300V pk-pk
Maximum Combined Voltage	400V
Total Beam Angle	-3dB 128 typical
Operation Temperature	-30 to 708C
Standard Finish	
Foil (Diaphragm)	See below
Housing	See below

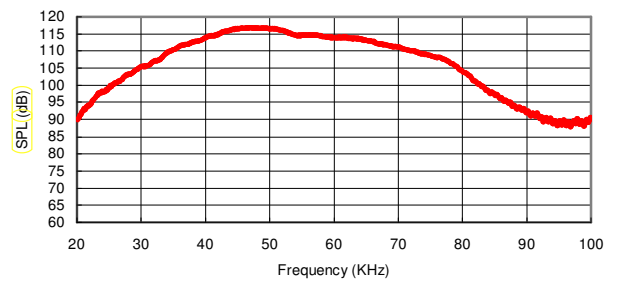
All specification taken typical at 258C

Models available:

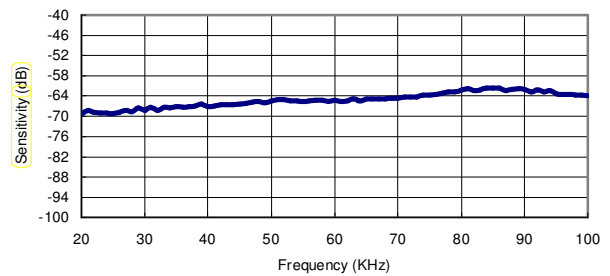
Model	Foil	Housing
500ES43AB	Aluminum	Black Painted Steel
500ES43AS	Aluminum	SUS 304
500ES43GB	Gold	Black Painted Steel
500ES43GS	Gold	SUS 304

Transmitting Sound Pressure Level

Tested under 300Vac pk-pk, 150Vdc bias @100 cm



Receiving Sensitivity: Tested under 200Vdc bias



Beam Angle: Tested at 50.0Khz frequency

