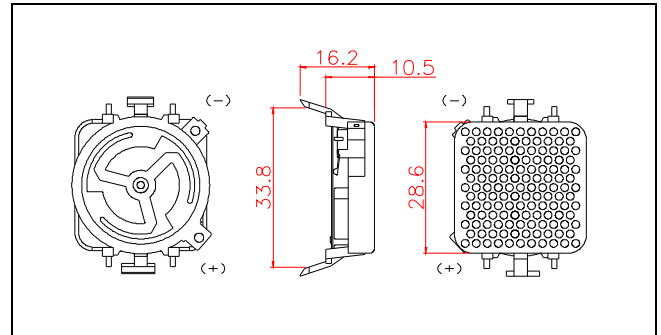




**Dimensions:** dimensions are in mm



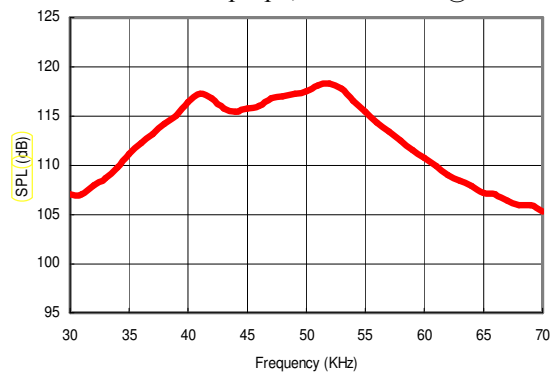
**Specification**

<b>500ES290</b>	Transceiver
<b>Center Frequency</b>	50.061.0Khz
<b>Transmitting Sound Pressure Level</b>	116.0 dB min.
at 50.0Khz; 0dB re 20µPa per 300Vac pk-pk, 200Vdc bias at 50 cm	
<b>Receiving Sensitivity</b>	-63.0 dB
at 50.0Khz, 200Vdc bias, 0dB = 1 volt/µbar (1 volt/Pa)	
<b>Capacitance at 1Khz</b>	600 - 700 pF
<b>Suggested DC Bias Voltage</b>	200 V
<b>Suggested AC Driving Voltage</b>	300V pk-pk
<b>Maximum Combined Voltage</b>	400V
<b>Total Beam Angle</b> -3dB	178 typical
<b>Operation Temperature</b>	0 to 608C
<b>Standard Finish</b>	
Foil (Diaphragm):	
1. 500ES290-G	Gold
2. 500ES290-A	Aluminum
<b>Housing</b>	ABS

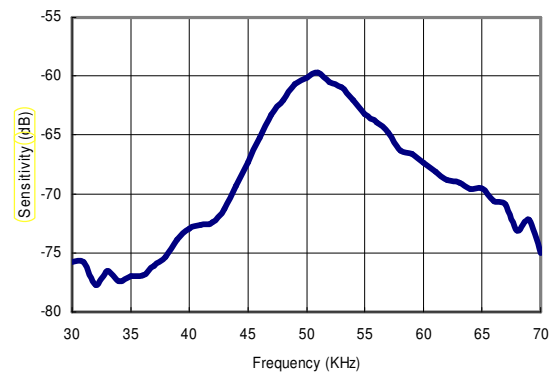
All specification taken typical at 258C

**Transmitting Sound Pressure Level**

Tested under 300Vac pk-pk, 200Vdc bias @50 cm



**Receiving Sensitivity:** Tested under 200Vdc bias



**Beam Angle: Tested at 50.0Khz frequency**

