



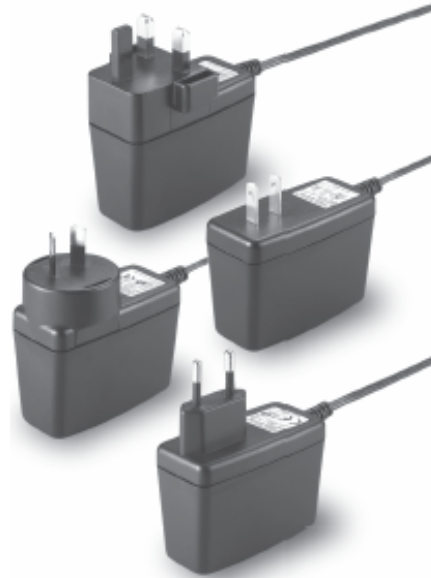
# TR500 SERIES 6W SWITCHING ADAPTER



\* Not CE certified for the EU"

## Features

- \* Universal Input Range 90-264VAC
- \* Meets EN55022 Class B and CISPR/FCC Class B
- \* Continuous Short Circuit Protection
- \* Over Current Protection



## Ordering information

TR5XX	- X	- XX	X	XX
Model No.	AC Plug Type	DC Plug Type		DC Cable Length and Type
	A: USA 2 Pin	* Please see	A: Without OVP Option	01: 720mm
	E: Europe 2 Pin	Page 213 for		02: 1200mm
	U: British 3 Pin	more detailed		03: 1800mm
	S: Australia 2 Pin	descriptions		11: 720mm with Ferrite Core
				12: 1200mm with Ferrite Core
				13: 1800mm with Ferrite Core
				* 20AWG / UL2468

MODEL	OUTPUT VOLTAGE	MAX. LOAD	MIN. LOAD	RIPPLE & NOISE	VOLTAGE SETPOINT	LINE REGULATION	LOAD REGULATION	%EFF. (Typ.)
TR501	12V	500mA	0A	1%	±3%	±1%	±2%	67%
TR502	10V	600mA	0A	1%	±3%	±1%	±2%	67%
TR503	9V	650mA	0A	1%	±3%	±1%	±2%	67%
TR506	8V	650mA	0A	1%	±3%	±1%	±3%	67%
TR507	7.5V	650mA	0A	1%	±3%	±1%	±3%	68%
TR508	7.0V	650mA	0A	1%	±3%	±1%	±3%	68%
TR510	6.5V	650mA	0A	1%	±3%	±1%	±3%	67%
TR511-1	6.0V	1000mA	0A	1%	±3%	±1%	±4%	67%
TR513-1	5.0V	1200mA	0A	1%	±3%	±1%	±4%	67%
TR514	4.2V	1000mA	0A	1%	±3%	±1%	±4%	65%

# Specifications

## INPUT SPECIFICATIONS:

Voltage ..... 90~264Vac  
 Frequency ..... 50 to 60Hz  
 Input Current ..... 0.5A  
 Inrush Current ..... 30A max. @264Vac  
 Leakage Current ..... 0.25mA max.

## OUTPUT SPECIFICATIONS:

Holdup Time ..... 10mS typ. @115Vac  
 Short Circuit Protection ..... Continuous(Auto Recovery)  
 Over Current Protection ..... Constant Current Type  
 Temperature Coefficient .....  $\pm 0.05\%/^{\circ}\text{C}$

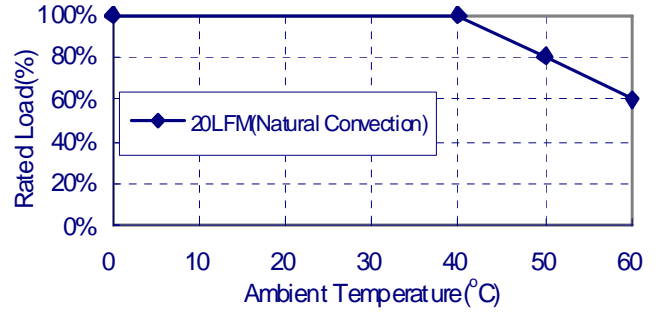
## GENERAL SPECIFICATIONS:

Isolation ..... Input to output = 4,242VDC  
 Operating Temperature ..... 0 ~ 60°C (see derating curve)  
 Storage Temperature ..... -20 ~ 85°C  
 Humidity ..... 93% RH max. Non condensing  
 Cooling ..... Natural Convection  
 Switching Frequency ..... 30 ~ 200KHz  
 MTBF ..... MIL-HDBK-217F, GB, at 25°C/115VAC ..... 200K hrs min.  
 Altitude ..... 2000m  
 Dimensions ..... 2.835x2.047x1.378inches (72.00x52.00x35.00mm)  
 Weight ..... 135g (0.30 Pounds)

## SAFETY AND EMC:

Emission and Immunity ..... EN55022 Class B, FCC Part 15 Class B  
 EN61000-6-3, EN61000-3-2, EN61000-3-3  
 EN55024, EN61204-3, EN61000-6-1  
 Safety ..... IEC60950-1, EN60950-1, UL60950-1

# TR500 Series Derating Curve

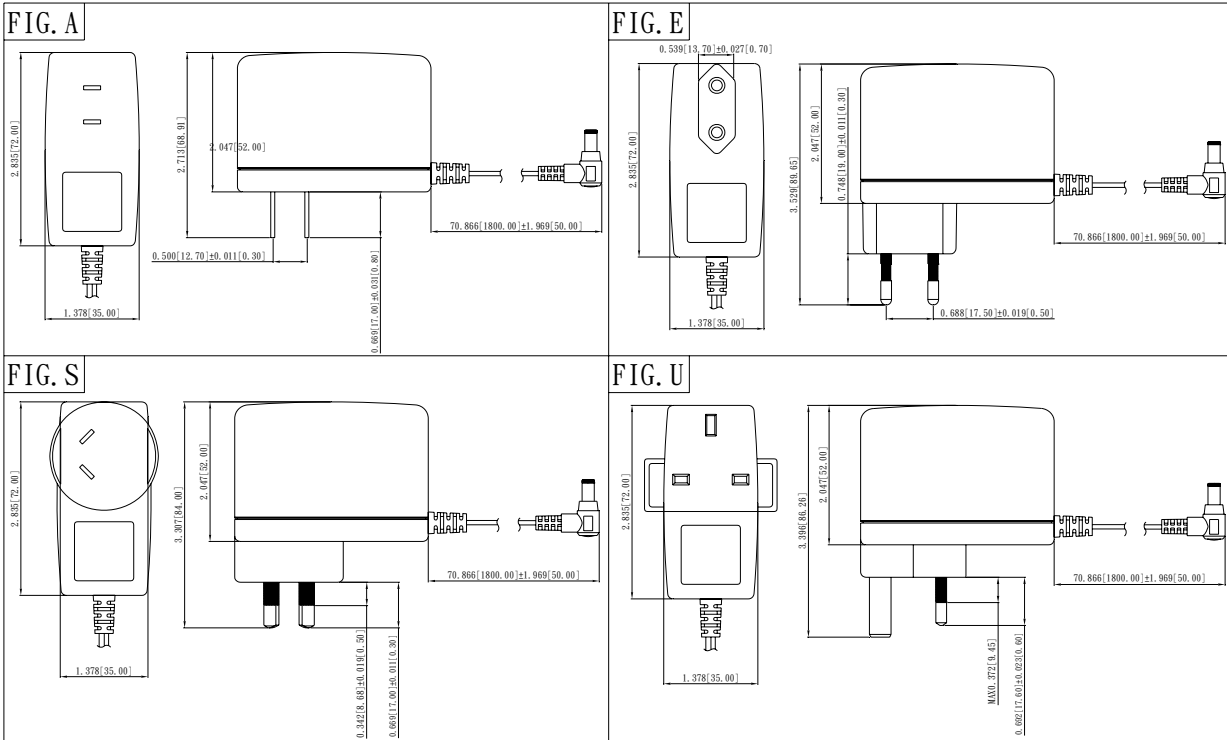


## NOTE:

1. Voltage setpoint at 60% full Load
2. Add a 0.1uF ceramic capacitor and a 10uF E.L. capacitor to output for Ripple & Noise measurement @20MHz BW.
3. Line regulation measured from 100Vac to 240Vac, full load.
4. Load regulation measured from 60% to full load and from 60% to 20% load (60% +/- 40% load)

## Mechanical Specification

All Dimensions are in inches(mm)  
 Tolerance: Inches:X.XXX±0.02  
 Millimeters:X.XX±0.5



Typical at 25°C, nominal line and 75% load, unless otherwise Specified