



Features & Benefits

- Easy to install LED luminaire, designed for exterior surfaces
- Low profile fixture that recesses 27mm into a 40mm diameter hole
- Plug and play system – quick and reliable IP67 connections
- Powered by a 12V DC, short circuit protected LED driver
- Sustainable and efficient SMD-LED that consumes only 0.3W of energy
- Cool to the touch; fixtures will not get hotter than 34°C
- UV-resistant lens and marine grade stainless steel (316) fixture
- Solid “walk/drive-over” construction, designed for loads up to 2850N/285kg
- Tested for operating conditions, ranging from -35°C to +65°C
- Available in LED colors: cool white, warm white, blue and amber

Applications




- Tile, stone, pavers & concrete
- Decking & deck tiles
- Boat docks & piers
- Sidewalks & driveways

Outdoor Pro

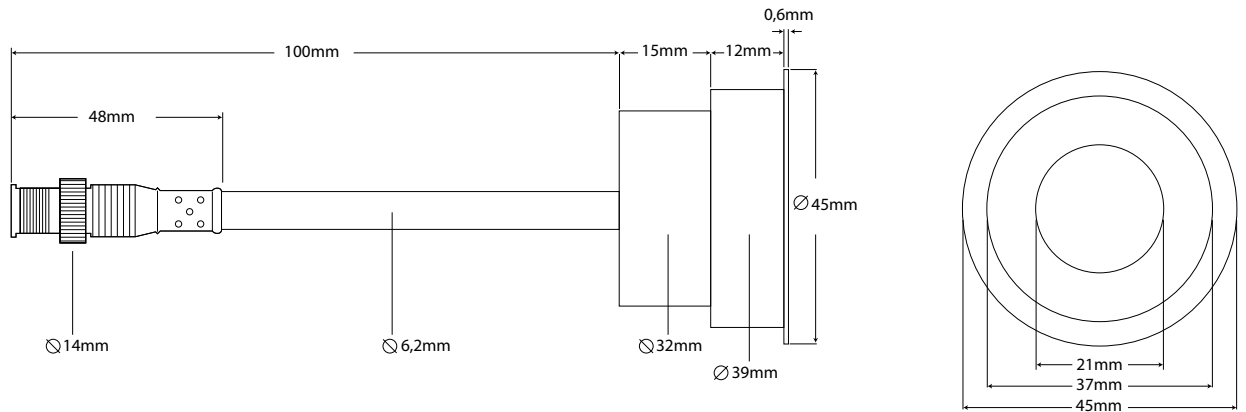
Eyeleds® Outdoor Pro is an innovative range of plug and play outdoor surface lighting, driven by energy efficient and long lasting LED technology. The range consists of architectural, recessed walk-over landscape lighting, and is available in the round lens style. Eyeleds Outdoor® is used as accent, orientation, marker, guide or night-lights in outdoor landscape designs, decking, pavers, tile, boat docks, piers, concrete sidewalks and driveways.

Eyeleds® Outdoor Pro, low profile LED light fixtures, install flush into most exterior surfaces. The fitting recesses into a 40mm diameter hole, drilled through the surface of the material. The fixtures are made of top quality materials and components that are resistant to corrosion and UV-radiation. The solid construction is engineered to withstand heavy use: walking or even driving over the lights is not a problem.

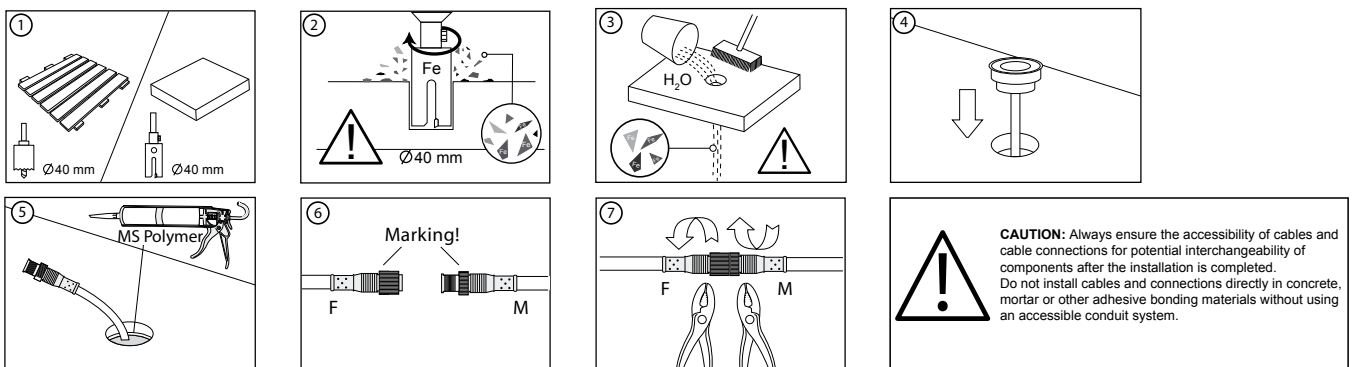
Specifications

| | |
|--------------------------------|---|
| Voltage | 12V DC |
| Power Consumption | 0,3W/25mA |
| Rated Life | up to 100.000 Hours |
| Materials | |
| Lens | UV Res. Polycarbonate |
| Housing | UV Res. Polycarbonate |
| Trim Ring | Stainless Steel 316 |
| Cable | PUR |
| Cable | 2 x 0,75 mm ² |
| Surface Temperature | Max. 34°C |
| Operating Temperature | -35°C to +65°C |
| Drive/Walkover Pressure | Max. 2850N/285kg |
| Warranty | 3 Years Limited |
| Standards |    |
| Environment | IP67 Outdoor Rated |

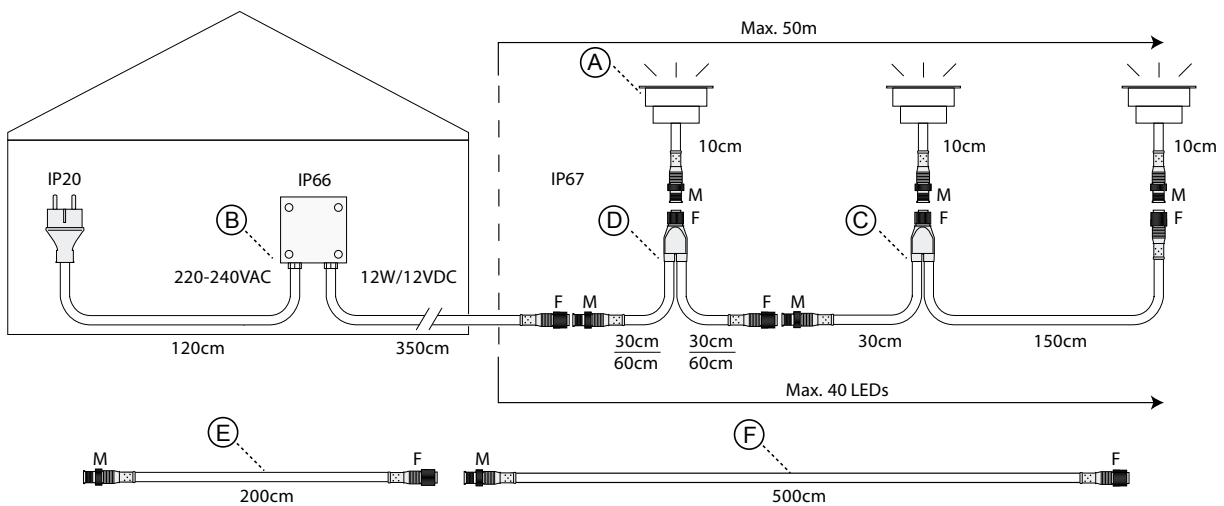
Dimensions



Installation



Example Connection Diagram



Ordering Information

| Product | Finish / LED Colour | Item Code | Accessory | # | Item Code |
|--------------|--|------------------|---------------------------|-----|--------------|
| LED unit (A) | Brushed Stainless Steel / Cool White LED | 176.019.0U.03509 | Power Supply EU 12V / 12W | (B) | AZ.10.00.01U |
| LED unit (A) | Brushed Stainless Steel / Warm White LED | 176.019.0U.40809 | Power Supply UK 12V / 12W | | AZ.86.00.01U |
| LED unit (A) | Brushed Stainless Steel / Blue LED | 176.019.0U.21609 | Power Supply CH 12V / 12W | | AZ.85.00.01U |
| LED unit (A) | Brushed Stainless Steel / Amber LED | 176.019.0U.04109 | T-Splitter 30cm / 150cm | (C) | AZ.11.00.01U |
| | | | T-Splitter 30cm / 30cm | (D) | AZ.12.00.01U |
| | | | T-Splitter 60cm / 60cm | (D) | AZ.22.00.01U |
| | | | Extension Cable 200cm | (E) | AZ.13.00.01U |
| | | | Extension Cable 500cm | (F) | AZ.14.00.01U |