

6000 Series Buccaneer®



Robust, instant connections for harsh environments

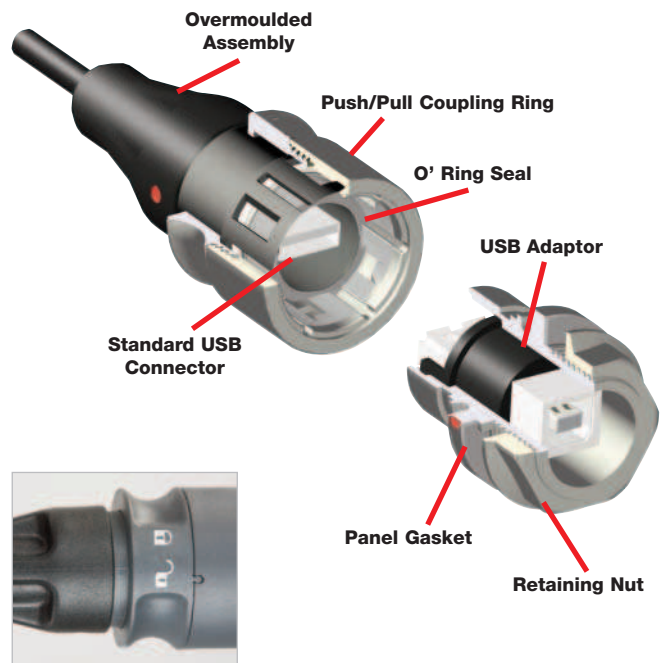
6000 Series Buccaneer - circular connectors that combine the ease of use of a push/pull coupling mechanism with proven environmental sealing. Available with metal or plastic bodies, the range supports Ethernet and USB data interfaces.

Designed and independently tested to IP66, IP68 & IP69K standards, they are ideal for applications where ingress of dust and water must be avoided and where ease of connection, space and appearance are important considerations.



For Data — USB

THERMO-PLASTIC VERSION



- **Push-pull coupling latching system*** → Secure, instant latching. Quick connector mating and release
- **30° twist locking*** → Prevents accidental un-mating
- **IP66, IP68 and IP69K when mated** → Suitable for a wide range of dust and water borne environments
- **Independent sealing tests** → IP Ratings independently verified
- **USB version 2.0 performance** → Low and high speed bus connection, 1.5Mbps to 480Mbps
- **Plug and play capability** → Hot pluggable, standard 4 pole interface
- **Shielded system** → High noise immunity and EMI protection
- **Visual mating indication** → Alignment indicator reduces risk of damage during mating
- **Single and double ended cables** → Suitable for PC and peripheral configuration

*patent applied for

USB – Thermo-plastic version

SEALED USB CABLES - SINGLE ENDED



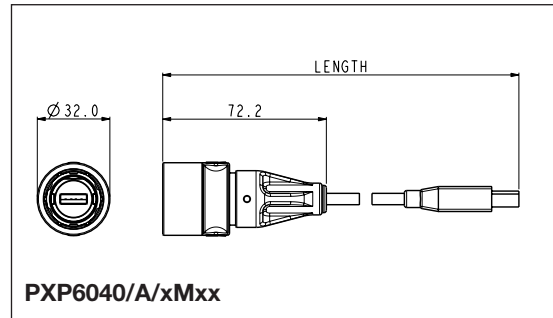
PXP6040/A

Single ended sealed cable assembly

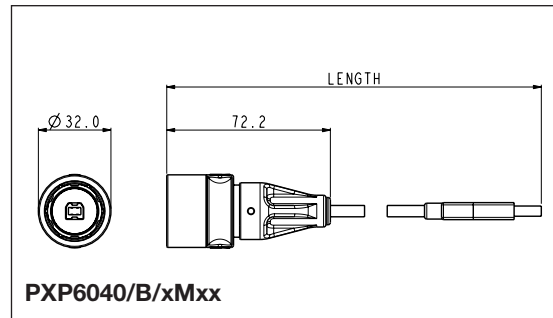
- Mates with all panel mounting connectors
- 30° twist locking
- IP rated 'A' type USB connector to standard 'B' type USB connector, mates with all panel mount connectors
- IP rated 'B' type USB connector to standard 'A' type USB connector, mates with all panel mount connectors
- Available in 2m, 3m and 5m lengths



PXP6040/B



PXP6040/A/xMxx



PXP6040/B/xMxx

Part No.	Length	Description
PXP6040/A/2M00	2m	IP rated A type USB to standard B type USB
PXP6040/A/3M00	3m	IP rated A type USB to standard B type USB
PXP6040/A/5M00	5m	IP rated A type USB to standard B type USB
PXP6040/B/2M00	2m	IP rated B type USB to standard A type USB
PXP6040/B/3M00	3m	IP rated B type USB to standard A type USB
PXP6040/B/5M00	5m	IP rated B type USB to standard A type USB

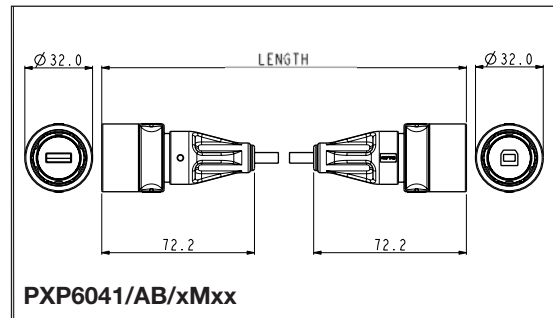
SEALED USB CABLES - DOUBLE ENDED



PXP6041/AB

Double ended sealed cable assembly

- Mates with all panel mount connectors
- 30° twist locking
- IP rated 'A' type USB connector to 'B' type USB connector
- Available in 2m, 3m and 5m lengths



PXP6041/AB/xMxx

Part No.	Length	Description
PXP6041/AB/2M00	2m	IP rated A type USB to IP68 B type USB
PXP6041/AB/3M00	3m	IP rated A type USB to IP68 B type USB
PXP6041/AB/5M00	5m	IP rated A type USB to IP68 B type USB

6000 Series Buccaneer®

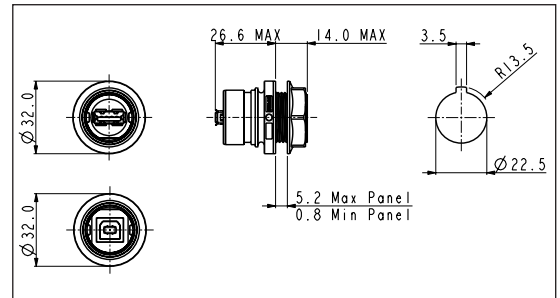


USB – Thermo-plastic version

FRONT PANEL MOUNTING CONNECTOR



- PXP6042/A - USB 'A' type IP rated connector
- PXP6042/B - USB 'B' type IP rated connector
- Opposite USB type connector to rear of panel
- Mates with PXP6040 and PXP6041 cable connectors

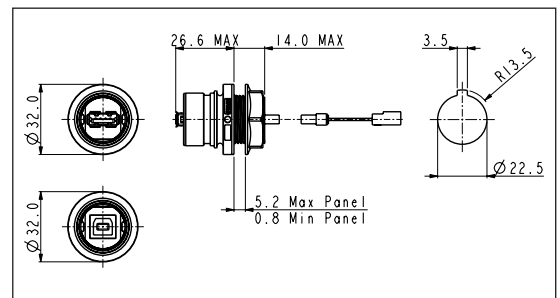


Part No.	Description
PXP6042/A	IP rated A type USB, front panel mounted. Sealed A type at front of panel, standard B type at rear.
PXP6042/B	IP rated B type USB, front panel mounted. Sealed B type at front of panel, standard A type at rear.

FRONT PANEL MOUNTING CONNECTOR



- PXP6043/A - USB 'A' type IP rated connector
- PXP6043/B - USB 'B' type IP rated connector
- Leaded with 5 way crimp connector
- Mates with PXP6040 and PXP6041 cable connectors

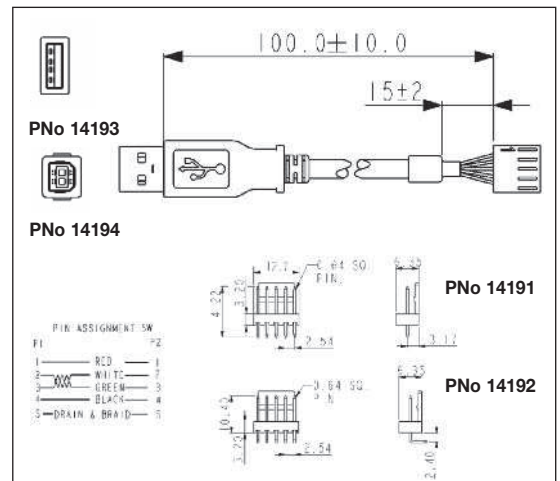


Part No.	Description
PXP6043/A	IP rated A type USB, front panel mounted. Sealed A type at front of panel, 5 way crimp connector at rear.
PXP6043/B	IP rated B type USB, front panel mounted. Sealed B type at front of panel, 5 way crimp connector at rear.

PCB ADAPTOR LEADS



- Standard A and B type USB connectors to 5 way crimp adaptor leads
- 5 way headers, 2.54mm pitch, horizontal or vertical mounting

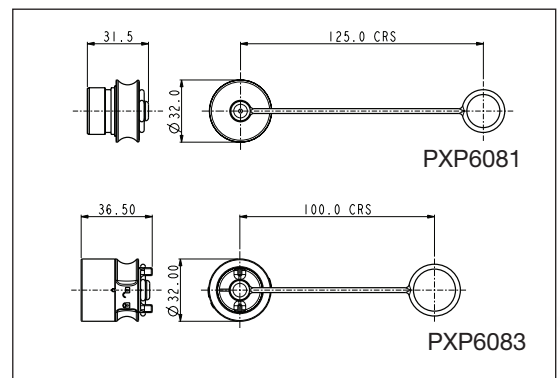


Part No.	Description
14193	USB 'A' type to 5 way crimp connector
14194	USB 'B' type to 5 way crimp connector
14191	5 way PCB header straight
14192	5 way PCB header right angle

ACCESSORIES



- Sealing caps to maintain IP rating when connectors are not in use
- PXP6081 for cable connectors PXP6040 & PXP6041
- PXP6083 for front panel mount connectors PXP6042 & PXP6043, with 30° twist lock



Part No.	Description
PXP6081	Sealing Cap for Flex cable connectors (PXP6040, PXP6041)
PXP6083	Sealing Cap for front panel mounting connector (PXP6042, PXP6043)

USB – Thermo-plastic version

PART NO SYSTEM

PXP / xxxx / x / xxxx

Plastic Connector Designation

Series

6 = 6000 Series

Body Styles

040 = Single ended cable

041 = Double ended cable

042 = Panel with adaptor

043 = Panel with lead

Characteristics

A = 'A' type sealed interface

B = 'B' type sealed interface

AB = 'A' & 'B' type sealed interface (for use with 6041 only)

Cable length

2M00 = 2 metre cable length (for use with 6040 and 6041 cables only)

3M00 = 3 metre cable length (for use with 6040 and 6041 cables only)

5M00 = 5 metre cable length (for use with 6040 and 6041 cables only)

Blank for 6042 & 6043 panel bodies

Examples:

PXP6040/A/2M00 = Cable assembly with sealed 'A' type connector to unsealed 'B' type connector, 2 metres long

PXP6042/A = Panel mounted adaptor with sealed 'A' type to unsealed 'B' type at rear

6000 Series Buccaneer®



USB – Thermo-plastic version

SPECIFICATION

Cables & connectors

Mechanical

Sealing	IP69K, DIN40050-9 IP68, EN60529 IP66, EN60529
Operating temperature	0°C to +70°C

Electrical

No. of poles	4
Current rating	1A
Voltage rating	30Vac (RMS)
Contact resistance	30mΩ max.
Performance	USB version 2.0

Materials - Overmoulded

Overmould material	PVC (black)
Flammability rating	UL94V-0

Materials - Re-wireable and Panel Connectors

Plastic	PC/PBT
Metal	Machined Brass, Nickel Plated
Flammability rating	UL94V-0
'O' rings	Silicon
Panel Gasket - round	Silicon
Panel Gasket - flange	Silicon

Materials - cable

Cable Jacket	PVC (black)
Screen	Tinned copper braid
Flammability	UL94V-0
RoHS	Compliant

Length:	Dia	Conductors Signal	Conductors Power
2m	4.8mm	2 x 28AWG	2 x 24AWG
3m	5.0mm	2 x 28AWG	2 x 22AWG
5m	5.2mm	2 x 25AWG	2 x 20AWG

PCB adaptor leads

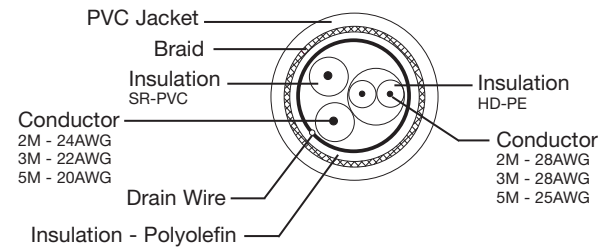
Electrical

No. of conductors	4
Current rating	1A
Voltage rating	30Vac (RMS)
Contact resistance	<10mΩ max.
PCB pitch	2.54mm

Materials

Moulding	Polycarbonate
Flammability	UL94V-0
Contact material	Copper Alloy
Contact plating	30 micro inch Gold
Wire insulation	PVC (black)
Flammability	UL94-V0
Conductors	4 x 28AWG
Operating temperature	0°C to +70°C
Mating cycles	1,000
RoHS	Compliant

Cable construction - PXP6040, PXP6041



Europe

Elektron Technology, Woodland Road, Torquay,
Devon UK TQ2 7AY
t: +44 (0)1803 407752
e: europe@elektron-technology.com

The Americas

Elektron Technology, 31-315 Plantation Drive
Thousand Palms CA 92276
t: +1 760-343-3650
e: americas@elektron-technology.com

China and Asia

Elektron Technology, Room 902 No.568 Hengfeng Rd,
Henhui Int Building, Shanghai 200070, China
t: +86 21-6040-0060
e: asia@elektron-technology.com