

FEATURES

40W DC Input Constant Current with Optional Dimming LSDCx040 Series

- High Efficiency
- IP67
- RoHS Compliant
- Certified to UL/cUL 8750
- Optional Dimming



SPECIFICATIONS

Model #	Output Current	Output Voltage	Output Power	No Load Output Voltage ±5%	Ripple & Noise (3)
LSDCx040S045SS	450mA	53~89V	40W	94V	0.32V

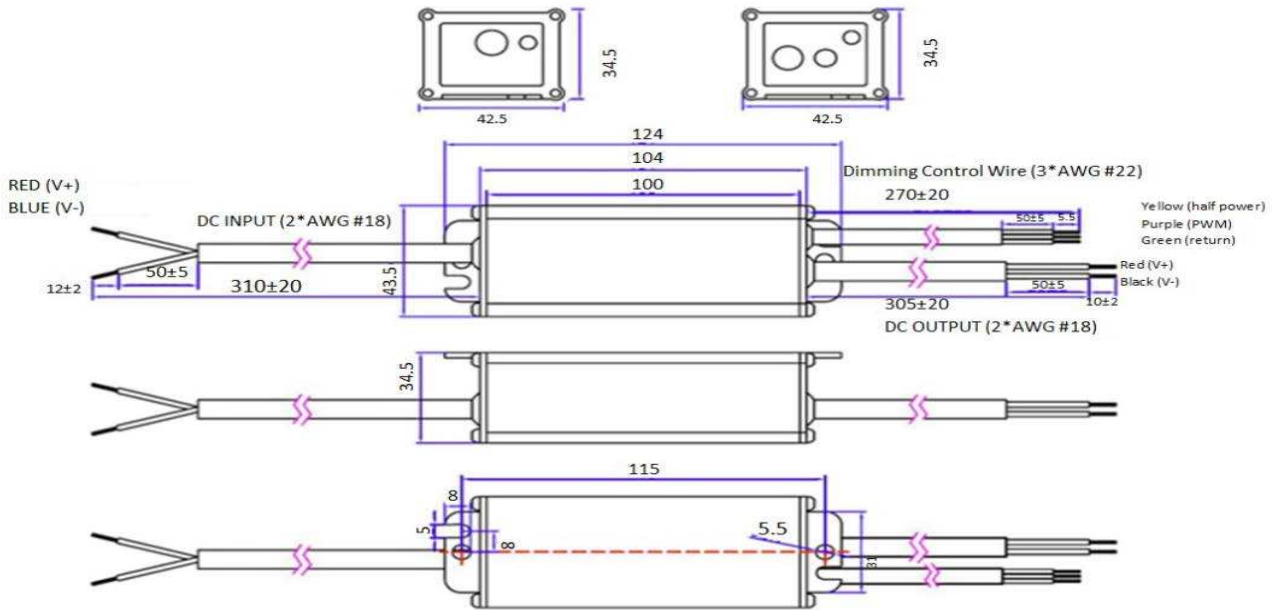
Output	Set-up Delay Time	<0.25s			
	Line Regulation	3%			
	Load Regulation	5%			
Input	Voltage	10~30V			
	Efficiency (2)	12V 90% / 24V 93%			
	Inrush Current	5.6 A Cold start, Vin=12V, Po=40W			
	DC Current	12V	3.9 A Full load, Vin=12V, Po=40W		
24V		1.9 A Full load, Vin=24V, Po=40W			
Dimming	Input Voltage	0~10V	Purple Wire		
	Input Current	10mA	Pulse width 0% means connecting the 0~10V wire to ground		
	Pulse Width	0~100%			
Protection	Over Voltage Protection	1.3Vo ±5% floating deviation Latch mode. The power supply shall return to normal operation only after the power is turned on again.			
	Short Circuit	Protection type: Hiccup mode, recovers automatically after fault condition is removed.			
Environmental	Temperature Range	Operational	-35°C ~+50°C		
		Storage	-40°C~+85°C		
	Humidity	Operational	10~100% RH non-condensing		
		Storage	5~100% RH		
Others	MTBF	100,000 hours			
	Life Time	60,000 hours			
	Dimension	(L*W*H) 104*43.5*34.5mm 4.09*1.71*1.36 Inches			
	Weight	315g			



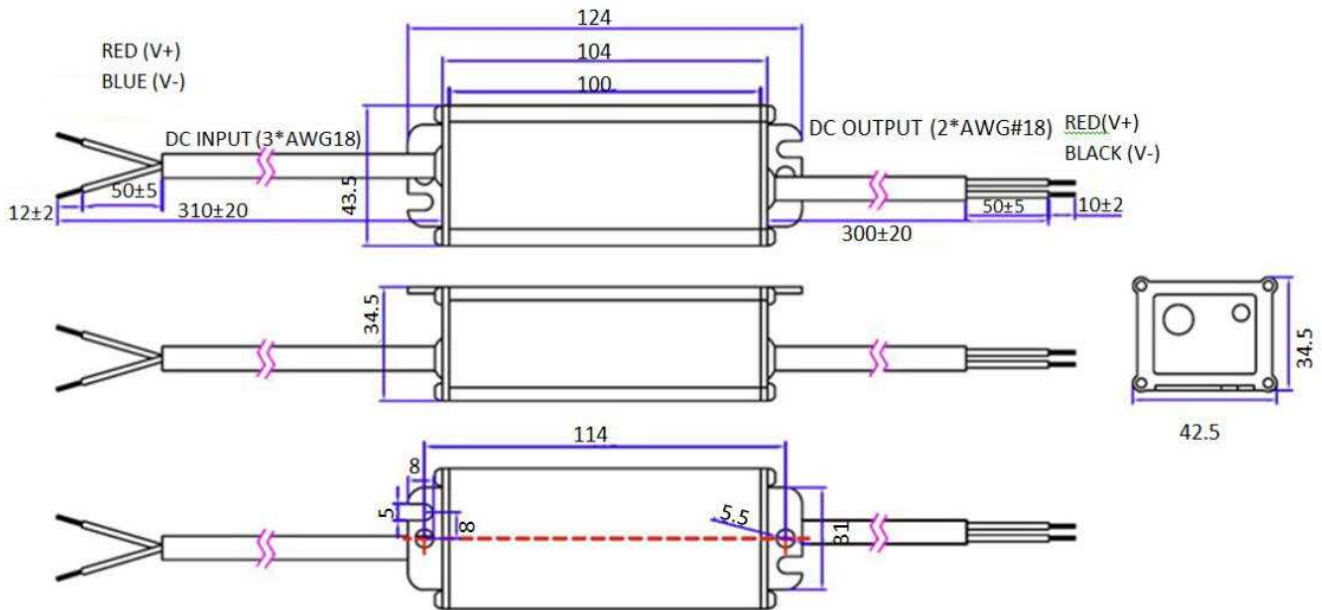
Notes:

1. All specifications are typical at 25°C unless otherwise stated.
2. The "Efficiency" values are measured at full load, after the unit is thermally stabilized, otherwise they will be lower about 1%.
3. The "Ripple & Noise" values are measured by 20MHz bandwidth oscilloscope and the output paralleled a 0.1uF ceramic capacitor and a 10uF electrolytic capacitor.

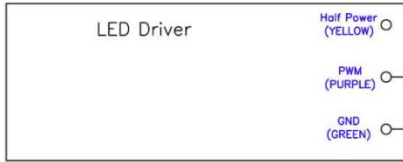
Mechanical Specifications



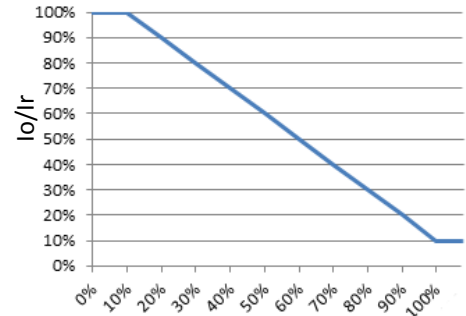
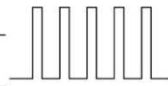
Non Dimming Mechanical Specifications



PWM Dimming



PWM Dimming:
 Pulse: Hi=5V Low=2V
 Duty: 10-100% Fsw: 1-2KHz



Duty cycle

PART NUMBER SCHEME

LSDC**x**040**S**045**SS**

- L=LED Driver "S" Series
- D=DC input 10~30V
- Constant Current
- D=Dimming - = Non dimming
T= Timer dimming

- S= Class II, 2 Wire Input
- S=Metal Case
- Rated Current
- Single Output
- 040=Rated Power (Watts)

SPECIFICATIONS ARE SUBJECT TO CHANGE WITHOUT NOTICE AUTECH IS NOT RESPONSIBLE FOR ISSUES ARISING FROM ERRORS OR OMISSIONS

