

**FEATURES**

150W Constant Current Triple Output

LEDWC-150T Series

- Ultra High Efficiency (Up to 91%)
- PF (Up to 0.99)
- IP67
- Triple Output Channels
- Lighting Protection
- Complies with UL8750 & EN61347



**SPECIFICATIONS**

Model #	Each Output Rated Current	Each Output Current Range	Each Output Max. Voltage	Each Output Voltage Range
LEDWC-150T035ST	350mA	332~368mA	142 Vdc	90V~142Vdc

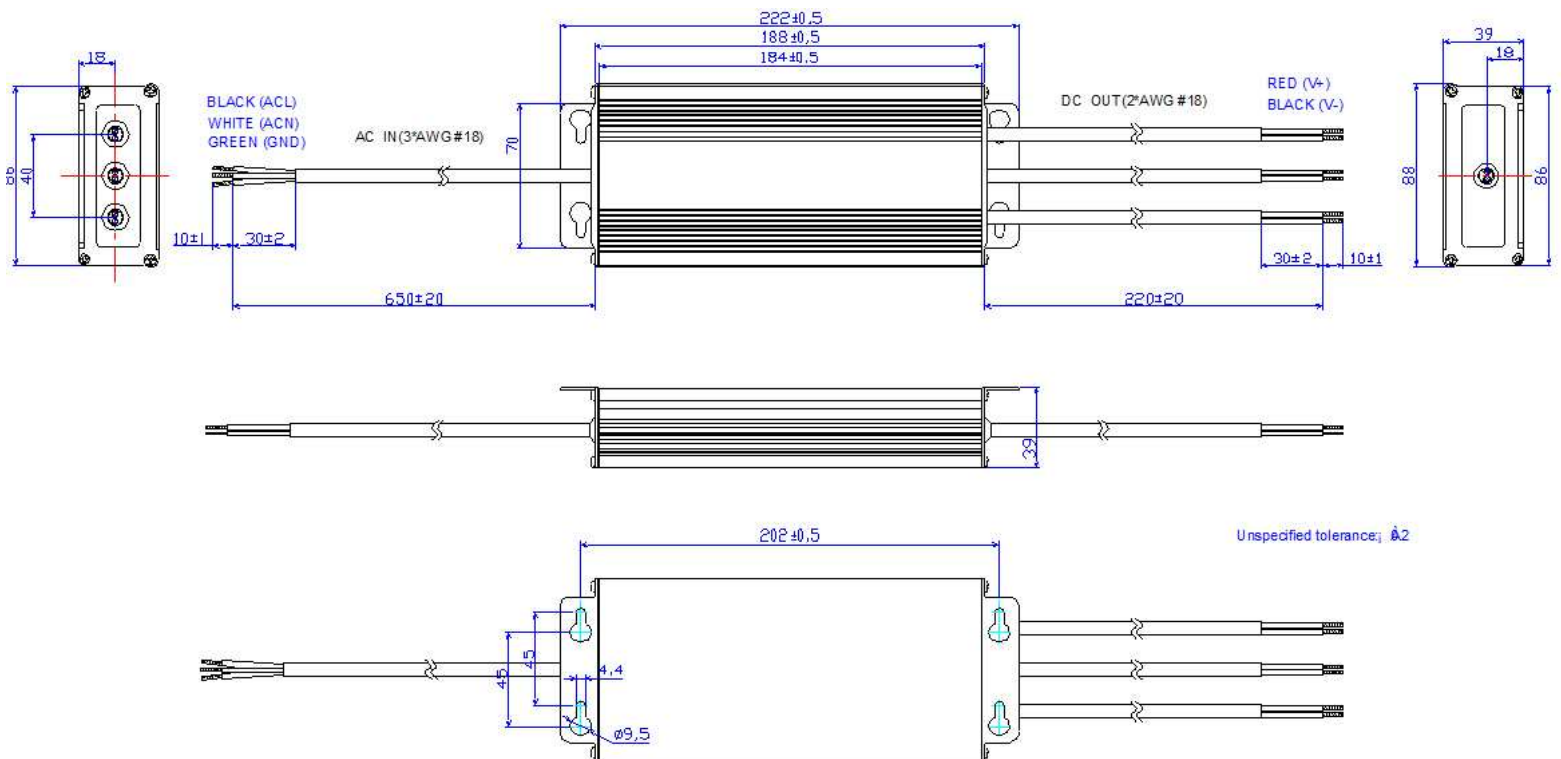
Output	Rated Power	150W	
	Ripple & Noise	2% Vo Pk- Pk	
	Line Regulation	1%	
	Load Regulation	3%	
	Start-Up Time	0.6 sec. measured at 110V AC	
	Output Overshoot / Undershoot	10% When powered ON or OFF	
Input	Voltage Range	90V~305V AC	
	Frequency Range	47Hz~63Hz	
	Inrush Current	50A @ 230V AC Input and 25°C	
	PF	0.99@100V AC and 0.95@220V AC	
	Efficiency	88% min.@110V AC / 90% min.@220V AC	
	AC Current (Typ)	1.7A / 100V AC 0.8A / 220V AC	
Protections	Short Circuit	Protection type: Hiccup mode, recovers automatically after fault condition is removed	
	Over Temperature	110°C Latch mode. The power supply shall return to normal operation only after the power supply has been recycled.	
	Over Voltage	180V Typ. / 200V max. Protection type: latch-off mode, Power supply must be recycled.	
Environmental	Temperature	Operational	-35°C ~ 70°C
		Storage	-40°C ~ 85°C
	Humidity	Operational	10~100%RH
		Storage	5~100%RH
Safety & EMC	Safety Standards	UL8750 compliance to UL1310 Class2 UL1012 UL935, CSA-C22.2 (No.0, No 107.1 No.250.0)	
	Withstand Voltage	I/P – O/P: 3KVAC (4242 DC) I/P –FG: 1.5KVAC (2121 DC) O/P-FG: 0.5KVAC (707 DC), 1 minute	
	EMI Conduction & Radiation	EN55015 with 6db margin	
	Harmonic Current	EN61000-3-2, EN61000-3-3	
	EMS Immunity	EN61000-4-2, EN61000-4-3, EN61000-4-4, EN61000-4-5, EN61000-4-6, EN61000-4-8, EN61000-4-11	
Others	MTBF (3)	420K hours Compliance: MIL-HDBK-217F @ 25°C ambient temp.	
	Life Time (4)	60,000 hours @ 45°C ambient temp	
	Dimensions	(L*W*H) 188*88*39 mm 7.4*3.46*1.54 inches	
	Weight	1300g	



**NOTE:**

1. Measured at full load, 220V AC input and 25°C of ambient temperature.
2. Ripple & Noise are measured at 20MHz of bandwidth oscilloscope and the output paralleled a 0.1µF ceramic capacitor & 10µF electrolytic capacitor.
3. Measured at 110V AC input, 80% load and 25°C of ambient temperature.
4. Measured at 220V AC input, 80% load and 45°C of ambient temperature.
5. Measured at full load, 110VAC input, 25°C ambient temperature, after the unit is thermally stabilized. It will be lower about 1%, if measured immediately after startup.
6. All parameters NOT specially mentioned are measured at 220VAC input, rated load and 25°C of ambient temperature.
7. Specifications are subject to change without notice. AUTECH cannot be held liable for errors or omissions or the consequences thereof.
8. A suffix-XXXX may be added to denote variation or modifications to the base product, where X can be any alphanumeric character or blank.

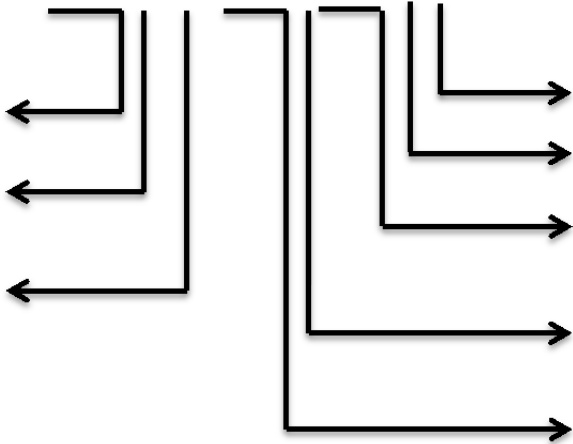
**Mechanical Specification**



**PART NUMBER SCHEME**

LEDWC-150T035ST

- LED= LED Driver
- W= Wide Input Voltage 90~305V AC
- C= Constant Current



- T= Class I, 3 Wire Input
- S= Metal Case
- 035= Rated Current mA
- T= Triple Output
- 150= Output Power (Watts)

