

FEATURES

10W Constant Current with Dimming

LGUCD010 Series

- Universal AC Input 90~264Vac
- High Efficiency & High Power Factor
- Operation from - 20°C ~ 70°C
- IP67
- RoHS Compliant
- Certified to UL/cUL 8750



SPECIFICATIONS

| Model# | Output Constant Current | Output Voltage Range (1) | Over Voltage Protection |
|---------------------|-------------------------|--------------------------|-------------------------|
| LGU-010S017-068PSCD | 680mA±10% | 4~17V | 23~27V |
| LGU-010S035-034PSCD | 340mA±10% | 4~35V | 41~48V |

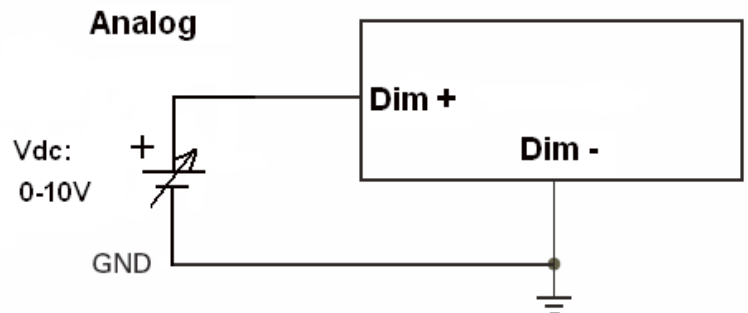
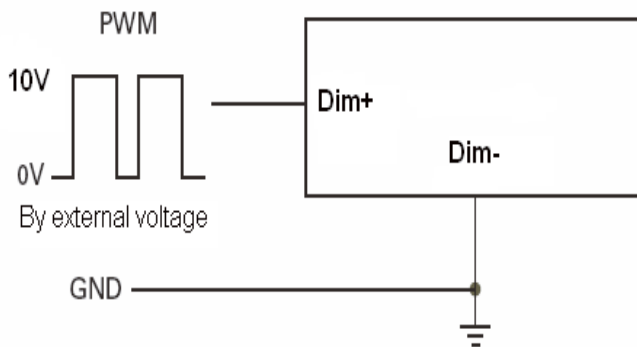
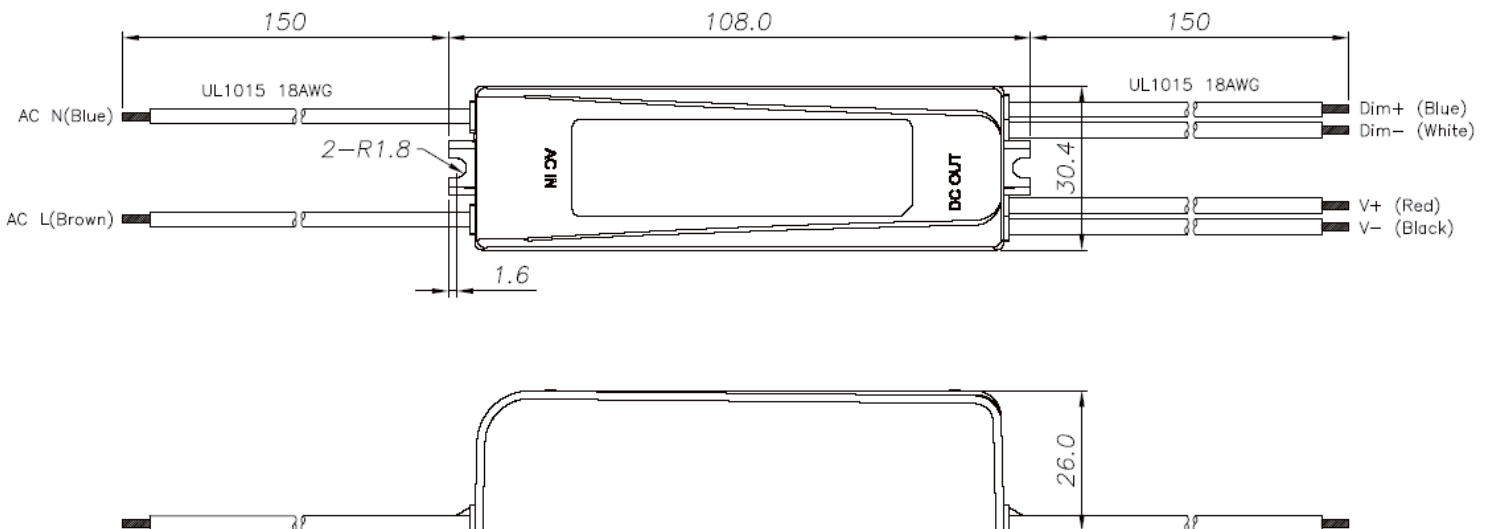
| | | | |
|-----------------|----------------------------|--|---------------------------------|
| Output | PWM Dimming | 0V<Vadj<10V (100HZ-3KHZ) | |
| | Rated Max. Power | 12W | |
| | Turn-on Delay Time | <200ms at full load | |
| | Set up time | 0.5s/230V AC 1s/115V AC at full load | |
| Input | Voltage Range | 90V AC ~ 264V AC or 127V AC ~ 370V AC | |
| | Frequency Range | 47Hz~63Hz | |
| | Power Factor Correction | >0.9/115V AC at full load | |
| | AC Current | 0.2A at 115V AC / 0.1A at 230V AC | |
| | Inrush Current | 11A at 115V AC / 15A at 230V AC | |
| | Leakage Current | <0.25mA / 240V AC | |
| Protecti ons | Over Load | 100~135% rated output power recovers automatically after fault condition has been removed. | |
| | Short Circuit | Type: By constant current mode. Recovers automatically after fault condition is removed. | |
| Environmental | Temperature Range | Operational | -20°C~70°C (See derating curve) |
| | | Storage | -40~+80°C |
| | Humidity | Operational | 20%~95%RH |
| | | Storage | 10%~95% RH |
| Safety & EMC | Safety Standards | EN 61347-1, EN61347-2-13, IP67 Approved. UL1310 | |
| | EMI Conduction & Radiation | Meet EN55015, FCC part 18/ class B | |
| | EMS Immunity | Meet EN61547, EN61000-4-2,3,4,5,6,8,11 | |
| Others | MTBF | 400k Hours | |
| | Dimensions | (L*W*H) 108*30.5*26mm | |
| | Weight | 140g | |



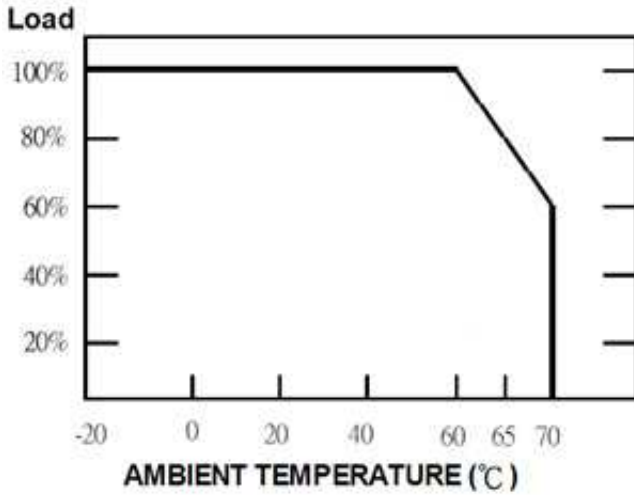
Notes:

1. All parameters NOT specially mentioned are measured at 230V AC input, rated load and 25°C ambient temperature.
2. The constant current operation region is within the specified output voltage range above. This is the suitable operation region for LED related applications.

Mechanical Specification



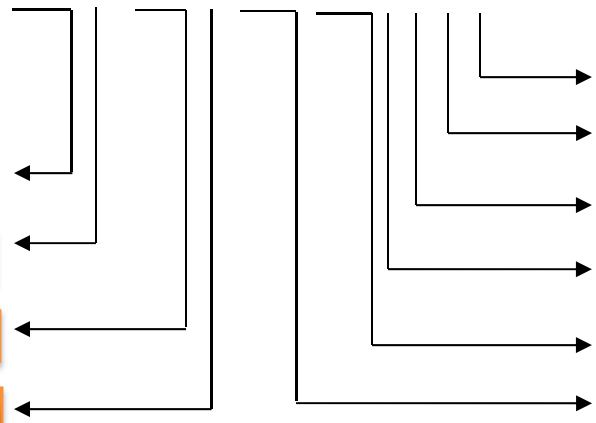
Derating Curve



PART NUMBER SCHEME

LGU-010S***-***PSCD

- L=Led Driver "G" Series
- U = Universal Input 90~264
- 010= Output Power (Watts)
- S= Single Output



- D= 0-10V Analog Dimming
P= PWM Dimming
- C= Constant Current
- S=Class II, 2 Wire Input
- P= Plastic Case
- ***= Current
- ***= Max Voltage

SPECIFICATIONS ARE SUBJECT TO CHANGE WITHOUT NOTICE. AUTEK IS NOT RESPONSIBLE FOR ISSUES ARISING FROM ERRORS OR OMMISIONS

