

FEATURES
5W Wallmount USB Output Power Supply
WM05L-IUSB Series

- High Efficiency (Up to 86%)
- Constant Voltage
- Class 2 Output (See Notes)
- Level V Efficiency
- Compact Design
- Short Circuit, Over Voltage and Overload Protection
- UL/cUL 60950, EN60950 and CB Certified
- RoHS Compliant


SPECIFICATION

Model		WM05L-05-A-IUSB	WM05L-05-B-IUSB	WM05L-05-C-IUSB	WM05L-05-D-IUSB
Output	Rated Voltage (1)	5V			
	Rated Power	5W			
	Ripple & Noise (2)	120mVp-p			
	Current Range	0-1A			
	Total Regulation	+/- 5%			
	Overshoot/Undershoot	10%			
	Turn On Delay (Max.)	3s			
	Hold-up Time	10ms @ 115Vac/60Hz max. load & 20ms @ 230Vac/50Hz			
Input	Voltage Range	100 ~ 250 Vac			
	Frequency Range	47Hz ~ 63Hz			
	Efficiency	68.17% (Min.)			
	Inrush Current	30A (At 230Vac input 25°C Cold Start.)			
	AC Current (Typ.)	0.3 A / 100 VAC			
Protections	Short Circuit	Hiccup mode, no damage shall occur and the power supply shall restart when the fault condition is removed			
	Over Voltage	Hiccup mode, the power supply shall restart when the fault condition is removed			
	Overload	Hiccup mode, at 150% (Max.) rated load and the power supply shall restart when the fault condition is removed			
Environment	Temperature Range	Operational	0°C ~ 40°C		
		Storage	- 20 ~ +85°C		
	Humidity	Operational	20% ~90% R.H		
		Storage	20% ~90% R.H		
Safety & EMC	Safety Standards	UL/cUL60950, IEC 60950, CE, GS, SAA, C-TICK, CISPR22 Class B and FCC part 15 Class B			
	No load Power Dissipation	< 0.3W			
	Insulation Resistance	Input to output: Min. 50M OHM at 500 VDC.			
	Dielectric Strength	Primary to Secondary: DC 4242 V , 3.5mA Max , for 3 seconds (1 minute in DVT)			
	Conducted & Radiated EMI	EN 55022 Class B			
	Harmonic Current	EN 61000-3-2			
	EMS	EN 61000-4-2 (3), EN 61000-4-3 (4), EN 61000-4-4 (5), EN 61000-4-5 (6), EN 61000-4-6 (7), EN 61000-4-8 (8), EN 61000-4-11 (9), (See notes below)			



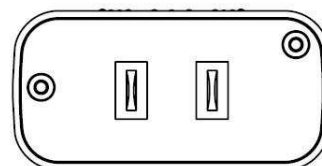
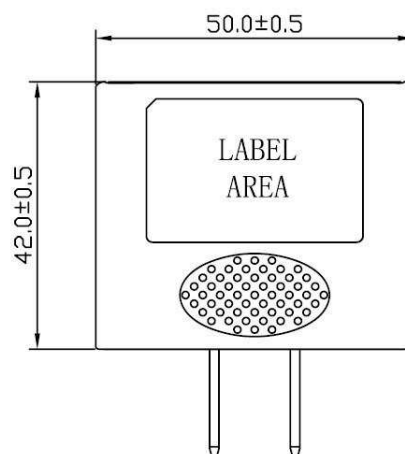
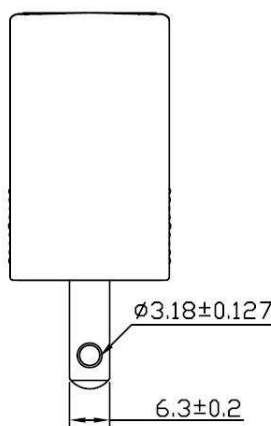
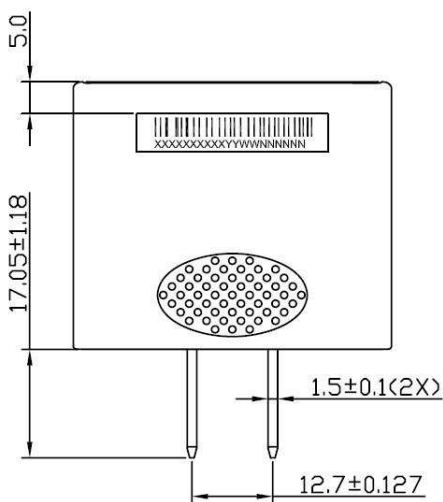
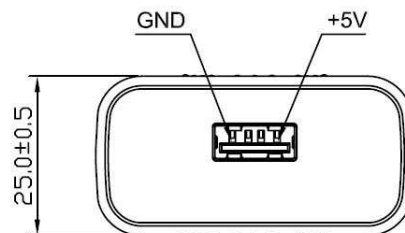
Others	MTBF	100,000 hours (Measured at 110Vac input, 80% Load and 25°C ambient temperature (Telcordia SR-332).))
	Burn-in	4 Hours (Min.) at 40C (+/-5%) at full load
	Dimension (L*W*H)	42 × 50 × 25 mm (+/-0.5mm) – 1.65 × 1.96 × 0.98 inch
	Weight	45 g (+/-10)
	RoHS	Complies with EU Directive 2011/65/EU
	WEEE	Complies with EU Directive 2002/96/EC
	REACH	Complies with REACH documentation requirements.
	EISA 2007	Complies with requirements for external power supplies.
	EU	Complies with EU Code of Conduct on external power supplies
	EuP Lot 7	Complies with Eco-design of EuP Lot 7 on external power supplies.

Notes

1. Output voltage tolerance +/-5%
2. Max., Measuring is done by 20MHz bandwidth oscilloscope and terminated each output with a 22uF aluminum electrolytic capacitor and a 0.1uF ceramic capacitor. Full load, 25C ambient temperature at 115Vac and 230 Vac.
3. Electrostatic Discharge (ESD) Static – discharge test by contact or air should be conducted with Static – discharge teeter, energy storage capacitance of 150pF, and discharge resistance of 330Ω. 8KV air discharge, 4KV contact discharge, Performance Criterion B.
4. RADIATED ELECTROMAGNETIC FIELDS(RS) Radio- frequency Electromagnetic Field Susceptibility Test, RS, 80-1000MHz, 3V/m, 80%AM(1KHz), Performance Criterion A.
5. Electrical Fast Transient / Burst (EFT) Power Line to Line: 1KV Performance Criterion B.
6. Lightning Surge Attachment Lightning Surge voltage of differential and common modes shall be applied across AC input lines and across input and frame ground. Power Line to Line: 1KV Line to Earth : 2KV Performance Criterion B.
7. CONDUCTED RADIO FREQUENCY DISTURBANCES(CS) Conducted Radio Frequency Disturbances Test, CS, 0.15-80 MHz, 3Vrms, 80%AM, 1KHz, Performance Criterion A.
8. POWER FREQUENCY MAGNETIC FIELD Power Frequency Magnetic Field Test, 50Hz, 3A/m Performance Criterion A.
9. VOLTAGE DIPS/SHORT INTERRUPTION/VARIAIONS Voltage Dips, 30% reduction- 10ms, Performance Criterion B, 60% Reduction – 100ms, Performance Criterion C, Voltage Interruptions>95% Reduction- 5000ms, Performance Criterion C.



Mechanical Specification



NOTE:

1. Case : material(材質):SABIC : SE100X
Color(顏色):Black
2. Outline dimension :L50.0*W25.0*H42.0
3. Input AC pin type : UL
Safety dimensions:Please reference
安規尺寸參考15-COMMON-A001-02
4. Output : Connector: USB
5. Weight : about 42g
6. Barcode label:XXXXXXXXXXYYWWNNNNNN

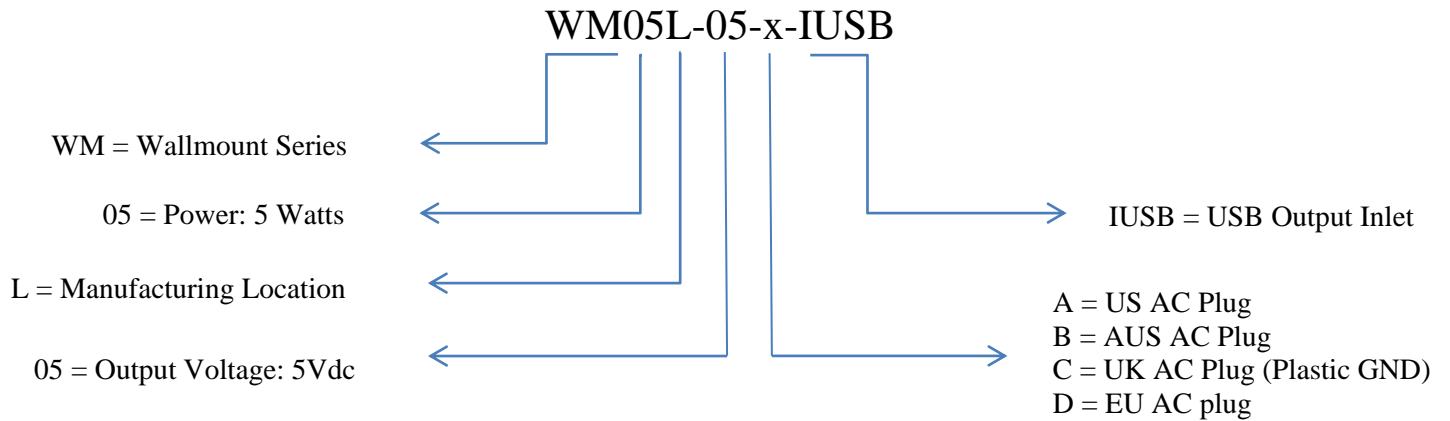


7. TOLERANCE AS FOLLOW UNLESS OTHERWISE SPECIFIED.

DIMENSION(MM)	0-6	6-30	30-100	120-250	250-400
TOLERANCE(MM)	± 0.15	± 0.2	± 0.25	± 0.5	± 1.0



PART NUMBER SCHEME



SPECIFICATIONS ARE SUBJECT TO CHANGE WITHOUT NOTICE

AUTEC IS NOT RESPONSIBLE FOR ISSUES ARISING FROM ERRORS OR OMMISIONS

