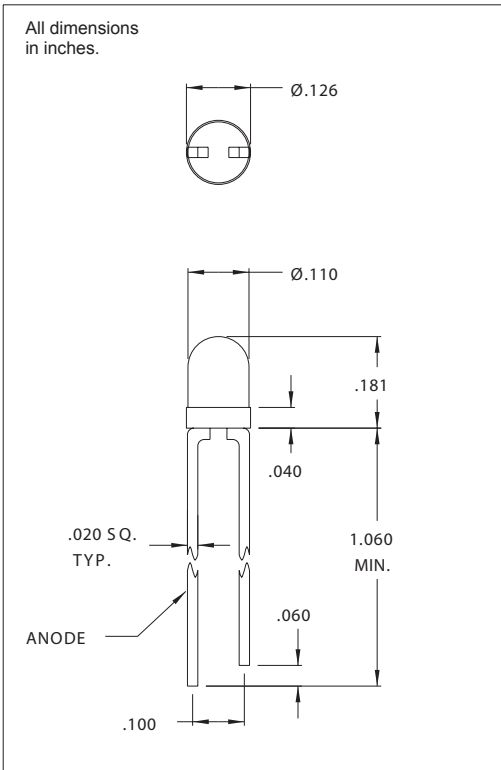


## T-1 Resistor LED Lamps

### Description and Features



These T-1 LED lamps contain an integral resistor in series with the emitter chip to allow their direct application into 5 and 12 volt circuits. No external current limiting resistor is required. These lamps allow for savings in both component and assembly cost. These LEDs are compatible with all conventional soldering techniques.

## Electro-Optical Characteristics and Ratings

| Part Number     | Emitted Color | Lens Color | Package Type | Luminous Intensity |            |      | Forward Voltage |          |      | Viewing Angle (degrees) | Peak Wavelength (nm) |
|-----------------|---------------|------------|--------------|--------------------|------------|------|-----------------|----------|------|-------------------------|----------------------|
|                 |               |            |              | Min. (mcd)         | Typ. (mcd) | Vf   | Typ. (V)        | Max. (V) | Vf   |                         |                      |
| CMD264-3ID/HV5  | H.E. Red      | Red        | Diffused     | 9.0                | 13.0       | 5.0  | 10.0            | 15.0     | 5.0  | 40                      | 635                  |
| CMD264-3GD/HV5  | Green         | Green      | Diffused     | 8.0                | 12.0       | 5.0  | 10.0            | 15.0     | 5.0  | 40                      | 565                  |
| CMD264-3YD/HV5  | Yellow        | Yellow     | Diffused     | 6.0                | 9.0        | 5.0  | 10.0            | 15.0     | 5.0  | 40                      | 585                  |
| CMD264-3ID/HV12 | H.E. Red      | Red        | Diffused     | 9.0                | 13.0       | 12.0 | 10.0            | 20.0     | 12.0 | 40                      | 635                  |
| CMD264-3GD/HV12 | Green         | Green      | Diffused     | 8.0                | 12.0       | 12.0 | 10.0            | 20.0     | 12.0 | 40                      | 565                  |
| CMD264-3YD/HV12 | Yellow        | Yellow     | Diffused     | 6.0                | 9.0        | 12.0 | 10.0            | 20.0     | 12.0 | 40                      | 585                  |

## Absolute Maximum Ratings

|                                    | 5.0V            | 12.0V            | Units   |
|------------------------------------|-----------------|------------------|---------|
| Operating/Storage Temperature..... | -40 to +85..... | -40 to + 85..... | °C      |
| Reverse Voltage (IR=100µA).....    | 5.0.....        | 5.0.....         | V       |
| Lead Solder Time @ 260°C.....      | 5.....          | 5.....           | seconds |
| D.C. Forward Voltage.....          | 7.5.....        | 15.0.....        | V       |