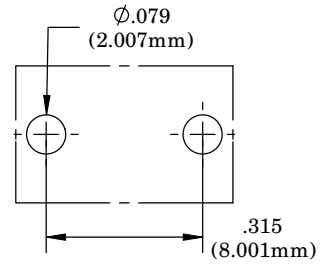
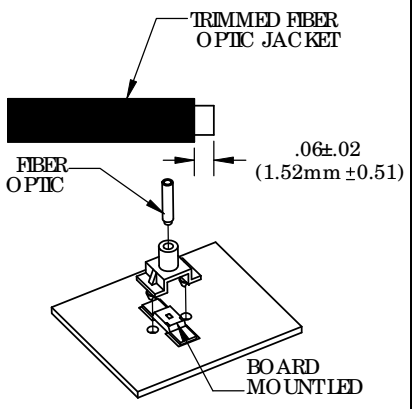
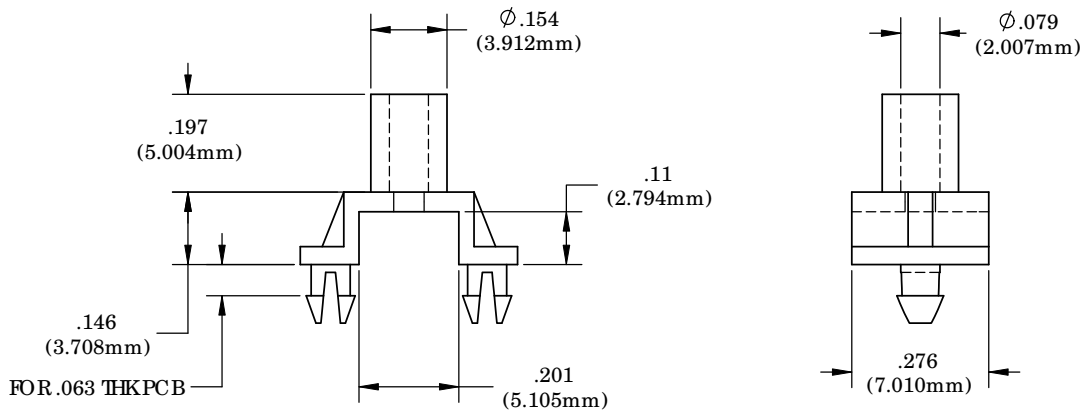


8 7 6 5 4 3 2 1

- NOTES**
1. ROHS COMPLIANT
 2. -40°C TO 85°C OPERATING TEMPERATURE
 3. SUITABLE FOR LIGHT PIPE WITH Ø 2.2MM JACKET AND OPTICAL CORE NO GREATER THAN Ø 1.5MM.
 4. DO NOT INSTALL PRIOR TO SOLDERING
 5. FOR BEST RESULTS USE ONLY NARROW VIEWING ANGLE NON-DIFFUSED LEDS WITH OUTPUT POWER GREATER THAN 100mc d

REVISIONS				
ECN #	REV	DESCRIPTION	DATE	INITIALS
177	001	INITIAL RELEASE	8/3/10	KH
200	002	REVISED PER ECR 100610KH010	10/6/10	KH



<small>UNLESS OTHERWISE SPECIFIED DIMENSIONS ARE IN INCHES</small> ANGLES DECIMALS $\pm 1/2^\circ$.X $\pm .020$ FINISH .XXX $\pm .010$.XXX $\pm .005$ 125° BREAK ALL CORNERS AND SHARP EDGES (R1.5)	MATERIAL NYLON 6/6, BLACK UL 94-V2		VISUAL COMMUNICATIONS COMPANY, INC. 190 Bosstick Boulevard, Suite 101 San Marcos, CA 92069 USA Phone (760) 560-1300 Fax (760) 560-1301 email vccsales@vccite.com		
	FINISH SEE NOTES		TITLE: SURFACE MOUNT LED MOUNT		
	APPROVAL DATE DRAWN KH 8/3/10 CHECKED DPZ 8/10/10		SIZE B	DWG. NO. SMD 22	REV 002
	DO NOT SCALE DRAWING		SCALE: 4:1		SHEET 1 OF 1

8 7 6 5 4 3 2 1