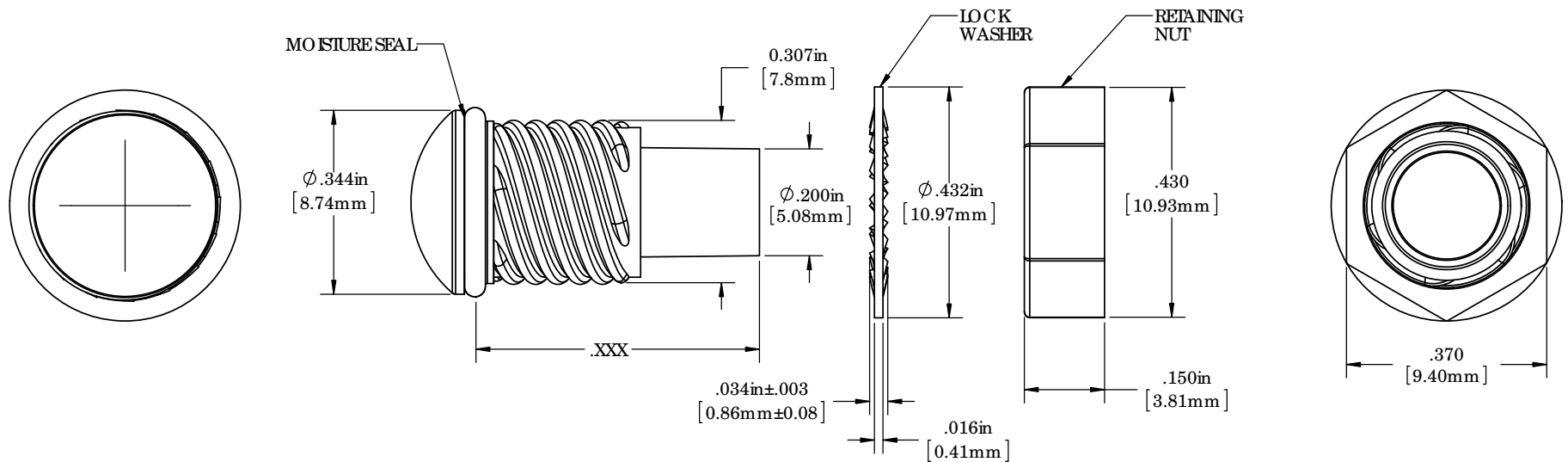
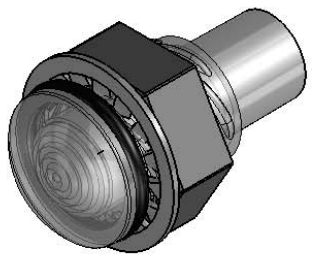


8 7 6 5 4 3 2 1

**NOTES:**

1. MOUNTING: Mounts in a  $\phi .312 \pm .002$  ( $\phi 7.92\text{mm} \pm 0.051$ ) panel hole on .500 (12.7mm) centers. Panel thickness .031 (.8mm) to .125 (3.18mm). Panel hole shall be deburred, but not chamfered.
2. ASSEMBLY: Insert Litepipe through the panel hole, slide lock washer onto lens barrel on litepipe and twist on retaining ring. Slide PCB into position aligning LED with the end of the Litepipe unit.
3. MATERIAL: Litepipe - Acrylic ( Clear optical grade) UL 94-HB  
 Lens - Polycarbonate UL 94-V2  
 Seal - EPDM  
 Lock washer - FH Steel, Nickel Plate  
 Retaining Nut - Thermoplastic (white) UL 94-V0
4. Meets NEMA 6P/IP 67 standards
5. U.S. & Foreign Pat. Issued

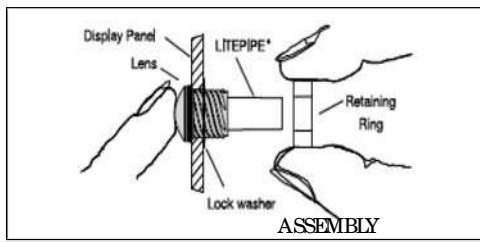
REVISIONS					
ECN #	REV.	DESCRIPTION	DATE	INITIALS	CHKD
	001	REVISED PER ECR 111009AZD1	8/18/10	KH	DZ
	002	MODIFIED GENERAL TOLERANCE XX	11/29/11	KH	AZ



ORDERING CODE: **LCS XXX XXX**

LITEPIPE	
XXX =	LENGTH
032	.320"
052	.520"
072	.720"
092	.92"
112	1.12"
132	1.32"
CUSTOM LENGTHS AVAILABLE UPON REQUEST	

LENS	
XXX =	COLOR
RIP	RED TRANSPARENT
ATP	AMBER TRANSPARENT
GTP	GREEN TRANSPARENT
BTP	BLUE TRANSPARENT
YTP	YELLOW TRANSPARENT
CTP	CLEAR TRANSPARENT



APPROVAL	DATE
DRAWN KHOWARD	8/18/10
CHECKED DPZ	8/19/10
MATERIAL	
SEE NOTES	
FINISH	
SEE NOTES	
DO NOT SCALE DRAWING	

**VCC OPTOELECTRONICS**  
 190 BOSCH BLVD, SUITE 101 SAN MARCOS, CA 92069 USA  
 PHONE: (760) 560-1300, FAX: (760) 560-1301 EMAIL: vccsales@vcc-llc.com

TITLE: **5MM THREADED MOISTURE SEALED LITEPIPE**

SIZE DWG. NO. REV  
**B** LCS XXX XXX 002

SCALE: 5:1 SHEET 1 OF 1

8 7 6 5 4 3 2 1