

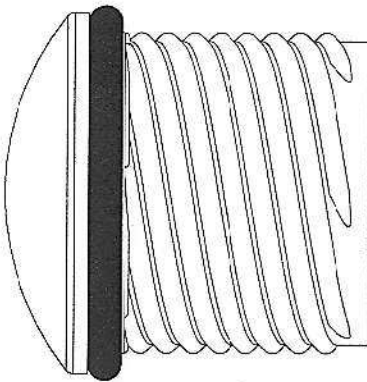
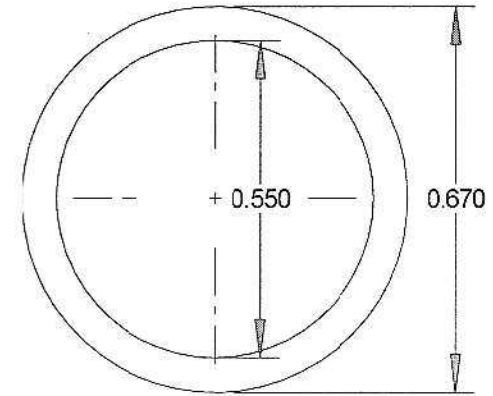
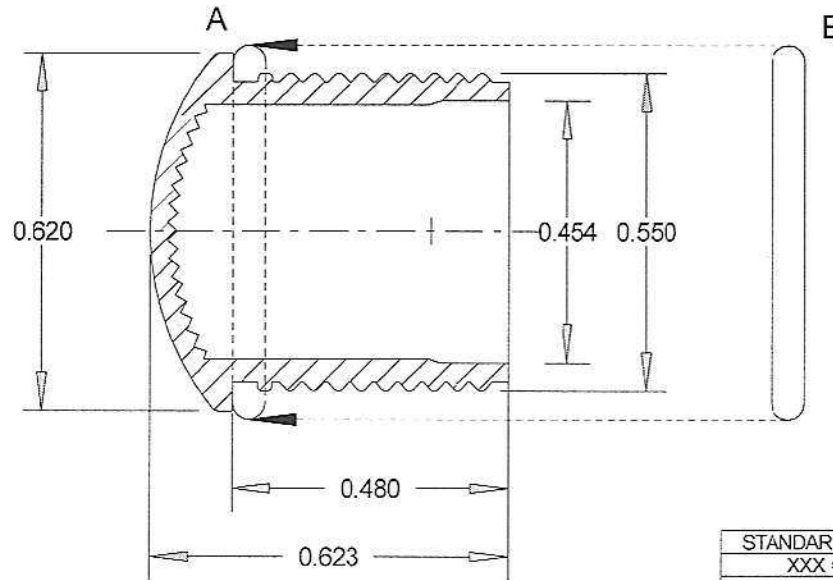
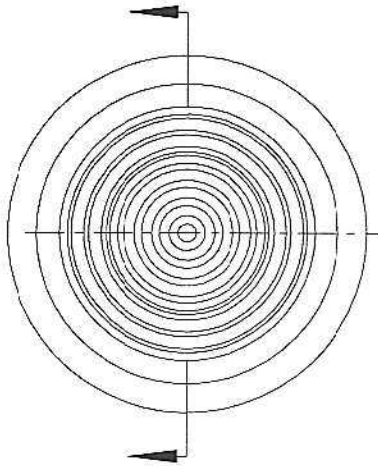
462 XXX

APPROVAL

DATE

DS

9/19/07



STANDARD COLORS	Color
XXX = RTP	RED
GTP	GREEN
ATP	AMBER
YTP	YELLOW
CTP	CLEAR
BTP	BLUE

BILL OF MATERIALS

ITEM	P/N	DESCRIPTION	COLOR	LENGTH/(QTY)
A	461 XXX	10mm THREADED LED LENS	XXX	(1)
B	HLS462BLK	10mm MOISTURE SEAL GROMMET	BLACK	(1)

U.S. & Foreign Pat. Issued & Pend.

REVISIONS			
NO	DESCRIPTION	DATE	BY
1			
2			
3			
4			
5			
6			

CLIPLITE® 462 XXX 10mm LENS w/ SEAL

VCC VISUAL COMMUNICATIONS COMPANY, INC.
 190 Bosstick Blvd, Ste. 101 San Marcos, California 92069 U.S.A.
 Phone (760) 560-1300 Fax (760) 560-1301 e-mail vccsales@vcdite.com

TOLERANCES	SCALE	N/A	DATE	09/19/07	DRAWING NO.	REV.
DECIMAL ±.004	DIAMETER .003 TIR		DRAWN BY	SK	462XXX	
ANGLE ± 30'	RADI .008 Max	CHK'D				