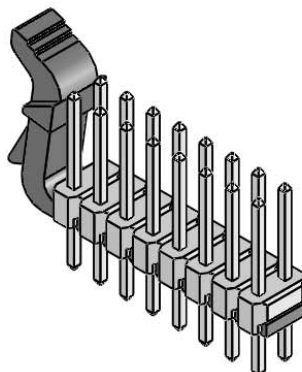
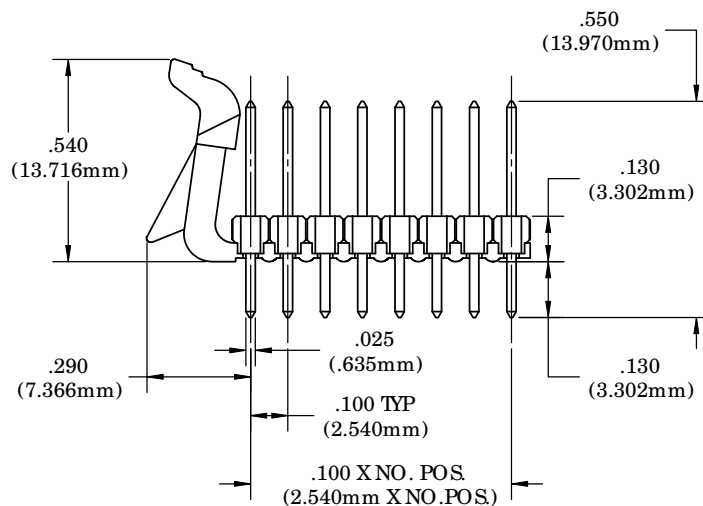
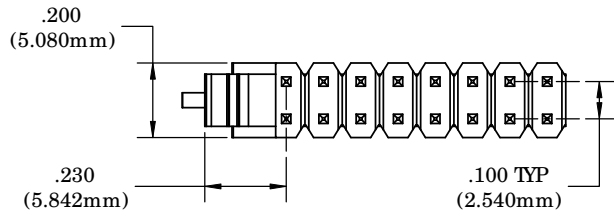


NOTES:

1. MATERIAL: BODY - THERMOPLASTIC (BLACK), UL 94-V0 RATING
LEVER - THERMOPLASTIC NYLON 6-6 FOR FLEXIBILITY, UL 94-V2 RATING
PINS - PHOSPHOR BRONZE .025" SQUARE TIN PLATE
2. SPACING: DUAL ROW, 4 TO 16 CIRCUITS ON .100 X .100 CENTERS
3. HEADER: MATES WITH VCC, 450 4XX SERIES, FEMALE LOCKING CONNECTOR



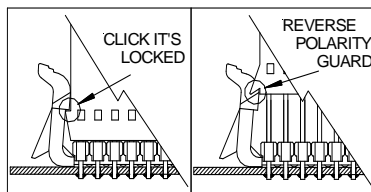
REVISIONS				
ECN #	REV	DESCRIPTION	DATE	INITIALS
	001	REVISED PER ECR 111009AZ01	9/13/10	KH



ORDERING CODE **CNX VXX DRT**

PIN CONFIGURATION	
V =	VERTICAL
XX =	# OF CIRCUITS
04	2x2
06	2x3
08	2X4
10	2X5
12	2X6
14	2X7
16	2X8

STYLE	
DR	DUAL ROW
T	TIN PLATE



<small>UNLESS OTHERWISE SPECIFIED DIMENSIONS ARE IN INCHES - TOLERANCES</small> ANGLES DECIMALS 1° X ±.003 XX ±.010 FINISH XXX ±.005 <small>BREAK ALL CORNERS AND SHARP EDGES (R1/16)</small>	MATERIAL	SEE NOTES		VISUAL COMMUNICATIONS COMPANY, INC. 190 Bosstick Boulevard, Suite 101 San Marcos, CA 92069 USA Phone (760) 560-1300 Fax (760) 560-1301 Email: vccsales@vccite.com	
	FINISH N/A	APPROVAL DRAWN K.Howard CHECKED DPZ		DATE 9/13/10 9/20/10	TITLE: CNXRITE DUAL ROW POSITIVE LOCKING HEADER
<small>THIRD ANGLE PROJECTION</small> <small>THE INFORMATION CONTAINED IN THIS DRAWING IS THE SOLE PROPERTY OF VISUAL COMMUNICATIONS COMPANY, INC. AND IS LOANED TO YOU AS A SINGLE REFERENCE TO THE DRAWING ONLY. VISUAL COMMUNICATIONS COMPANY, INC. IS NOT RESPONSIBLE FOR ANY REPRODUCTION OR MODIFICATION OF THIS DRAWING.</small>	DO NOT SCALE DRAWING		SIZE B	DWG. NO. CNX VXX DRT	REV 001
			SCALE: 3:1		SHEET 1 OF 1