

# Snapfit Indicator Lights for 1-3/16" x 5/8" Mounting Hole

## 47 SERIES

- RECTANGULAR INDICATOR LIGHTS FOR 1-3/16" X 5/8" MOUNTING HOLE
- TWO 6" WIRE LEADS, SOLDER LUGS OR 1/4" TAB TERMINALS
- NEON OR INCANDESCENT
- VARIETY OF LENS COLORS
- UL AND CSA RECOGNIZED • UL FILE E20356 • CSA FILE LR15284-7

### Overview

The 47 Series large format rectangular indicator lights feature a one piece construction with a low profile lens for minimum front panel protection. Indicator lights quickly snapfit into a 1-3/16" x 5/8" (30.16 - 15.87mm) mounting hole with recommended panel thickness range of 0.020" minimum to 0.110" maximum. Lenses may be customized with stamped message. Contact your customer service representative for specific ordering information.

### Specifications

**Base:** phenolic.

**Lens/Housing:** nylon. Lenses may be customized with stamped message.

**Incandescent AC or DC voltage options:** 6, 14 and 28 volts.

**Neon AC or DC voltage options:** 125 and 250 volts.  
**Note:** high brightness green and blue neon lamps supplied in green and blue neon applications.

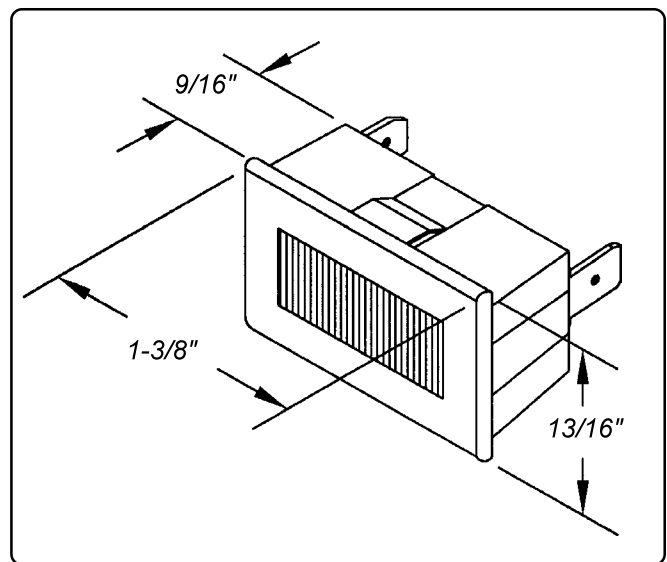
**Wire leads:**

**6" leads:** #18 AWG, black, bare copper, PVC insulated, UL/CSA rated 105° C, stripped 1/2". Custom wire lengths, stripping, termination and wire types are available.

**Terminals:**

**Solder lugs:** tinned brass, (3/32" length x 0.015" thick) with wire holes (0.043" DIA.).

**1/4" tabs:** brass, (1/4" length x 0.031" thick).



### Can't find it here? We have many more standard and custom solutions

The items in this product sheets are only a small representative sample of the complete VCC product line. We manufacture many additional products which are not shown in this product sheet due to space constraints.

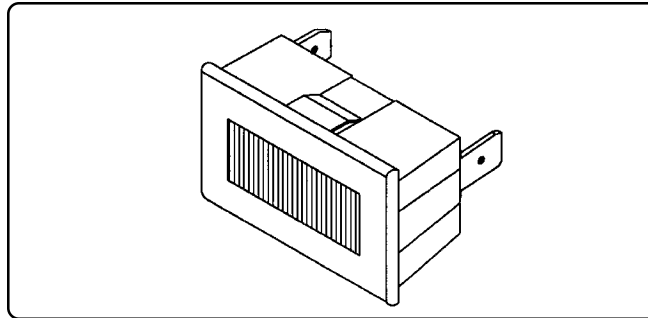
Custom products can also be designed uniquely for you by our Technical Support Professionals. Starting from your ideas and specifications, we work with your personnel to develop timely and cost effective solutions for your miniature lighting needs.

VCC Technical Support Services are provided without charge and may include designs, prototypes and pre-production samples.

**For further information, phone Customer Service at 800.522.5546.**

# Snapfit Indicator Lights for 1-3/16" x 5/8" Mounting Hole

**47 SERIES**  
Large Format  
Indicator Lights  
Neon or  
Incandescent



**6" Wire Leads or  
Solder Lugs or  
1/4" Tab Terminals  
Variety of  
Lens Colors**

Part Number With Solder Lugs	Part Number With Wire Leads	Part Number With 1/4" Terminals	Lens Color	Lamp Type	Design Volts	Design Watts or Amps	Life (hrs)
47-2	47-2M	47-2T	Natural	Neon	125	1/3W	25,000
47H-2	47H-2M	47H-2T	Natural	Neon	250	1/3W	25,000
47G1-2	47G1-2M	47G1-2T	Natural	Incandescent	6	.20A	5,000
47G3-2	47G3-2M	47G3-2T	Natural	Incandescent	14	.10A	10,000
47G18-2	47G18-2M	47G18-2T	Natural	Incandescent	28	.04A	7,000
47-3	47-3M	47-3T	Red	Neon	125	1/3W	25,000
47H-3	47H-3M	47H-3T	Red	Neon	250	1/3W	25,000
47G1-3	47G1-3M	47G1-3T	Red	Incandescent	6	.20A	5,000
47G3-3	47G3-3M	47G3-3T	Red	Incandescent	14	.10A	10,000
47G18-3	47G18-3M	47G18-3T	Red	Incandescent	28	.04A	7,000
47-4	47-4M	47-4T	Green	Neon	125	1/3W	25,000
47H-4	47H-4M	47H-4T	Green	Neon	250	1/3W	25,000
47G1-4	47G1-4M	47G1-4T	Green	Incandescent	6	.20A	5,000
47G3-4	47G3-4M	47G3-4T	Green	Incandescent	14	.10A	10,000
47G18-4	47G18-4M	47G18-4T	Green	Incandescent	28	.04A	7,000
47-5	47-5M	47-5T	Blue	Neon	125	1/3W	25,000
47H-5	47H-5M	47H-5T	Blue	Neon	250	1/3W	25,000
47G1-5	47G1-5M	47G1-5T	Blue	Incandescent	6	.20A	5,000
47G3-5	47G3-5M	47G3-5T	Blue	Incandescent	14	.10A	10,000
47G18-5	47G18-5M	47G18-5T	Blue	Incandescent	28	.04A	7,000
47-9	47-9M	47-9T	Amber	Neon	125	1/3W	25,000
47H-9	47H-9M	47H-9T	Amber	Neon	250	1/3W	25,000
47G1-9	47G1-9M	47G1-9T	Amber	Incandescent	6	.20A	5,000
47G3-9	47G3-9M	47G3-9T	Amber	Incandescent	14	.10A	10,000
47G18-9	47G18-9M	47G18-9T	Amber	Incandescent	28	.04A	7,000

**Can't find it here? We have many more standard and custom solutions**

For further information, phone Customer Service at 800.522.5546.