

Snapfit Indicator Lights for 5/16" Dia. Mounting Hole

39 SERIES

- NYLON HOUSING AND INTEGRAL CONVEX LENS
- NEON, LED & INCANDESCENT • VARIETY OF LENS COLORS
- SNAPFIT MOUNT INTO 5/16" DIA. MOUNTING HOLE
- 6" WIRE LEADS OR 3/16" TAB TERMINALS • 2 TO 250 DESIGN VOLTS
- UL AND CSA LISTED • UL FILE E20356 • CSA FILE LR15284-17

Overview

The 39 Series Indicators feature a one piece housing with a convex lens which is available in a wide variety of voltage options and colors. 39 Series Indicators are designed with built-in mounting ears for a snap fit in a 5/16", (7.93mm) mounting hole. Recommended Panel thickness range .020" minimum to .060" maximum.

Specifications

Convex Lens/Housing: nylon.

Incandescent AC or DC voltage options: 6, 14 and 28 volts.

Neon AC or DC voltage options: 125 and 250 volts.
Note: high brightness green and blue neon lamps supplied in green and blue neon applications.

LED DC voltage options: 2, 6, 12, 24 volts.

LED AC voltage options: 125 volts.

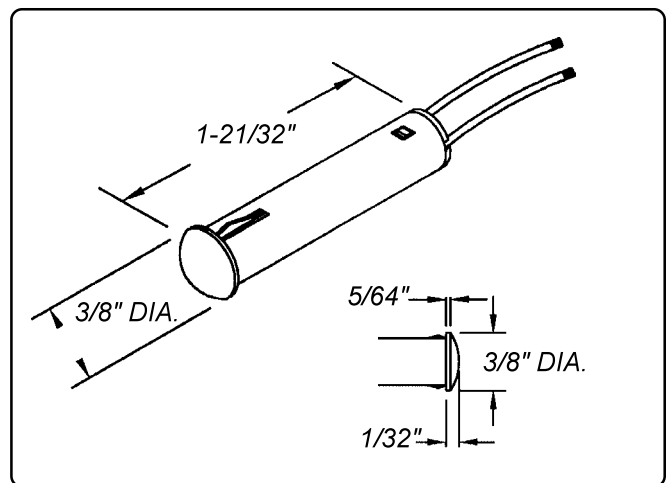
Note: 125 volts AC units contain a bi-polar LED.

Two 6" wire leads: #20 AWG, black, bare copper, PVC insulated, UL/CSA rated 105°C, 600 V, UL style 1015, stripped 1/2". For DC LED units, wire leads are color-coded red and black; the red wire lead denotes the anode (+) while a black wire lead identifies the cathode (-). For AC LED units, wire leads are white. Custom wire lengths, stripping, termination and wire types are available.

Terminals:

3/16" tabs: brass, (0.187" x 0.020"). For DC LED units, a tin plated terminal denotes the anode (+) from the cathode (-) which is not tin plated.

**A Special Order Speednut is available:
8700091688.**



Can't find it here? We have many more standard and custom solutions

The items in this product sheets are only a small representative sample of the complete VCC product line. We manufacture many additional products which are not shown in this product sheet due to space constraints.

Custom products can also be designed uniquely for you by our Technical Support Professionals. Starting from your ideas and specifications, we work with your personnel to develop timely and cost effective solutions for your miniature lighting needs.

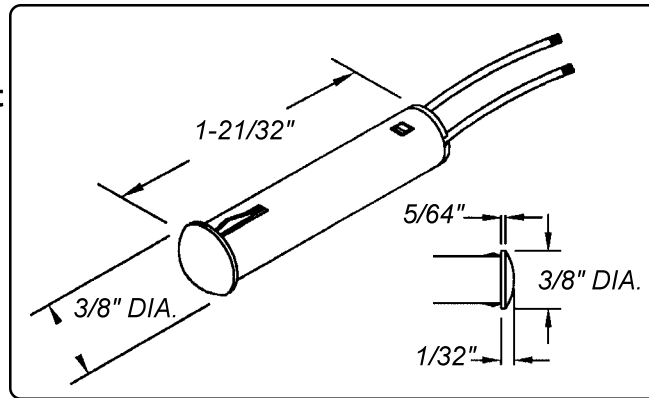
VCC Technical Support Services are provided without charge and may include designs, prototypes and pre-production samples.

For further information, phone Customer Service at 800.522.5546.

Snapfit Indicator Lights for 5/16" Dia. Mounting Hole

39 SERIES

Integral Convex Lens
Neon & Incandescent
6 to 250 Design Volts
5/16" Mounting Hole

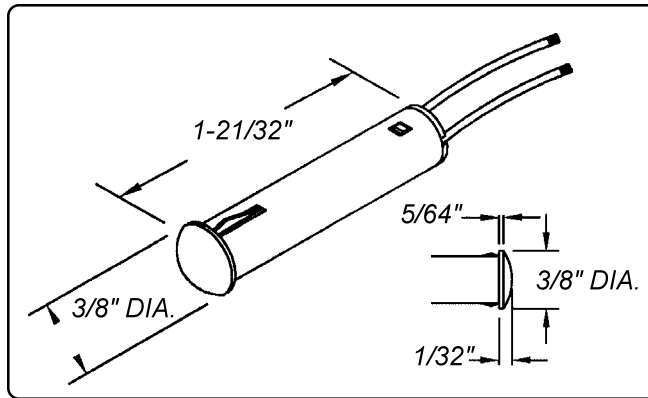


6" Wire Leads or
3/16" Tab Terminals
Mounting Ears
Variety of
Lens Colors

Part Number 6" Wire Leads	Part Number 3/16" Tab Terminals	Lens Color	Lamp Type	Design Volts	Design Watts or Amps	Life (hrs)
39-0381	39-0381T	Red	Neon	125	1/3W	25,000
39H-0381	39H-0381T	Red	Neon	250	1/3W	25,000
39G1-0381	39G1-0381T	Red	Incandescent	6	.20A	5,000
39G3-0381	39G3-0381T	Red	Incandescent	14	.10A	10,000
39G18-0381	39G18-0381T	Red	Incandescent	28	.04A	7,000
39-0382	39-0382T	Green	Neon	125	1/3W	25,000
39H-0382	39H-0382T	Green	Neon	250	1/3W	25,000
39G1-0382	39G1-0382T	Green	Incandescent	6	.20A	5,000
39G3-0382	39G3-0382T	Green	Incandescent	14	.10A	10,000
39G18-0382	39G18-0382T	Green	Incandescent	28	.04A	7,000
39-0383	39-0383T	Amber	Neon	125	1/3W	25,000
39H-0383	39H-0383T	Amber	Neon	250	1/3W	25,000
39G1-0383	39G1-0383T	Amber	Incandescent	6	.20A	5,000
39G3-0383	39G3-0383T	Amber	Incandescent	14	.10A	10,000
39G18-0383	39G18-0383T	Amber	Incandescent	28	.04A	7,000
39-0384	39-0384T	Blue	Neon	125	1/3W	25,000
39H-0384	39H-0384T	Blue	Neon	250	1/3W	25,000
39G1-0384	39G1-0384T	Blue	Incandescent	6	.20A	5,000
39G3-0384	39G3-0384T	Blue	Incandescent	14	.10A	10,000
39G18-0384	39G18-0384T	Blue	Incandescent	28	.04A	7,000
39-0385	39-0385T	White	Neon	125	1/3W	25,000
39H-0385	39H-0385T	White	Neon	250	1/3W	25,000
39G1-0385	39G1-0385T	White	Incandescent	6	.20A	5,000
39G3-0385	39G3-0385T	White	Incandescent	14	.10A	10,000
39G18-0385	39G18-0385T	White	Incandescent	28	.04A	7,000
39-0387	39-0387T	Clear	Neon	125	1/3W	25,000
39H-0387	39H-0387T	Clear	Neon	250	1/3W	25,000
39G1-0387	39G1-0387T	Clear	Incandescent	6	.20A	5,000
39G3-0387	39G3-0387T	Clear	Incandescent	14	.10A	10,000
39G18-0387	39G18-0387T	Clear	Incandescent	28	.04A	7,000

Snapfit Indicator Lights for 5/16" Dia. Mounting Hole

L39 SERIES
LED Indicator Lights
Integral Convex Lens
2 to 125 Design Volts



**6" Wire Leads or
3/16" Tab Terminals**
**Variety of
Lens Colors**

Part Number 6" Wire Leads	Part Number 3/16" Terminals	Lens Color	DC Design Volts * AC Design Volts
L39-A2-0383	L39-A2-0383T	Amber	2
L39-A6-0383	L39-A6-0383T	Amber	6
L39-A12-0383	L39-A12-0383T	Amber	12
L39-A24-0383	L39-A24-0383T	Amber	24
L39-A125-0383	N/A	Amber	125 *
L39-G2-0382	L39-G2-0382T	Green	2
L39-G6-0382	L39-G6-0382T	Green	6
L39-G12-0382	L39-G12-0382T	Green	12
L39-G24-0382	L39-G24-0382T	Green	24
L39-G125-0382	N/A	Green	125 *
L39-R2-0381	L39-R2-0381T	Red	2
L39-R6-0381	L39-R6-0381T	Red	6
L39-R12-0381	L39-R12-0381T	Red	12
L39-R24-0381	L39-R24-0381T	Red	24
L39-R125-0381	N/A	Red	125 *
L39-Y2-0386	L39-Y2-0386T	Yellow	2
L39-Y6-0386	L39-Y6-0386T	Yellow	6
L39-Y12-0386	L39-Y12-0386T	Yellow	12
L39-Y24-0386	L39-Y24-0386T	Yellow	24
L39-Y125-0386	N/A	Yellow	125 *

Polarity Determination

6" Wire Leads: Red wire lead denotes anode (+); black wire lead denotes cathode (-).

3/16" Terminals: One terminal is tin-plated to denote anode (+); unplated terminal refers to cathode (-).