

Snapfit Indicator Lights for 1.282" x .8125" Mounting Hole

31ML-2 SERIES

- RECTANGULAR INDICATOR LIGHTS FOR 1.281" X 0.8125" MOUNTING HOLE
- 6" WIRE LEADS OR 3/16" OR 1/4" TAB TERMINALS
- NEON OR INCANDESCENT INDICATOR LIGHTS
- VARIETY OF LENS COLORS
- UL AND CSA LISTED • UL FILE E20356 • CSA FILE LR15284-5,8,12,17

Overview

The 31ML-2 Series Rectangular indicators feature a wide variety of lens colors and voltage options. Indicators quickly snap fit into a 1.281" x .8125" (32.54mm x 20.62mm) mounting hole with a recommended panel thickness range of 0.020" minimum to 0.090" maximum. Lenses may be customized with stamped message. Contact your customer service representative for specific ordering information.

Specifications

Housing: white nylon. A black housing is available.

Bezel: zinc plated steel. A black anodized bezel is available.

Lens: polycarbonate. Lenses may be customized with stamped message.

Incandescent AC or DC voltage options: 6, 14 and 28 volts.

Neon AC or DC voltage options: 125 and 250 volts.

Note: high brightness green and blue neon lamps supplied in green and blue neon applications.

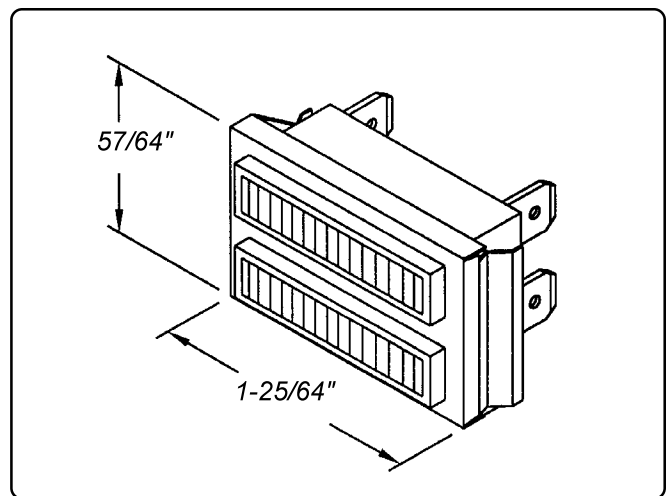
Wire leads:

6" leads: #18 AWG, black, bare copper, PVC insulated, UL/CSA rated 105° C, stripped 1/2". Custom wire lengths, stripping, termination and wire types are available.

Terminals:

1/4" tabs: brass, (1/4" length x 0.030" thick).

3/16" tabs: brass, (3/16" length x 0.020" thick).



Can't find it here? We have many more standard and custom solutions

The items in this product sheets are only a small representative sample of the complete VCC product line. We manufacture many additional products which are not shown in this product sheet due to space constraints.

Custom products can also be designed uniquely for you by our Technical Support Professionals. Starting from your ideas and specifications, we work with your personnel to develop timely and cost effective solutions for your miniature lighting needs.

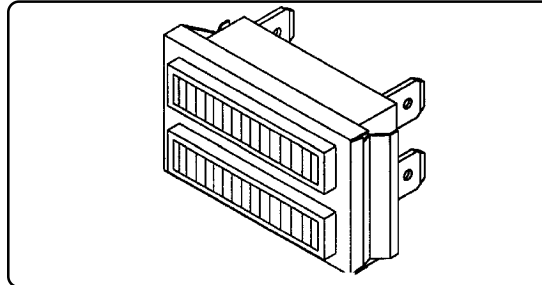
VCC Technical Support Services are provided without charge and may include designs, prototypes and pre-production samples.

For further information, phone Customer Service at 800.522.5546.

Snapfit Indicator Lights for 1.282" x .8125" Mounting Hole

31ML-2 SERIES

Dual Indicators
Single Color Lenses
Variety of Lens Colors
Neon or
Incandescent



6" Wire Leads or
3/16" Tab Terminals or
1/4" Tab Terminals
White Nylon Housing
Zinc Plated Bezel
SnapFit Mounting

Part Number 6" Wire Leads	Part Number 1/4" Tab Terminals	Part Number 3/16" Tab Terminals	Lens Color Top/Bottom	Lamp Type	Design Volts	Design Watts or Amps	Life (hrs)
31M-2111/1	31M-2111/1T	31M-2111/1T3	Red	Neon	125	1/3W	25,000
31MH-2111/1	31MH-2111/1T	31MH-2111/1T3	Red	Neon	250	1/3W	25,000
31MG1-2111/1	31MG1-2111/1T	31MG1-2111/1T3	Red	Incandescent	6	.20A	5,000
31MG3-2111/1	31MG3-2111/1T	31MG3-2111/1T3	Red	Incandescent	14	.10A	10,000
31MG18-2111/1	31MG18-2111/1T	31MG18-2111/1T3	Red	Incandescent	28	.04A	7,000
31M-2112/2	31M-2112/2T	31M-2112/2T3	Green	Neon	125	1/3W	25,000
31MH-2112/2	31MH-2112/2T	31MH-2112/2T3	Green	Neon	250	1/3W	25,000
31MG1-2112/2	31MG1-2112/2T	31MG1-2112/2T3	Green	Incandescent	6	.20A	5,000
31MG3-2112/2	31MG3-2112/2T	31MG3-2112/2T3	Green	Incandescent	14	.10A	10,000
31MG18-2112/2	31MG18-2112/2T	31MG18-2112/2T3	Green	Incandescent	28	.04A	7,000
31M-2113/3	31M-2113/3T	31M-2113/3T3	Amber	Neon	125	1/3W	25,000
31MH-2113/3	31MH-2113/3T	31MH-2113/3T3	Amber	Neon	250	1/3W	25,000
31MG1-2113/3	31MG1-2113/3T	31MG1-2113/3T3	Amber	Incandescent	6	.20A	5,000
31MG3-2113/3	31MG3-2113/3T	31MG3-2113/3T3	Amber	Incandescent	14	.10A	10,000
31MG18-2113/3	31MG18-2113/3T	31MG18-2113/3T3	Amber	Incandescent	28	.04A	7,000
31M-2114/4	31M-2114/4T	31M-2114/4T3	Blue	Neon	125	1/3W	25,000
31MH-2114/4	31MH-2114/4T	31MH-2114/4T3	Blue	Neon	250	1/3W	25,000
31MG1-2114/4	31MG1-2114/4T	31MG1-2114/4T3	Blue	Incandescent	6	.20A	5,000
31MG3-2114/4	31MG3-2114/4T	31MG3-2114/4T3	Blue	Incandescent	14	.10A	10,000
31MG18-2114/4	31MG18-2114/4T	31MG18-2114/4T3	Blue	Incandescent	28	.04A	7,000
31M-2115/5	31M-2115/5T	31M-2115/5T3	White	Neon	125	1/3W	25,000
31MH-2115/5	31MH-2115/5T	31MH-2115/5T3	White	Neon	250	1/3W	25,000
31MG1-2115/5	31MG1-2115/5T	31MG1-2115/5T3	White	Incandescent	6	.20A	5,000
31MG3-2115/5	31MG3-2115/5T	31MG3-2115/5T3	White	Incandescent	14	.10A	10,000
31MG18-2115/5	31MG18-2115/5T	31MG18-2115/5T3	White	Incandescent	28	.04A	7,000
31M-2117/7	31M-2117/7T	31M-2117/7T3	Clear	Neon	125	1/3W	25,000
31MH-2117/7	31MH-2117/7T	31MH-2117/7T3	Clear	Neon	250	1/3W	25,000
31MG1-2117/7	31MG1-2117/7T	31MG1-2117/7T3	Clear	Incandescent	6	.20A	5,000
31MG3-2117/7	31MG3-2117/7T	31MG3-2117/7T3	Clear	Incandescent	14	.10A	10,000
31MG18-2117/7	31MG18-2117/7T	31MG18-2117/7T3	Clear	Incandescent	28	.04A	7,000