

Midget Grooved 25 SERIES

- MIDGET GROOVED NON-GROUNDED OR GROUNDED LAMPHOLDERS
- TIN PLATED STEEL SHELL
- 6" WIRE LEADS, PRINTED CIRCUIT BOARD OR SOLDER LUG TERMINALS
- MAXIMUM RATING: 15 WATTS, 28 VOLTS

Overview

The 25 Series midget grooved lampholders are constructed with a tin plated steel shell and 6" wire leads, solder lug terminals or printed circuit board terminals. Most lampholders can be supplied as either non-grounded or grounded units. Non-grounded units are supplied with two tinned solder lug terminals or two wire leads. Grounded units are supplied with one solder lug terminal or one wire lead, unless otherwise noted. Many bracket and mounting options are available including a 3/8" mounting hole plug button and a threaded bushing for 17/64" mounting hole. Lampholders are designed for use in low voltage applications with midget grooved lamps.

Specifications

Shell: tin plated steel; also available in nickel plated steel.

Terminals:

Solder lug: tinned copper, 3/32" length x 0.015" thick with two wire holes 3/64" in diameter. Non-grounded units are supplied with two terminals. Grounded units are supplied with one terminal.

Printed circuit board solder terminals: tinned steel.

Wire leads: 6" Leads: #26 AWG, black and white, PVC insulated, stripped 1/2". Non-grounded units are supplied with two 6" wire leads. Grounded units are supplied with one black 6" wire lead. Custom wire lengths, stripping, termination and wire types are also available.

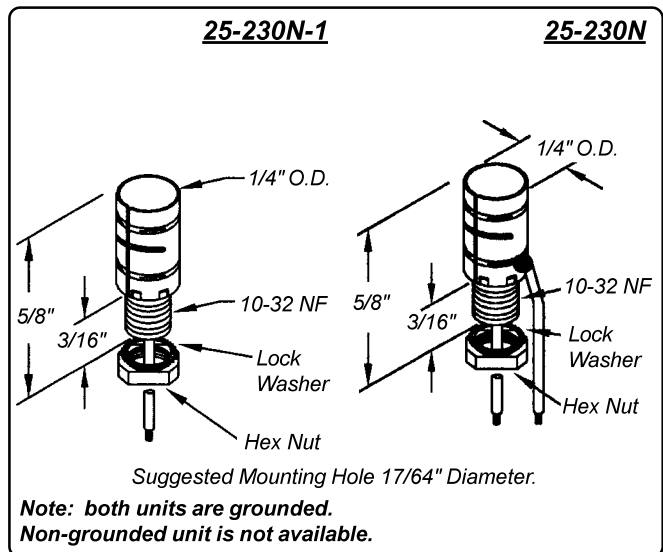
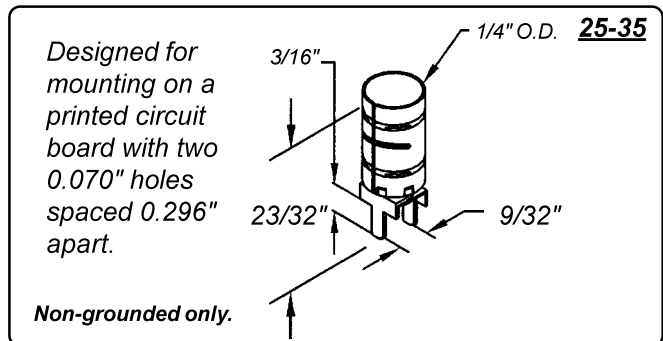
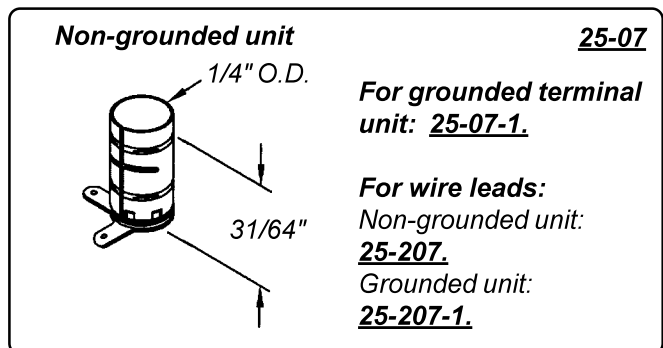
Mounting:

Brackets: .025" to .032" zinc plated steel. Custom brackets and plating types are available.

Plug button: zinc plated steel for 3/8" mounting hole.

Threaded bushing: for 17/64" diameter mounting hole. Supplied with lockwasher and hex nut.

Maximum rating: 15 Watts, 28 Volts.



Midget Grooved 25 SERIES

Maximum Rating: 15 Watts, 28 Volts
Non-Grounded or Grounded

Tin Plated Steel Shell
Solder Lug Terminals, 6" Wire Leads
or Printed Circuit Board Terminals

25-06

For grounded terminal unit: 25-06-1.

For wire leads:
Non-grounded unit: 25-206.
Grounded unit: 25-206-1.

25-08

For grounded terminal unit: 25-08-1.

For wire leads:
Non-grounded unit: 25-208.
Grounded unit: 25-208-1.

25-12

For grounded terminal unit: 25-12-1.

For wire leads: Non-grounded unit: 25-212.
Grounded unit: 25-212-1.

25-35H

Non-grounded only.

Designed for horizontal mounting on a printed circuit board with two 0.070" holes spaced 0.296" apart.

25-240-1

Note: all units are grounded.

For unit with a second ground wire soldered to the shell: 25-240.

Plug button: zinc plated steel, for 3/8" hole with panel thickness range 3/64" to 1/16".

For solder lug terminals:
One lug: 25-40-1. Two lugs: 25-40.
Note: one lug is grounded to the plug button.

25-77R

For grounded terminal unit: 25-77R-1.

For wire leads: Non-grounded unit: 25-277R.
Grounded unit: 25-277R-1.