

T-2-1/4 Halogen Cycle Wedge Base

21 SERIES

- T-2 1/4 HALOGEN CYCLE WEDGE BASE NON-GROUNDED LAMPHOLDERS
- 6" WIRE LEADS OR 0.110" TAB TERMINALS
- CERAMIC HOUSING • SPRING STEEL CONTACTS
- MAXIMUM RATING: 50 WATTS, 14 VOLTS

Overview

The 21 Series lampholders are constructed with a high heat resistant ceramic housing and spring steel contacts for resistance to corrosion and high temperature. Standard units feature an eyeletted housing with a clearance hole through the eyelet to accept a #0 screw. A bolt & nut unit version is also available. Lampholders are supplied with or without mounting brackets with two 0.110" tab terminals or two 6" wire leads. Lampholders are designed for use in low voltage applications with T-2-1/4 wedge base halogen lamps.

Specifications

Housing: ceramic.

Contacts: spring steel.

Wire leads:

6" leads: #18 AWG, white, UL3135, UL/CSA rated 200° C, stripped 1/2". Non-grounded units are supplied with two 6" wire leads. Custom wire lengths, stripping, termination and wire types are also available.

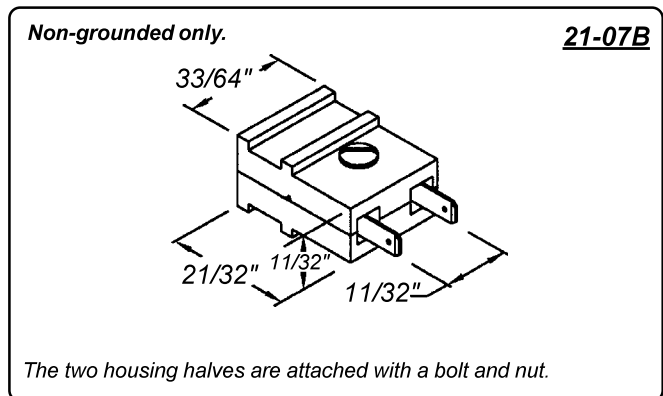
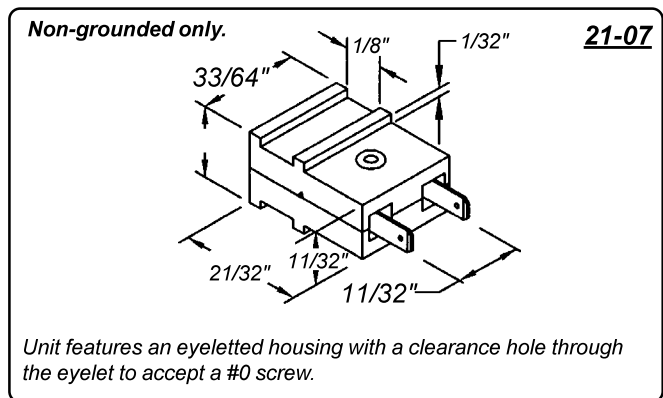
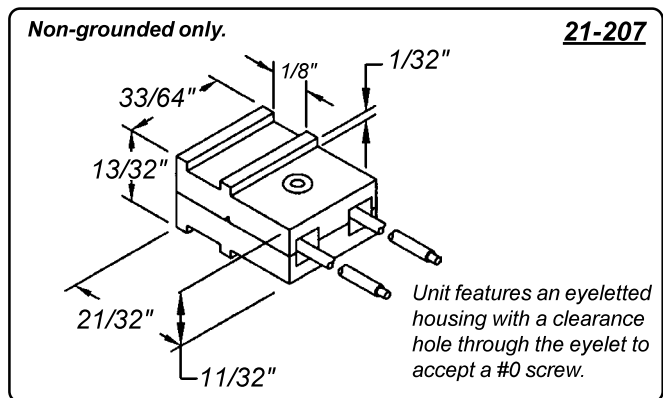
Terminals:

0.110" Tab : steel, 0.110" length x 0.010" thick. Non-grounded units are supplied with two 0.110" tab terminals.

Mounting:

Brackets: 0.025" to 0.032" zinc plated steel. Custom brackets and plating types are also available.

Maximum rating: 50 Watts, 14 Volts.



Can't find it here? We have many more standard and custom solutions

For further information, phone Customer Service at 800.522.5546.

T-2-1/4 Halogen Cycle Wedge Base

21 SERIES • Non-Grounded
 Maximum Rating: 50 Watts, 14 Volts
 Spring Steel Contacts

Ceramic Housing
 6" Wire Leads or
 0.110" Tab Terminals

21-PAR18-W
 Non-grounded only.

Reflector is vacuum metalized steel. May also be supplied without lip.

For 0.110" tab terminals:
21-PAR18-T.

21-23
 Non-grounded only.

For wire leads: **21-223.**

21-PAR22-W
 Non-grounded only.

For 0.110" tab terminals:
21-PAR22-T.

Reflector is vacuum metalized aluminum.

21-225
 Non-grounded only.

For 0.110" tab terminals:
21-25.

Mounting Hole Diagram
 17/32" DIA.
 5/32" DIA. (2)
 1-9/64"

21-PAR36-W
 Non-grounded only.

Reflector is vacuum metalized steel.

For 0.110" tab terminals:
21-PAR36-T.

21-74
 Non-grounded only.

For wire leads: **21-274.**