

Candelabra Screw

19 SERIES

- CANDELABRA SCREW NON-GROUNDED LAMP HOLDERS
- 6" WIRE LEADS • BLACK POLYESTER HOUSING WITH BRASS CONTACTS
- MAXIMUM RATING: 75 WATTS, 125 VOLTS
- UL AND CSA LISTED • UL FILE E20356 • CSA FILE LR 15284-20

Overview

The 19 Series lampholders are constructed with a heat resistant and durable polyester housing. The rugged housing is supplied with brass contacts and two 6" wire leads. Lampholders are non-grounded. Lampholders are designed for use with candelabra screw lamps.

Specifications

Housing: black polyester. A white housing is also available.

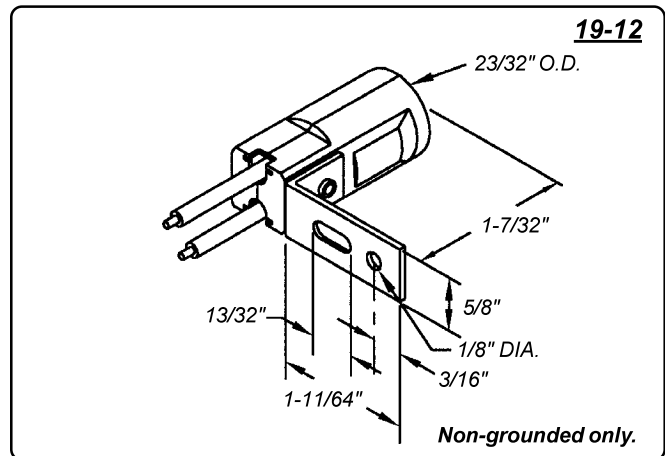
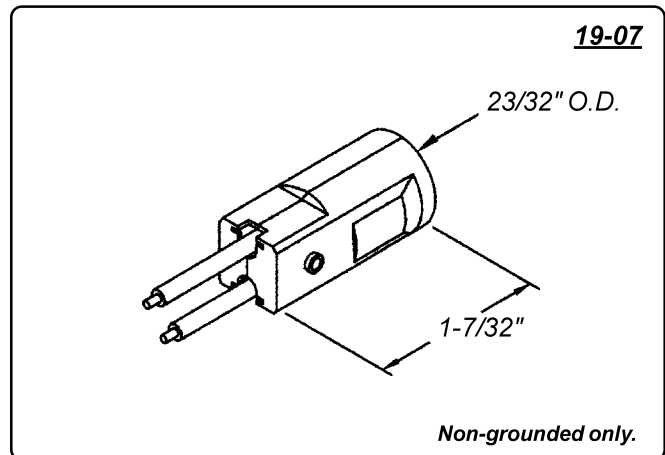
Contacts: brass.

Wire leads: 6" **Leads:** #18 AWG, black & white, bare copper, PVC insulated, UL/CSA rated 105° C, stripped 1/2". Non-grounded units are supplied with two 6" wire leads. Custom wire lengths, stripping, termination and wire types are available.

Mounting:

Brackets: .025" to .032" zinc plated steel. Custom brackets and plating types are available.

Maximum rating: 75 Watts, 125 Volts.



Can't find it here? We have many more standard and custom solutions

The items in this product sheets are only a small representative sample of the complete VCC product line. We manufacture many additional products which are not shown in this product sheet due to space constraints.

Custom products can also be designed uniquely for you by our Technical Support Professionals. Starting from your ideas and specifications, we work with your personnel to develop timely and cost effective solutions for your miniature lighting needs.

VCC Technical Support Services are provided without charge and may include designs, prototypes and pre-production samples.

For further information, phone Customer Service at 800.522.5546.

Candelabra Screw

19 SERIES

UL & CSA Listed • Non-Grounded
Maximum Rating: 75 Watts, 125 Volts

Black Polyester Housing
Brass Contacts
6" Wire Leads

