

ADAPTERS UNDER 10 W

COSMOS UK & EU 2.5 W, 3.5 W, 5 W

Characteristics

USB A connector / captive cable
Input: Universal
U out 5 V
I out 500 mA, 700 mA or 1000 mA
No load power: < 30 mW / < 150 mW
Efficiency ~69 % (CoC v 4)
Approvals: EU (CE)

Applications

Mobile phones
Bluetooth accessories
Digital cameras
Wireless communication accessories
MP3 player
Other mobile devices

< 10 W

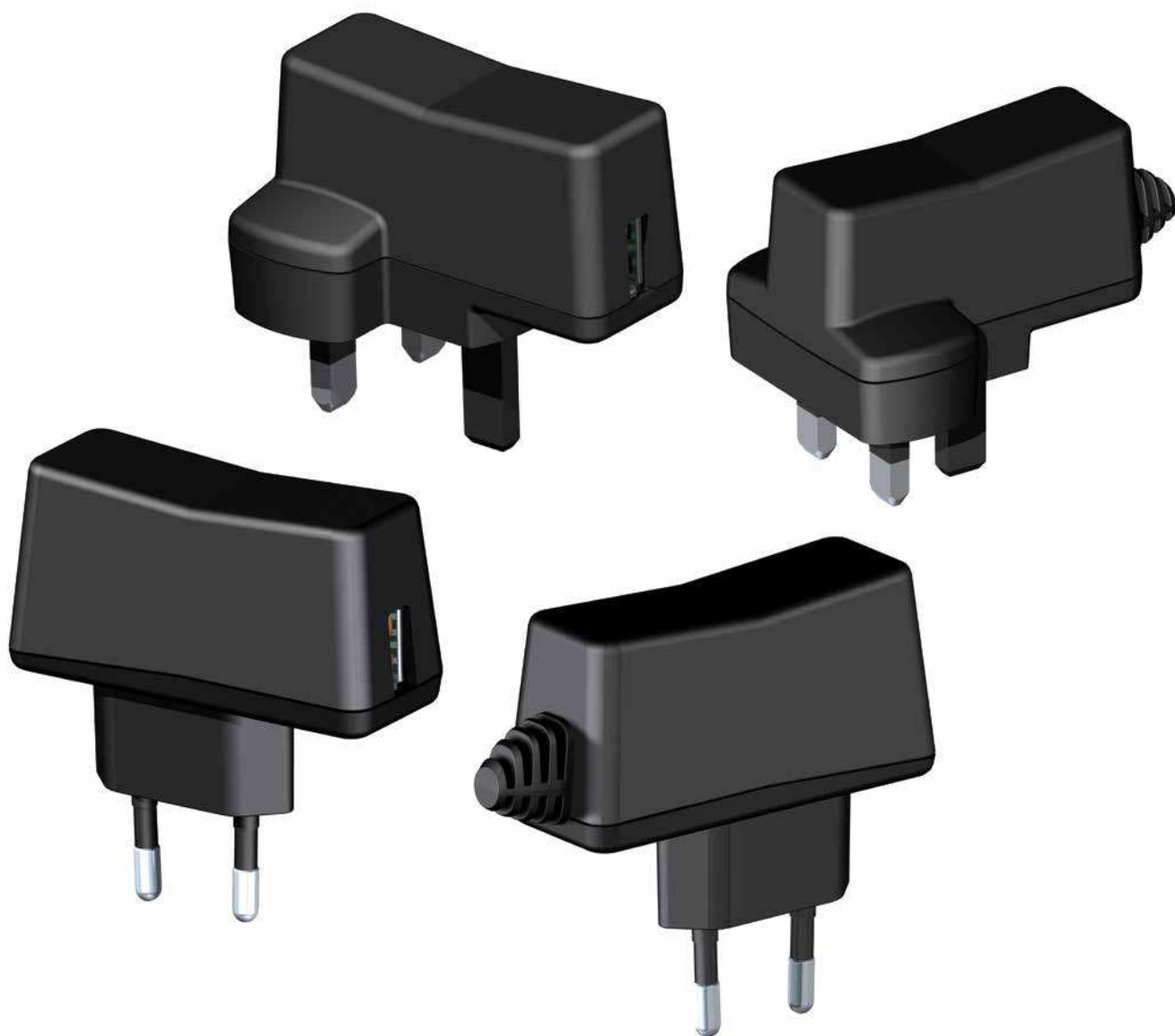
> 10 W

CAR

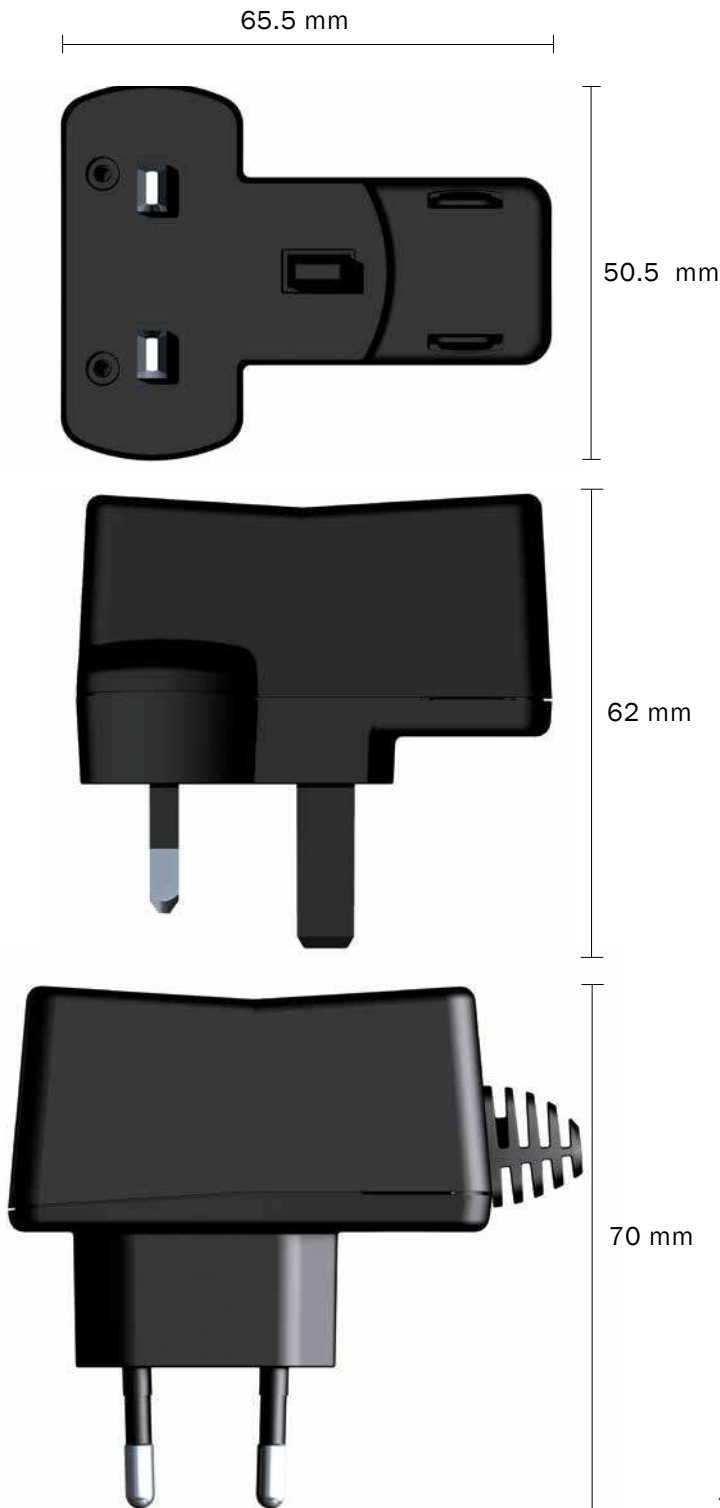
POWERS

LED

WIRELESS



COSMOS UK & EU 2.5 W, 3.5 W, 5 W



- < 10 W
- > 10 W
- CAR
- POWERS
- LED
- WIRELESS

U_{out}	I_{out}	No load power
5 V	500 mA	< 150 mW
5 V	700 mA	< 30 mW
5 V	1000 mA	< 30 mW

