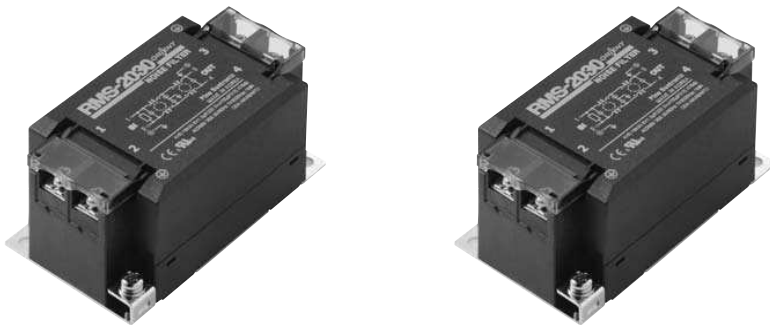


RMS-2020-□

OPTION
None: Normal type
D : Din-Rail Installation type
 Rated current
 Rated voltage(2: 250V, 4: 450V)
 Series name

**Features:**

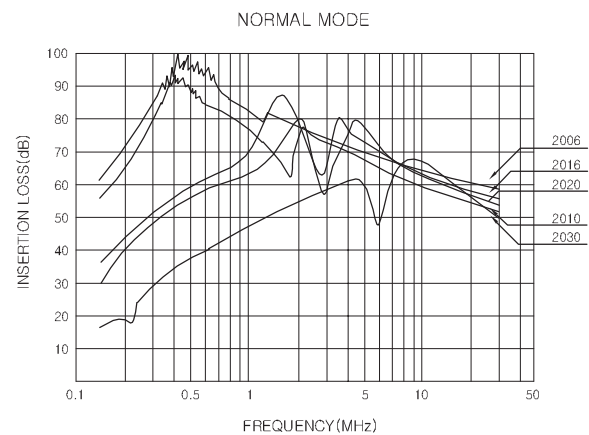
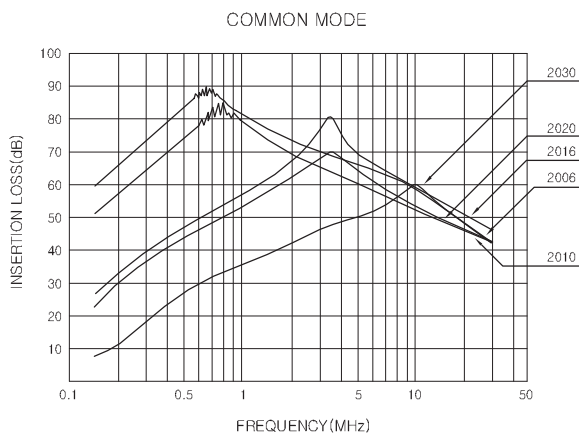
- 6A - 30A
- 250V Max
- High attenuation characteristics (150kHz~1MHz)
- Single Phase
- 2-Stage filter
- Low leakage
- Quick and easy push-down terminal block
- Safety cover

Application:

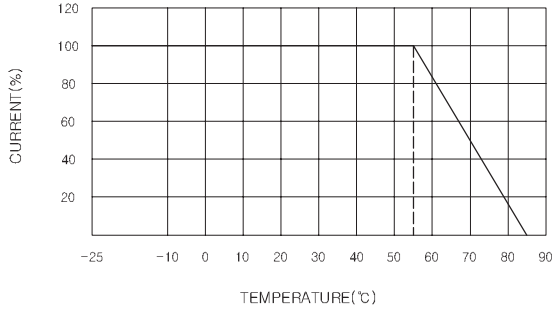
- Industrial equipments
- Personal computer & peripherals
- Digital equipments

RMS SERIES SPECIFICATIONS

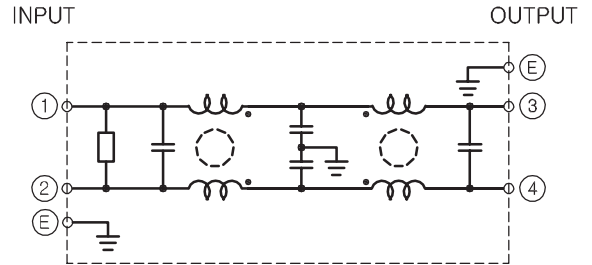
MODEL	RATED VOLTAGE (AC/DC)	RATED CURRENT	LEAKAGE CURRENT (60Hz)	TEMPERATURE RISE	OPERATING TEMPERATURE RANGE	APPROVAL
RMS-2006	250V Max	6A	1.0mA Max	50°C Max	-25 ~ +85°C	UL,C-UL, CE
RMS-2006-DIN	250V Max	6A	1.0mA Max	50°C Max	-25 ~ +85°C	UL,C-UL, CE
RMS-2010	250V Max	10A	1.0mA Max	50°C Max	-25 ~ +85°C	UL,C-UL, CE
RMS-2010-DIN	250V Max	10A	1.0mA Max	50°C Max	-25 ~ +85°C	UL,C-UL, CE
RMS-2016	250V Max	16A	1.0mA Max	50°C Max	-25 ~ +85°C	UL,C-UL, CE
RMS-2016-DIN	250V Max	16A	1.0mA Max	50°C Max	-25 ~ +85°C	UL,C-UL, CE
RMS-2020	250V Max	20A	1.0mA Max	50°C Max	-25 ~ +85°C	UL,C-UL, CE
RMS-2020-DIN	250V Max	20A	1.0mA Max	50°C Max	-25 ~ +85°C	UL,C-UL, CE
RMS-2030	250V Max	30A	1.0mA Max	50°C Max	-25 ~ +85°C	UL,C-UL, CE
RMS-2030-DIN	250V Max	30A	1.0mA Max	50°C Max	-25 ~ +85°C	UL,C-UL, CE

RMS SERIES STATIC ATTENUATION CHARACTERISTICS

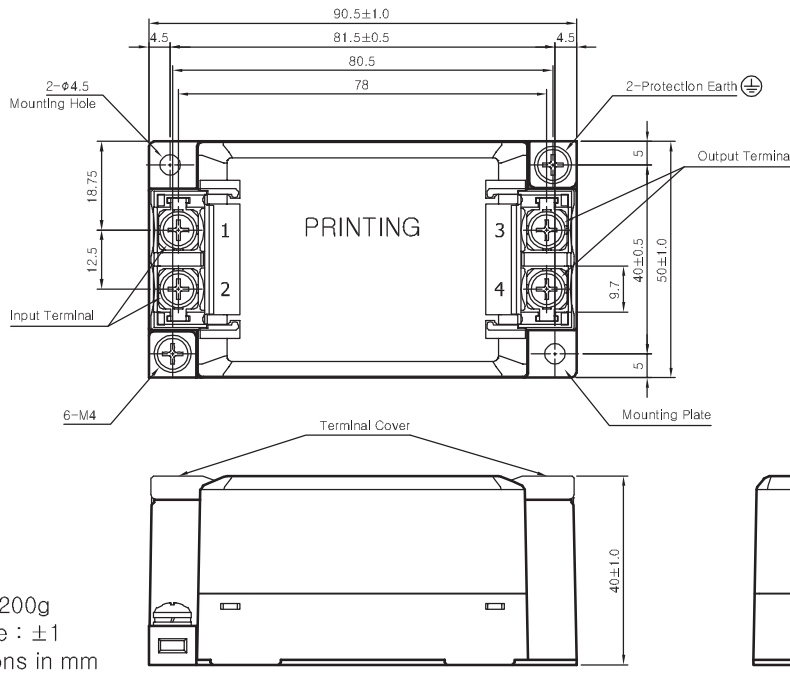
DERATING CURVE



CIRCUIT DIAGRAM

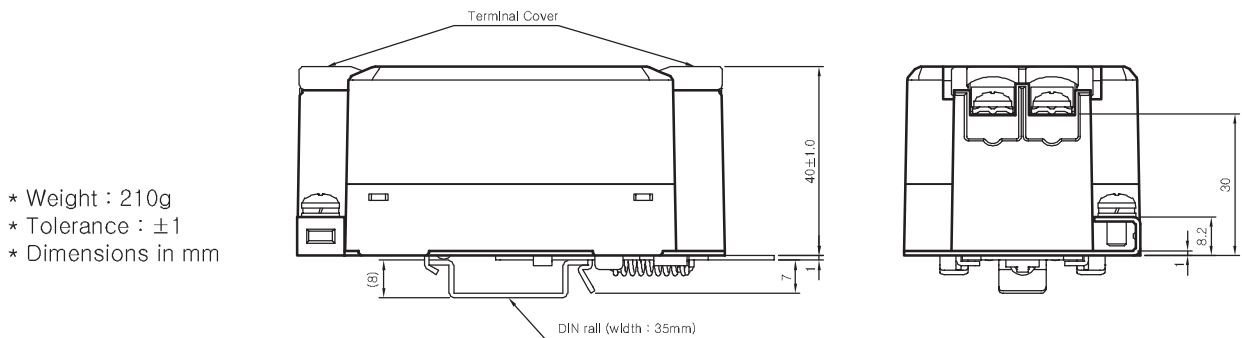


RMS SERIES SHAPES & DIMENSION / CUIT



- * Weight : 200g
- * Tolerance : ±1
- * Dimensions in mm

RMS DIN SHAPES & DIMENSION / CUIT



- * Weight : 210g
- * Tolerance : ±1
- * Dimensions in mm

Data sheets subject to change without notice, please check with our sales office before ordering.
Rev no. 062013