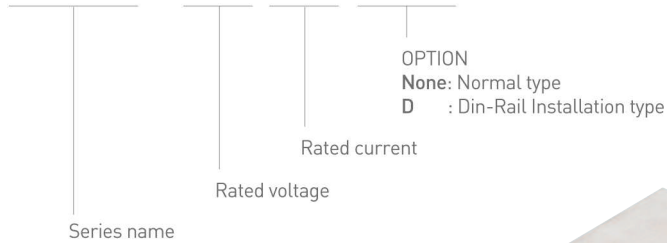


TNS-5006-□



Features:

- 6A - 60A
- 500V Max
- High attenuation characteristics (150KHz ~ 1MHz)
- Three phase
- 1-stage filter
- Plastic case / Safety cover
- Easy push-down terminal block
- DIN rail mountable (option)

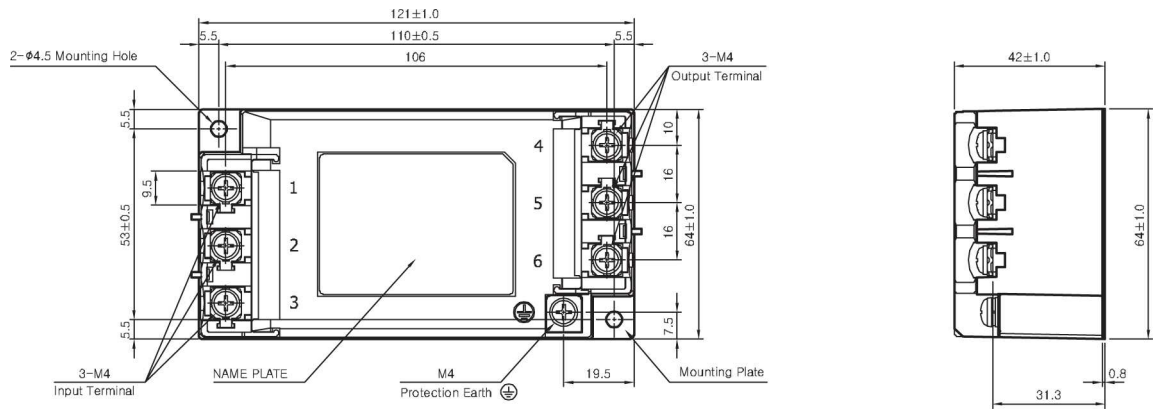


TNS Series Specifications

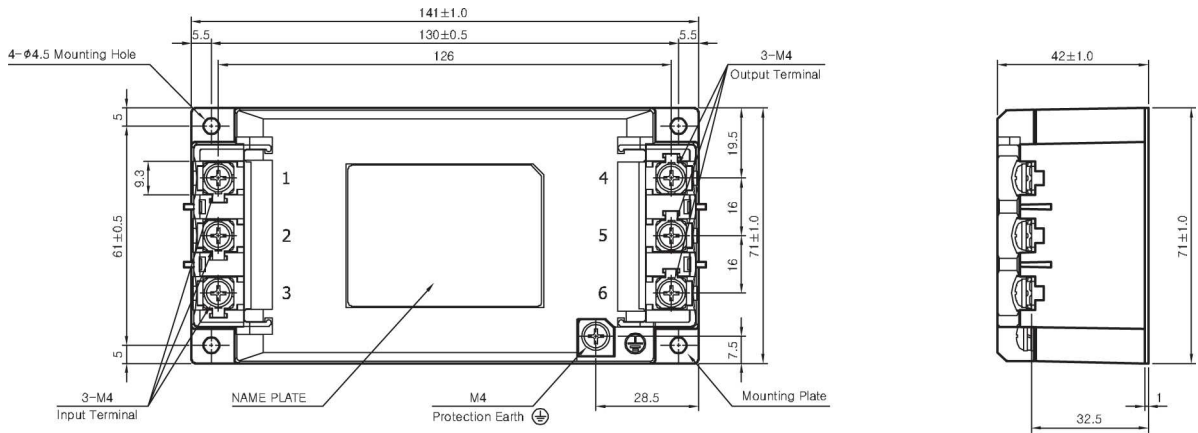


MODEL	RATED VOLTAGE (AC/DC)	RATED CURRENT	LEAKAGE CURRENT (60HZ)	TEMPERATURE RISE	OPERATING TEMPERATURE RANGE	APPROVAL
TNS-5006	500V Max	6A	5.0mA Max	50°C Max	-25 ~ +85°C	UL,C-UL,CE
TNS-5006-DIN	500V Max	6A	5.0mA Max	50°C Max	-25 ~ +85°C	UL,C-UL,CE
TNS-5010	500V Max	10A	5.0mA Max	50°C Max	-25 ~ +85°C	UL,C-UL,CE
TNS-5010-DIN	500V Max	10A	5.0mA Max	50°C Max	-25 ~ +85°C	UL,C-UL,CE
TNS-5020	500V Max	20A	5.0mA Max	50°C Max	-25 ~ +85°C	UL,C-UL,CE
TNS-5020-DIN	500V Max	20A	5.0mA Max	50°C Max	-25 ~ +85°C	UL,C-UL,CE
TNS-5030	500V Max	30A	5.0mA Max	50°C Max	-25 ~ +85°C	UL,C-UL,CE
TNS-5030-DIN	500V Max	30A	5.0mA Max	50°C Max	-25 ~ +85°C	UL,C-UL,CE
TNS-5040	500V Max	40A	5.0mA Max	50°C Max	-25 ~ +85°C	UL,C-UL,CE
TNS-5050	500V Max	50A	5.0mA Max	50°C Max	-25 ~ +85°C	UL,C-UL,CE
TNS-5060	500V Max	60A	5.0mA Max	50°C Max	-25 ~ +85°C	UL,C-UL,CE

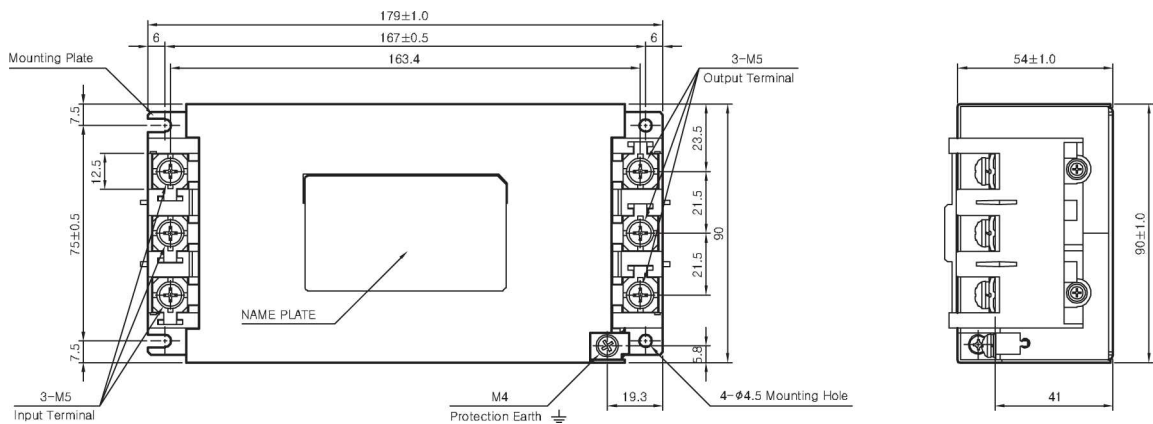
TNS A-Type (5006/5010)



TNS B-Type (5020/5030)



TNS C-Type (5040 / 5050 / 5060)



Data sheets subject to change without notice, please check with our sales office before ordering.

Rev no. 062013