

5W HIGH VOLTAGE DC/DC CONVERTERS



FEATURES

* Customer Selects Output Voltages

- * Proportional Output Voltage
- * Efficiency 75% (typ.)
- * 5000 Vdc Output Isolation
- * Six-Sided Shield (available)
- * Continuous Short Circuit Protection
- * 60 kHz Switching Frequency

The P5 Series of DC/DC converters offer a 5000 Vdc isolated high voltage output directly proportional to input voltage. All models will tolerate a short circuit indefinitely. They also include a LC input filter to minimize reflected ripple current.

ELECTRICAL SPECIFICATIONS

Voltage Accuracy	+/- 10%	Short Circuit Protection	Continuous
Input Regulation	Proportional	Input Filter	LC Input filter
Load Regulation	+/- 10%	Efficiency	75% (typ.)
Output Ripple	< 1%	Switching Frequency	60 kHz
		Isolation.....	5000 Vdc

** For shield option add suffix /S*

GENERAL SPECIFICATIONS

Temp. Stability.....	+/- 0.02%/°C	EMI/RFI	Six-Sided Shield * (optional)
Temp. (Operating,Case)	-20 to +85°C	Temp. Derating	None
Temp. (Storage)	-55 to +100°C	Cooling	Free-Air Convection

** All models designed to meet UL 60950*

** For RoHS Compliant part, add suffix /Y*

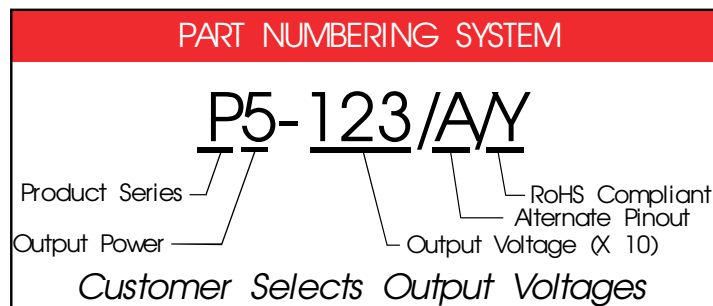
PHYSICAL SPECIFICATIONS

Dimensions	1.5 x 2.4 x 0.81 inches	Case Material	Black Plastic
Weight	3.1 Oz		

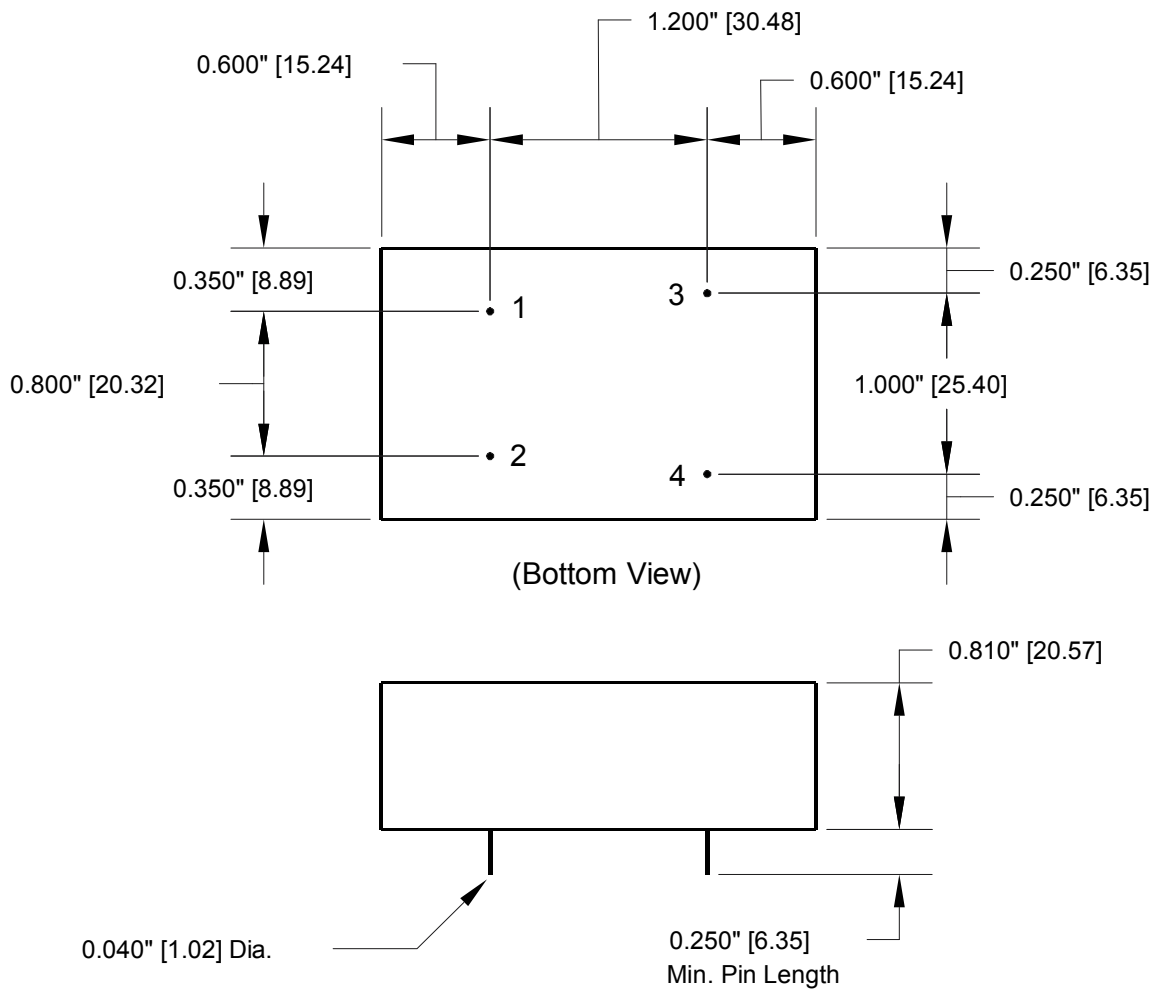
5W HIGH VOLTAGE DC/DC CONVERTERS

REPRESENTATIVE MODEL LISTING					
MODEL NUMBER	INPUT SPECIFICATIONS		OUTPUT SPECIFICATIONS		
	VOLTAGE	CURRENT	VOLTAGE	RIPPLE	CURRENT
P5-20	4V - 12V	560 mA	67 - 200	1V p-p	25 mA
P5-30	4V - 12V	560 mA	100 - 300	1.5V p-p	17 mA
P5-50	4V - 12V	560 mA	166 - 500	2.5V p-p	10 mA
P5-100	4V - 12V	560 mA	333 - 1,000	5V p-p	5 mA
P5-120	4V - 12V	560 mA	400 - 1,200	6V p-p	4.2 mA
P5-130	4V - 12V	560 mA	433 - 1,300	6.5V p-p	3.8 mA
P5-150	4V - 12V	560 mA	500 - 1,500	7.5V p-p	3.3 mA
P5-200	4V - 12V	560 mA	666 - 2,000	20V p-p	2.5 mA
P5-220	4V - 12V	560 mA	733 - 2,200	22V p-p	2.2 mA
P5-230	4V - 12V	560 mA	766 - 2,300	23V p-p	2.2 mA
P5-250	4V - 12V	560 mA	833 - 2,500	25V p-p	2 mA
P5-300	4V - 12V	560 mA	1,000 - 3,000	30V p-p	1.7 mA
P5-320	4V - 12V	560 mA	1,066 - 3,200	32V p-p	1.6 mA
P5-330	4V - 12V	560 mA	1,100 - 3,300	33V p-p	1.5 mA
P5-350	4V - 12V	560 mA	1,166 - 3,500	35V p-p	1.4 mA
P5-400	4V - 12V	560 mA	1,333 - 4,000	40V p-p	1.3 mA

- * Shield option add suffix /S
- * RoHS Compliant add suffix /Y
- * Alternate Pinout add suffix /A



5W HIGH VOLTAGE DC/DC CONVERTERS



*Dimensions are in Inches
[Metric equivalents in brackets]*

Pin #	Default Pinout
1	+ INPUT
2	- INPUT
3	- OUTPUT
4	+ OUTPUT

Pin #	Alternate Pinout (IA)
1	+ INPUT
2	- INPUT
3	+ OUTPUT
4	- OUTPUT

Data sheets are subject to change without notice