

## 3W HIGH VOLTAGE DC/DC CONVERTERS



## FEATURES

### \* Customer Selects Output Voltages

- \* Proportional Output Voltage
- \* Efficiency 75% (typ.)
- \* 5000 Vdc Output Isolation
- \* Six-Sided Shield (available)
- \* Continuous Short Circuit Protection
- \* 60 kHz Switching Frequency

The P3 Series of DC/DC converters offer a 5000 Vdc isolated high voltage output directly proportional to input voltage. All models will tolerate a short circuit indefinitely. They also include a LC input filter to minimize reflected ripple current.

## ELECTRICAL SPECIFICATIONS

Voltage Accuracy .....	+/- 10%	Short Circuit Protection .....	Continuous
Input Regulation .....	Proportional	Input Filter .....	LC Input filter
Load Regulation .....	+/- 10%	Efficiency .....	75% (typ.)
Output Ripple .....	< 1%	Switching Frequency .....	60 kHz
		Isolation.....	5000 Vdc

\* For shield option add suffix /S

## GENERAL SPECIFICATIONS

Temp. Stability.....	+/- 0.02%/°C	EMI/RFI .....	Six-Sided Shield
Temp. (Operating,Case) .....	-20 to +85°C	Temp. Derating .....	None
Temp. (Storage) .....	-55 to +100°C	Cooling .....	Free-Air Convection

\* All models designed to meet UL 60950

\* For RoHS Compliant part, add suffix /Y

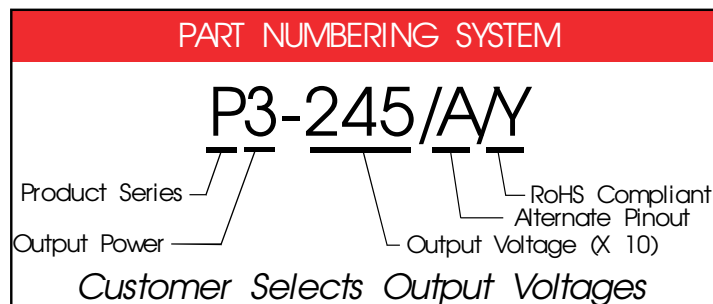
## PHYSICAL SPECIFICATIONS

Dimensions .....	1.5 x 2.4 x 0.81 inches	Case Material .....	Black Plastic
Weight .....	3.1 Oz		

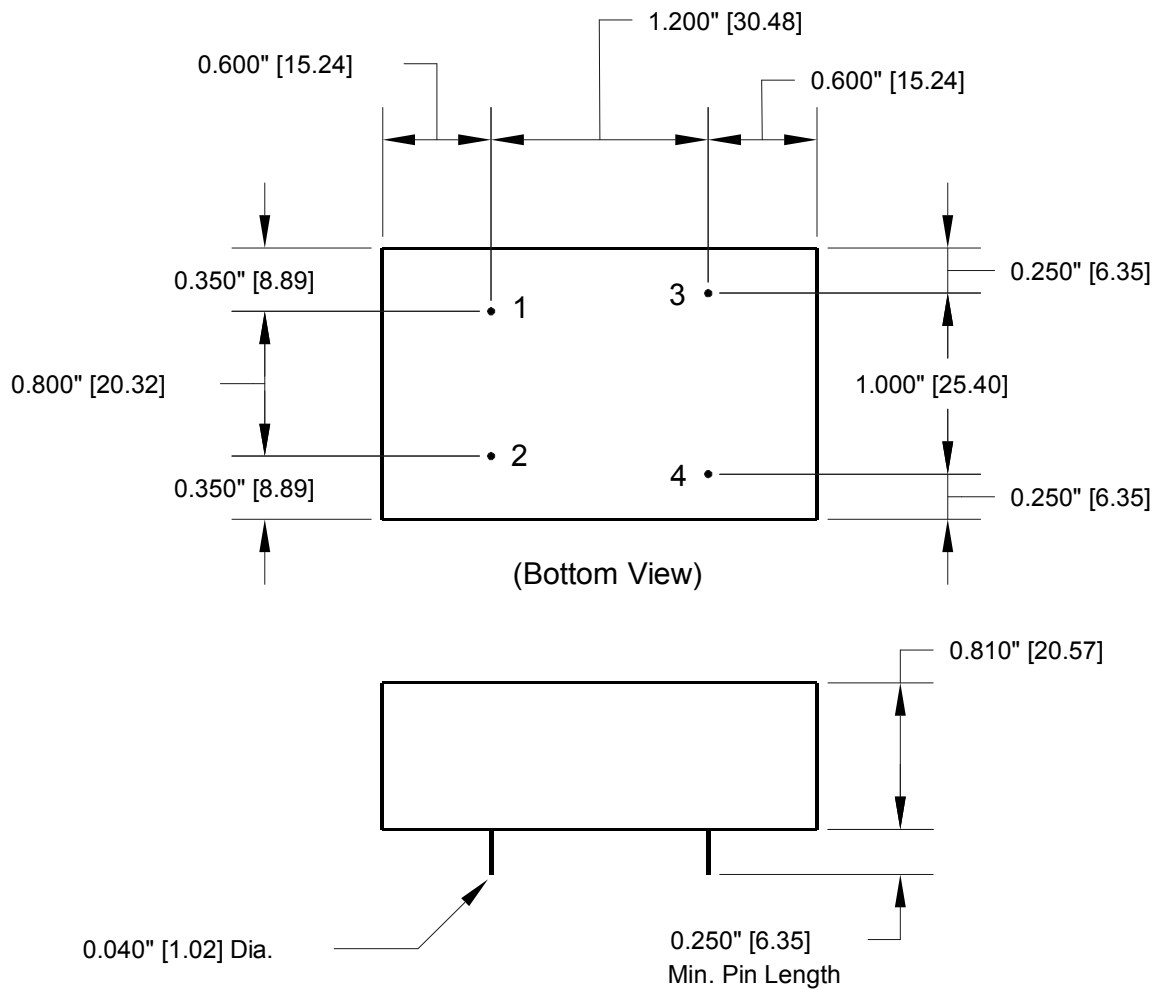
## 3W HIGH VOLTAGE DC/DC CONVERTERS

REPRESENTATIVE MODEL LISTING					
MODEL NUMBER	INPUT SPECIFICATIONS		OUTPUT SPECIFICATIONS		
	VOLTAGE	CURRENT	VOLTAGE	RIPPLE	CURRENT
P3-20	4V - 12V	333 mA	67 - 200	1V p-p	15 mA
P3-30	4V - 12V	333 mA	100 - 300	1.5V p-p	10 mA
P3-50	4V - 12V	333 mA	166 - 500	2.5V p-p	6 mA
P3-100	4V - 12V	333 mA	333 - 1,000	5V p-p	3 mA
P3-120	4V - 12V	333 mA	400 - 1,200	6V p-p	2.5 mA
P3-130	4V - 12V	333 mA	433 - 1,300	6.5V p-p	2.3 mA
P3-150	4V - 12V	333 mA	500 - 1,500	7.5V p-p	2 mA
P3-200	4V - 12V	333 mA	666 - 2,000	20V p-p	1.5 mA
P3-220	4V - 12V	333 mA	733 - 2,200	22V p-p	1.3 mA
P3-230	4V - 12V	333 mA	766 - 2,300	23V p-p	1.3 mA
P3-250	4V - 12V	333 mA	833 - 2,500	25V p-p	1.2 mA
P3-300	4V - 12V	333 mA	1,000 - 3,000	30V p-p	1 mA
P3-320	4V - 12V	333 mA	1,066 - 3,200	32V p-p	0.93 mA
P3-330	4V - 12V	333 mA	1,100 - 3,300	33V p-p	0.90 mA
P3-350	4V - 12V	333 mA	1,166 - 3,500	35V p-p	0.85 mA
P3-400	4V - 12V	333 mA	1,333 - 4,000	40V p-p	0.75 mA

- \* Shield option add suffix /S
- \* RoHS Compliant add suffix /Y
- \* Alternate Pinout add suffix /A



## 3W HIGH VOLTAGE DC/DC CONVERTERS



*Dimensions are in Inches  
[Metric equivalents in brackets]*

Pin #	Default Pinout
1	+ INPUT
2	- INPUT
3	- OUTPUT
4	+ OUTPUT

Pin #	Alternate Pinout (IA)
1	+ INPUT
2	- INPUT
3	+ OUTPUT
4	- OUTPUT

Data sheets are subject to change without notice