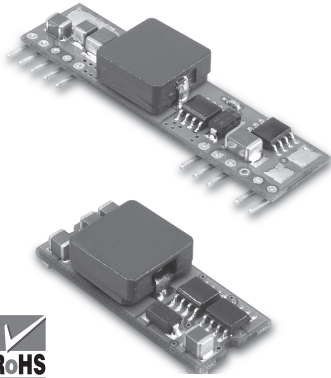


15 AMP POL CONVERTERS



Features:

- Non-Isolated POL Converter
- SIP / SMT Package
- Output Current 15AMP
- Input Voltage Range 3-5.5VDC
- Output Voltage Range 0.9-3.63VDC
- 300KHz Switching Frequency
- High Efficiency to 94%
- Over Temperature Protection
- Continuous Short Circuit Protection
- Remote On/Off Control
- UL/c-UL 60950 Certified

Electrical Characteristics:

MODEL Number	INPUT VOLTAGE	OUTPUT VOLTAGE	OUTPUT CURRENT	INPUT CURRENT		%EFF.
				NO LOAD	FULL LOAD	
S IP15-05S33A	3.0 –5.5 VDC	1.0VDC	15 A	60mA	3.658A	82
	3.0 –5.5 VDC	1.2VDC	15 A	60mA	4.286A	84
	3.0 –5.5 VDC	1.5VDC	15 A	60mA	5.172A	87
SMT15-05S33A	3.0 –5.5 VDC	1.8VDC	15 A	70mA	6.136A	88
	3.0 –5.5 VDC	2.0VDC	15 A	70mA	6.742A	89
	3.0 –5.5 VDC	2.5VDC	15 A	70mA	8.152A	92
	4.5 –5.5 VDC	3.3VDC	15 A	70mA	10.532A	94

NOTE: 1. Nominal Input Voltage 5.0 VDC

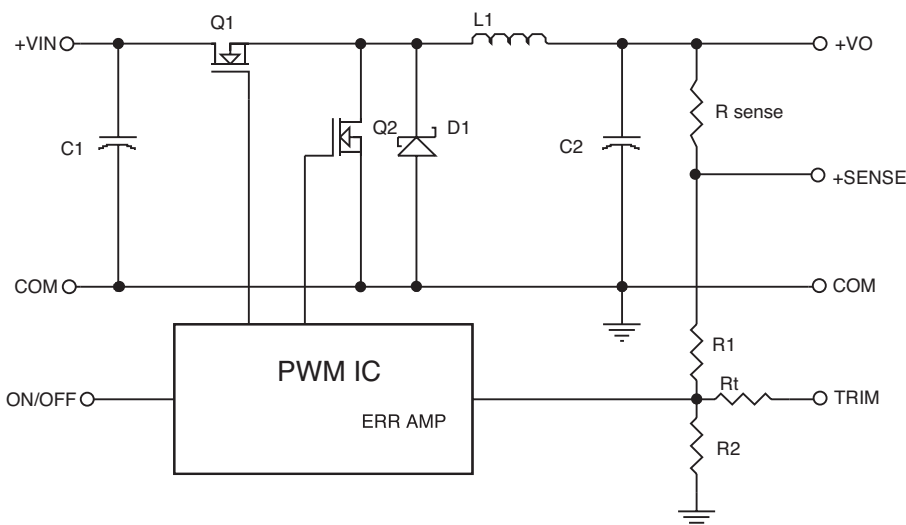


Figure 1. Simplified Schematic

Vo, set (V)	Rtrim (KΩ)
0.90	135.36
1.00	79.17
1.20	41.71
1.50	22.98
1.80	14.96
2.00	11.75
2.50	6.93
3.30	3.15
3.63	2.20

Table 1. External Resistor Values for programming output voltage

