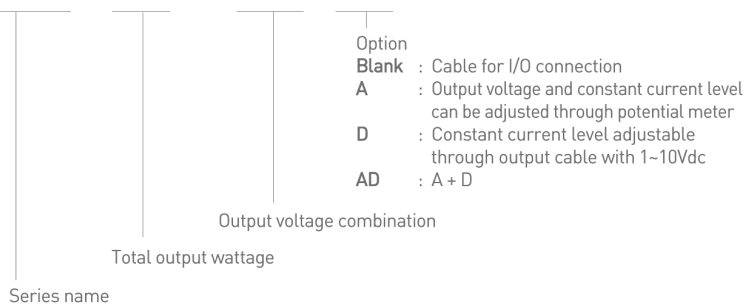


HSF150-12-□



Features:

- 150 Watt
- A, AD Type = IP66, NONE, D Type = IP67
- Built in PFC function (Active)
- Inrush current limit
- Wide input voltage (Universal input range)
- Over voltage protection
- Over current protection
- Outdoor LED lighting
- LED street lighting
- 5 year warranty



HSF150-S Specifications



	MODEL	HSF150-12	HSF150-24	HSF150-36	HSF150-48	
INPUT	VOLTAGE, FREQUENCY	AC 100-240V (AC 90 ~ 264V or DC 127 ~ 370V), 50/60Hz (47 ~ 63Hz), Universal output				
	CURRENT [A]	110V	3.0 (I ₀ =100%)			
		220V	1.5 (I ₀ =100%)			
	EFFICIENCY [%]	110V	87 typ	88 typ	89 typ	90 typ
		220V	90 typ	92 typ	92.5 typ	93 typ
	POWER FACTOR	110V	0.99 typ			
220V		0.98 typ				
INRUSH CURRENT		25A typ (AC IN 110V I ₀ =100%), 45A typ (AC IN 220V, I ₀ =100%) at cold start				
OUTPUT	VOLTAGE [V]	12	24	36	48	
	VOLTAGE ADJ RANGE *NOTE1 [V]	10.8 ~ 13.5	22 ~ 27	33 ~ 40	43 ~ 53	
	CURRENT [A]	12.5	6.3	4.2	3.2	
	CURRENT ADJ RANGE *NOTE1 [A]	6.25 ~ 12.5	3.15 ~ 6.3	2.1 ~ 4.2	1.6 ~ 3.2	
	REGULATION, LINE [mV]	120 Max	120 Max	180 Max	240 Max	
	REGULATION, LOAD [mV]	120 Max	120 Max	180 Max	240 Max	
	RIPPLE MAX [mV]	120 Max	120 Max	150 Max	150 Max	
	RIPPLE NOISE MAX 1 [mV]	150 Max	150 Max	250 Max	250 Max	
	RIPPLE NOISE MAX 2 *NOTE3 [mV]	600 Max	600 Max	800 Max	800 Max	
	TEMPERATURE DRIFT [mV]	180 Max	360 Max	540 Max	720 Max	
	RISE TIME [ms]	1000 Max (AC IN 100V I ₀ =100%)				
HOLDING TIME [ms]	17 typ (AC IN 100V I ₀ =100%)					
FUNCTION	OVER CURRENT PROTECTION [A]	Works at 95 ~ 110% of rating				
	OVER VOLTAGE PROTECTION [V]	14 ~ 17	28 ~ 34	41 ~ 46	54 ~ 60	
	DIMMING *NOTE2 [A]	1 ~ 10V (Percentage or rated current: 10% ~ 100%)				
ELECTRICALLY ISOLATED	INPUT-OUTPUT	AC 3,000V 1 minute current 20 mA, DC 500V 100MΩ (At room temperature & humidity)				
	INPUT-CASE, FG	AC 2,000V 1 minute current 20 mA, DC 500V 100MΩ (At room temperature & humidity)				
	OUTPUT-CASE,FG	AC 500V 1 minute current 100 mA, DC 500V 100MΩ (At room temperature & humidity)				
ENVIRONMENT	OPERATING TEMP AND HUMID	-25 ~ +70°C (Required derating), 20 ~ 90% RH (Non condensing)				
	STORAGE TEMP AND HUMID	-40 ~ +75°C, 20 ~ 90% RH (Non condensing)				
	VIBRATION	10 ~ 55Hz at 1G, 3 minute period, 30 minutes along X, Y and Z axis				
	IMPACT	10G for 20ms, once on each X, Y and Z axis				

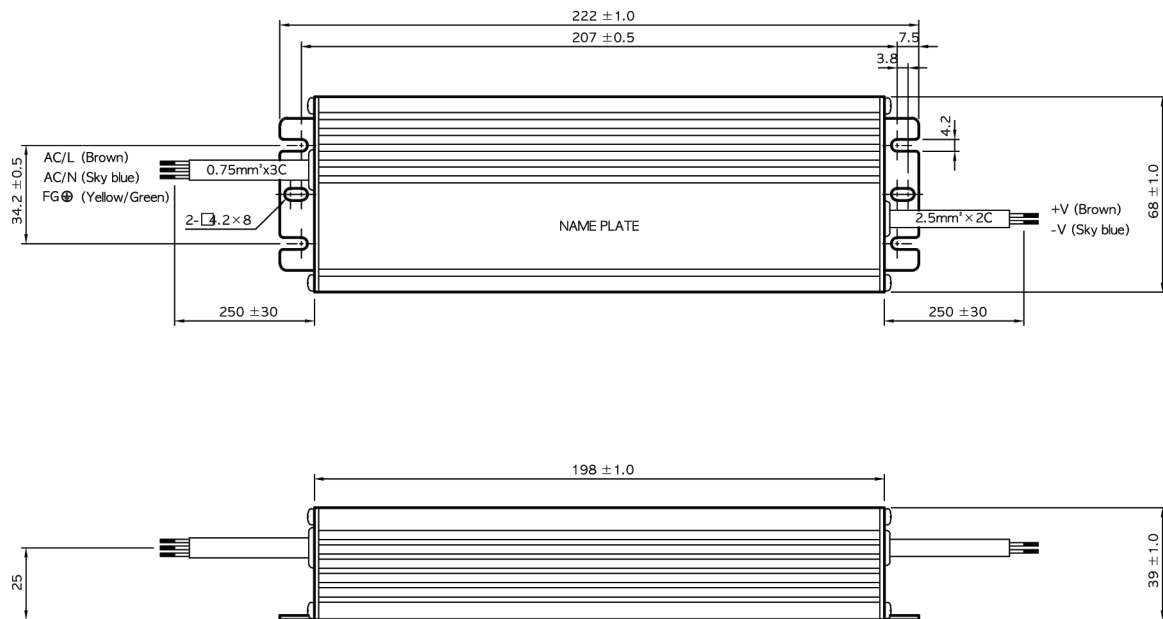
*NOTE1 : Type A, AD only

*NOTE2 : Type D, AD only

*NOTE3 : FREQUENCY 50 / 60Hz

SAFETY	SAFETY REGULATION	CE, KC	CE, KC	CE, KC	CE, KC
	CONDUCTED EMISSION	Built to meet EN55015			

HSF150-S External View



- * Weight : 980g
- * Tolerance : ± 1
- * Dimensions in mm

Data sheets are subject to change without notice, please check with our sales office before ordering.

Rev no. 062013