



POWER SUPPLY

- AC 100-120 / 200-240V Auto Select Input
- Efficiency up to 90.2%
- Width only 32mm
- 20% Output Power Reserves
- Full Output Power Between -25°C and +60°C
- Minimal Inrush Current Surge
- 3 Year Warranty

1. GENERAL DESCRIPTION

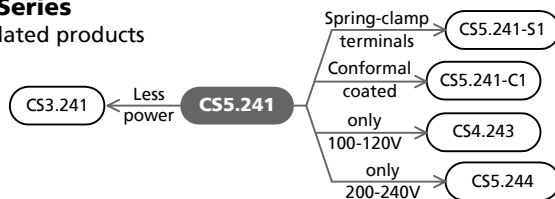
The Dimension C-Series are cost optimized power supplies without compromising quality, reliability and performance. The C-Series is part of the Dimension power supply family, existing alongside the high featured Q-series.

The C series includes all the essential basic functions and the devices have a power reserve of 20%. This extra current may even be used continuously at temperatures up to +45°C. The most important features are the small size, the high efficiency and the wide temperature range.

The Auto-select input makes worldwide installation and usage very simple. Defects or system failures caused by wrongly set switches can not occur.

C-Series

Related products



2. SHORT-FORM DATA

| | | |
|-------------------|-----------------------|-------------------|
| Output voltage | DC 24V | |
| Adjustment range | 24 - 28V | |
| Output current | 5 – 4.3A | ambient <60°C |
| | 6 – 5,1A | ambient <45°C |
| Output power | 120W | ambient <60°C |
| | 144W | ambient <45°C |
| Output ripple | < 50mVpp | 20Hz to 20MHz |
| Input voltage | AC 100-120 / 200-240V | Auto-select Input |
| Mains frequency | 50-60Hz | ±6% |
| AC Input current | typ. 2.05 / 1.23A | at 120 / 230Vac |
| Power factor | typ. 0.56 / 0.47 | at 120 / 230Vac |
| AC Inrush current | typ. 3A peak | |
| DC Input | not allowed | |
| Efficiency | typ. 89.4 / 90.2% | at 120 / 230Vac |
| Losses | typ. 14.5 / 13.2W | at 120 / 230Vac |
| Temperature range | -25°C to +70°C | operational |
| Derating | 3W/°C | |
| Hold-up time | typ. 80 / 78ms | at 120 / 230Vac |
| Dimensions | 32x124x117mm | WxHxD |

3. ORDER NUMBERS

| | | |
|--------------|--|---|
| Power Supply | CS5.241 CS5.241-C1 CS5.241-S1 | Standard unit Conformal coated PC-boards Quick-connect spring-clamp terminals |
| Accessory | ZM1.WALL ZM11.SIDE YRM2.DIODE | Wall mount bracket Side mount bracket Redundancy module |

4. MARKINGS



INDEX PAGE

| | |
|--|----|
| 1. General Description | 1 |
| 2. Short-form Data | 1 |
| 3. Order Numbers | 1 |
| 4. Markings | 1 |
| 5. AC-Input | 3 |
| 6. Input Inrush Current Surge | 4 |
| 7. Hold-up Time | 4 |
| 8. Output | 5 |
| 9. Efficiency and Power Losses | 6 |
| 10. Functional Diagram | 7 |
| 11. Reliability | 7 |
| 12. Front Side and User Elements | 8 |
| 13. Terminals and Wiring | 8 |
| 14. EMC | 9 |
| 15. Environment | 11 |
| 16. Protection Features | 11 |
| 17. Safety | 12 |
| 18. Dielectric Strength | 12 |
| 19. Approvals | 13 |

INDEX PAGE



| | |
|---|----|
| 20. Fulfilled Standards | 13 |
| 21. Used Substances | 13 |
| 22. Physical Dimensions and Weight | 14 |
| 23. Installation and Operation Instructions | 14 |
| 24. Accessory | 15 |
| 25. Application Notes | 16 |
| 25.1. Peak Current Capability | 16 |
| 25.2. Charging of Batteries | 16 |
| 25.3. Back-feeding Loads | 16 |
| 25.4. Output Circuit Breakers | 17 |
| 25.5. Inductive and Capacitive Loads | 17 |
| 25.6. Series Operation | 18 |
| 25.7. Parallel Use to Increase Output Power .. | 18 |
| 25.8. Parallel Use for 1+1 Redundancy | 18 |
| 25.9. External Input Protection | 19 |
| 25.10. Operation on Two Phases | 19 |
| 25.11. Use in a Tightly Sealed Enclosure | 19 |
| 25.12. Mounting Orientations | 20 |

INTENDED USE

The power supply shall only be installed and put into operation by qualified personnel.

This power supply is designed for installation in an enclosure and is intended for the general use, such as in industrial control, office, communication, and instrumentation equipment. Do not use this device in aircraft, trains and nuclear equipment, where malfunctioning of the power supply may cause severe personal injury or threaten human life.

TERMINOLOGY AND ABBREVIATIONS

| | |
|--|--|
| PE and  symbol | PE is the abbreviation for Protective Earth and has the same meaning as the symbol  . |
| Earth, Ground | This document uses the term "earth" which is the same as the U.S. term "ground". |
| T.b.d. | To be defined, value or description will follow later. |
| AC 230V | A figure displayed with the AC or DC before the value represents a nominal voltage with standard tolerances (usually $\pm 20\%$) included. E.g.: DC 12V describes a 12V battery disregarding whether it is full (13.7V) or flat (10V) As long as not otherwise stated, AC 100V and AC 230V parameters are valid at 50Hz and AC 120V parameters are valid at 60Hz mains frequency. |
| 230Vac | A figure with the unit (Vac) at the end is a momentary figure without any additional tolerances included. |

DISCLAIMER

The information presented in this document is believed to be accurate and reliable and may change without notice.

5. AC-INPUT

| | | | | | |
|-------------------|------|------------------------|--|----------------|---|
| AC input | nom. | AC 100-120V / 200-240V | auto-select input, TN-, TT-, IT-Mains, see Fig. 5-1 | | |
| AC input range | | 90-132Vac | 100-120V range, continuous operation | | |
| | | 180-264Vac | 200-240V range, continuous operation | | |
| | | 85-90Vac | Short term or with output derating | | |
| | | 264-300Vac | < 0.5s | | |
| Input frequency | nom. | 50 – 60Hz | ±6% | | |
| | | AC 100V | AC 120V | AC 230V | |
| Input current | typ. | 2.34A | 2.05A | 1.23A | at 24V, 5A see Fig. 5-3 |
| Power factor *) | typ. | 0.58 | 0.56 | 0.47 | at 24V, 5A see Fig. 5-1 |
| Crest factor **) | typ. | 2,9 | 3,1 | 3,7 | at 24V, 5A |
| Start-up delay | typ. | 710ms | 800ms | 540ms | see Fig. 5-2 |
| Rise time | typ. | 8ms | 8ms | 8ms | 0mF, 24V, 5A, see Fig. 5-2 |
| | typ. | 25ms | 25ms | 25ms | 5mF, 24V, 5A, see Fig. 5-2 |
| Turn-on overshoot | max. | 400mV | 400mV | 400mV | see Fig. 5-2 |
| Turn-on voltage | typ. | 80Vac | 80Vac | N / A | steady-state value, see Fig. 5-1 |
| Shut-down voltage | typ. | 55Vac | 55Vac | N / A | steady-state value, see Fig. 5-1 |

*) The power factor is the ratio of the true (or real) power to the apparent power in an AC circuit.

***) The crest factor is the mathematical ratio of the peak value to the RMS value of the input current waveform

Fig. 5-1 **Input voltage range**

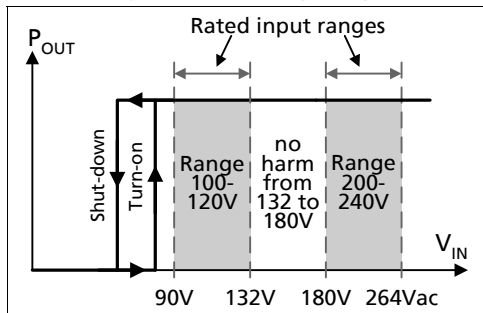


Fig. 5-2 **Turn-on behavior, definitions**

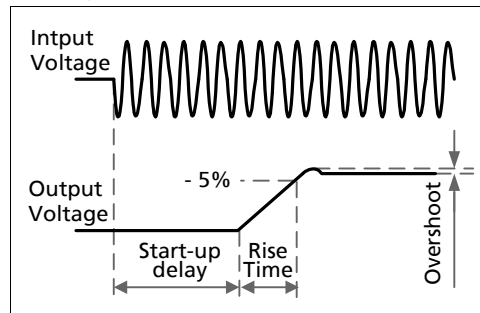


Fig. 5-3 **Input current vs. output load**

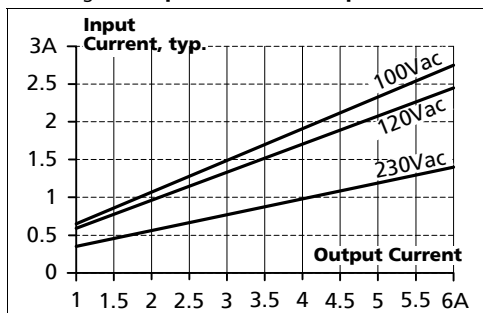
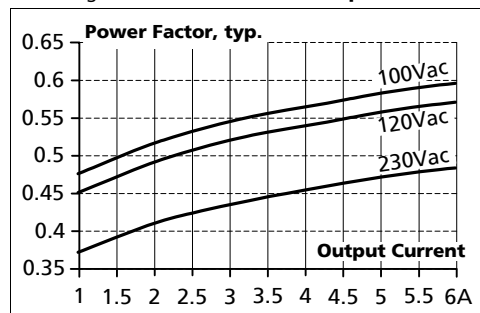


Fig. 5-4 **Power Factor vs. output load**

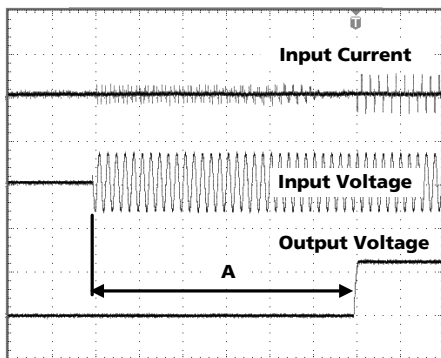


6. INPUT INRUSH CURRENT SURGE

An active inrush limitation circuitry limits the input inrush current after turn-on of the input voltage. The charging current into EMI suppression capacitors is disregarded in the first milliseconds after switch-on.

| | | AC 100V | AC 120V | AC 230V | |
|----------------|------|---------------------|---------------------|---------------------|----------------|
| Inrush current | max. | 10A _{peak} | 10A _{peak} | 10A _{peak} | -25°C to +70°C |
| | typ. | 3A _{peak} | 3A _{peak} | 3A _{peak} | -25°C to +70°C |
| Inrush energy | typ. | 1A ² s | 1A ² s | 1A ² s | -25°C to +70°C |

Fig. 6-1 Input inrush current, typical behavior



A: Start-up delay = Inrush delay
 Input: 230Vac
 Output: 24V, 5A
 Ambient: 25°C
 Upper curve: Input current 10A / DIV
 Medium curve: Input voltage 500V / DIV
 Lower curve: Output voltage 20V / DIV
 Time scale: 100ms / DIV

7. HOLD-UP TIME

| | | AC 100V | AC 120V | AC 230V | |
|--------------|------|---------|---------|---------|-------------------------|
| Hold-up Time | typ. | 109ms | 165ms | 161ms | 2,5A, 24V, see Fig. 7-1 |
| | typ. | 50ms | 80ms | 78ms | 5A, 24V, see Fig. 7-1 |
| | typ. | 37ms | 62ms | 63ms | 6A, 24V, see Fig. 7-1 |

Fig. 7-1 Hold-up time vs. input voltage

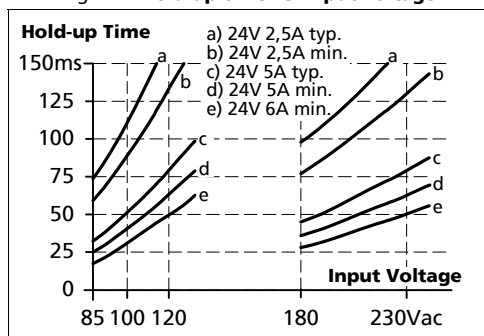
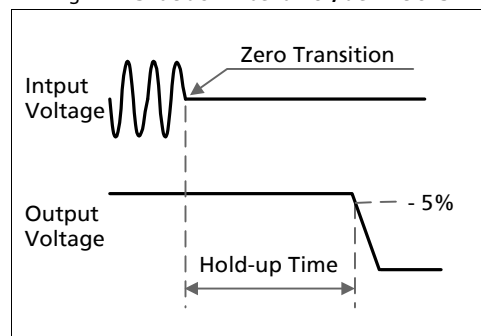


Fig. 7-2 Shut-down behavior, definitions



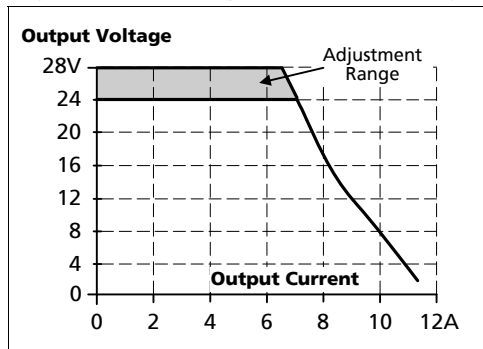
Note: At no load, the hold-up time can be up to several seconds. The green DC-ok lamp is on during this time.

8. OUTPUT

| | | | |
|--------------------------|------|--------------------|--|
| Output voltage | nom. | 24V | |
| Adjustment range | min. | 24-28V | guaranteed |
| | max. | 30V | at clockwise end position of potentiometer |
| Factory setting | | 24.1V | ±0.2%, at full load, cold unit |
| Line regulation | max. | 70mV | 90 to 132Vac or 180 to 264Vac |
| Load regulation | max. | 100mV | static value, 0A → 5A → 0A |
| Ripple and noise voltage | max. | 50mVpp | 20Hz to 20MHz, 50Ohm |
| Output capacitance | typ. | 1 800µF | |
| Output current | nom. | 6A ^{U)} | at 24V, ambient < 45°C, see Fig. 8-1 |
| | nom. | 5A | at 24V, ambient < 60°C, see Fig. 8-1 |
| | nom. | 5.1A ^{U)} | at 28V, ambient < 45°C, see Fig. 8-1 |
| | nom. | 4.3A | at 28V, ambient < 60°C, see Fig. 8-1 |
| Output power | nom. | 144W ^{U)} | ambient < 45°C |
| | nom. | 120W | ambient < 60°C |
| Short-circuit current | min. | 10A | load impedance 200mOhm, see Fig. 8-1 |
| | max. | 14A | load impedance 200mOhm, see Fig. 8-1 |

U) The unit may respond with a thermal shut-down when continuously loaded with more than 120W and operated with a mains voltage of 100V or below.

Fig. 8-1 Output voltage vs. output current, typ.



Peak current capability (up to several ms)

The power supply can deliver a peak current which is higher than the specified short term current. This helps to start current demanding loads or to safely operate subsequent circuit breakers.

The extra current is supplied by the output capacitors inside the power supply. During this event, the capacitors will be discharged and causes a voltage dip on the output. Detailed curves can be found in chapter 25.1.

| | | | |
|---------------------------|------|-------------------|---------------------------------|
| Peak current voltage dips | typ. | from 24V to 18.5V | at 10A for 50ms, resistive load |
| | typ. | from 24V to 22V | at 25A for 2ms, resistive load |
| | typ. | from 24V to 20V | at 25A for 5ms, resistive load |

9. EFFICIENCY AND POWER LOSSES

| | | AC 100V | AC 120V | AC 230V | |
|--------------|------|----------------|----------------|----------------|-----------|
| Efficiency | typ. | 88.8% | 89.4% | 90.2% | 5A, 24V |
| Power losses | typ. | 1.9W | 2.0W | 1.7W | 0A |
| | typ. | 9.1W | 8.8W | 8.2W | 2.5A, 24V |
| | typ. | 15.3W | 14.5W | 13.2W | 5A, 24V |
| | typ. | 19.4W | 18.2W | 16.1W | 6A, 24V |

Fig. 9-1 Efficiency vs. output current at 24V

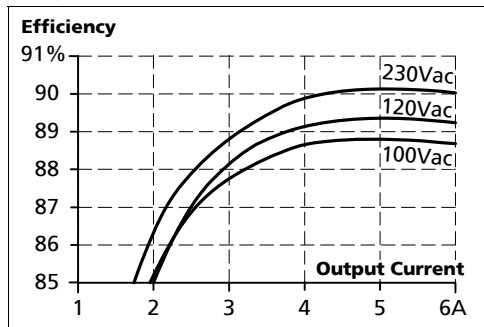


Fig. 9-2 Losses vs. output current at 24V

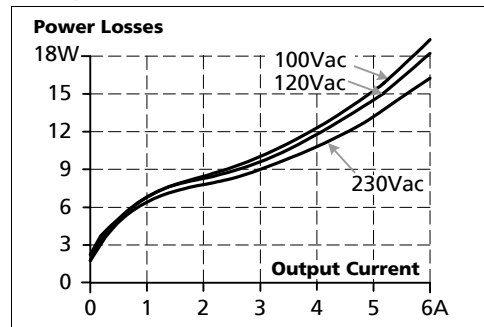


Fig. 9-3 Efficiency vs. input voltage, 24V, 5A

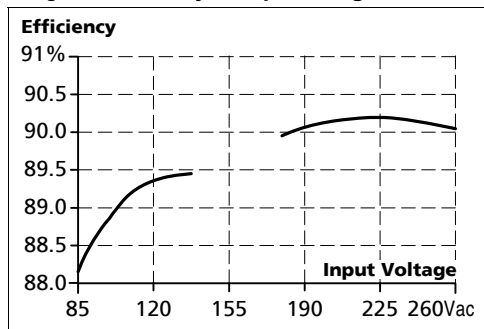
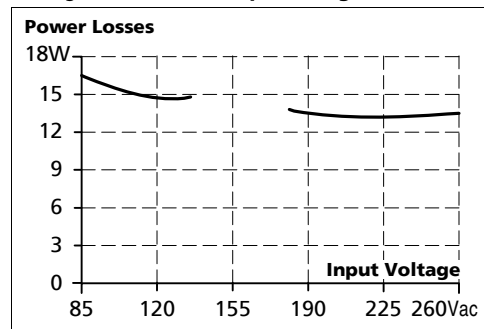
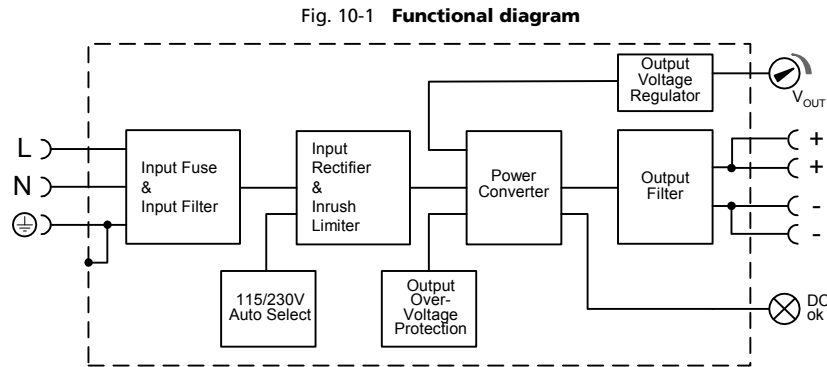


Fig. 9-4 Losses vs. input voltage, 24V, 5A



10. FUNCTIONAL DIAGRAM



11. RELIABILITY

| | | AC 100V | AC 120V | AC 230V | |
|--------------------------|------|------------|------------|------------|-----------------------------------|
| Lifetime expectancy | min. | 52 000h | 58 000h | 72 000h | 40°C, 24V, 5A |
| | min. | 27 000h | 34 000h | 42 000h | 40°C, 24V, 6A |
| | min. | 135 000h | 128 000h | 144 000h | 40°C, 24V, 2,5A |
| | min. | 142 000h | 15 years | 15 years | 25°C, 24V, 5A |
| MTBF SN 29500, IEC 61709 | | 638 000h | 661 000h | 869 000h | 40°C, 24V, 5A |
| | | 542 000h | 562 000h | 739 000h | 40°C, 24V, 6A |
| | | 1 077 000h | 1 111 000h | 1 495 000h | 25°C, 24V, 5A |
| MTBF MIL HDBK 217F | | 552 000h | 546 000h | 574 000h | 40°C, 24V, 5A, Ground Benign GB40 |
| | | 497 000h | 491 000h | 517 000h | 40°C, 24V, 6A, Ground Benign GB40 |
| | | 788 000h | 775 000h | 800 000h | 25°C, 24V, 5A, Ground Benign GB25 |

The **Lifetime expectancy** shown in the table indicates the operating hours (service life) and is determined by the lifetime expectancy of the built-in electrolytic capacitors.

Lifetime expectancy is specified in operational hours. Lifetime expectancy is calculated according to the capacitor's manufacturer specification. The prediction model allows a calculation of up to 15 years from date of shipment.

MTBF stands for **Mean Time Between Failure**, which is calculated according to statistical device failures, and indicates reliability of a device. It is the statistical representation of the likelihood of a unit to fail and does not necessarily represent the life of a product.

12. FRONT SIDE AND USER ELEMENTS

Fig. 12-1 Front side

Output Terminals

Screw terminals
(Spring-clamp terminals on the CS5.241-S1)

- + Positive output
- Negative (return) output
- Dual pins per pole

Output voltage potentiometer

Open the flap to tune the output voltage.
Factory set: 24.1V

DC-on lamp (green)

On when the voltage on the output terminals is > 21 V

Input Terminals

Screw terminals
(Spring-clamp terminals on the CS5.241-S1)

- N** ... Neutral input
- L** ... Line (hot) input
- ⊕** ... PE (Protective Earth) input



13. TERMINALS AND WIRING

| | |
|-------------------------------|---|
| Type | Screw terminals (CS5.241, CS5.241-C1),); Spring-clamp terminals (CS5.241-S1) |
| Solid wire | 0.5-6mm ² |
| Stranded wire | 0.5-4mm ² |
| American wire gauge | 20-10 AWG |
| Ferrules | allowed, but not required |
| Wire stripping length | 7mm / 0.275inch |
| Screwdriver | 3.5mm slotted or Pozidrive No 2 (only for screw terminals) |
| Recommended tightening torque | 0.8Nm, 7lb.in (only for screw terminals) |

Instructions:

- a) Use appropriate copper cables that are designed for an operating temperature of: 60°C for ambient up to 45°C and 75°C for ambient up to 60°C minimum.
- b) Follow national installation codes and installation regulations!
- c) Ensure that all strands of a stranded wire enter the terminal connection!
- d) Up to two stranded wires with the same cross section are permitted in one connection point (except PE wire).
- e) Do not use the unit without PE connection.

14. EMC

The CE mark is in conformance with EMC guideline 89/336/EEC and 93/68/EEC and the low-voltage directive (LVD) 73/23/EWG. A detailed EMC Report is available on request.

| EMC Immunity | EN 61000-6-2 EN 61000-6-1 | | Generic standards | |
|--------------------------|---------------------------|--|---|--|
| Electrostatic discharge | EN 61000-4-2 | Contact discharge Air discharge | 8kV 15kV | Criterion A Criterion A |
| Electromagnetic RF field | EN 61000-4-3 | 80MHz-1GHz | 10V/m | Criterion A |
| Fast transients (Burst) | EN 61000-4-4 | Input lines Output lines | 4kV 2kV | Criterion A Criterion A |
| Surge voltage on input | EN 61000-4-5 | L → N N / L → PE | 2kV 4kV | Criterion A Criterion A |
| Surge voltage on output | EN 61000-4-5 | + → - + / - → PE | 500V 500V | Criterion A Criterion A |
| Conducted disturbance | EN 61000-4-6 | 0,15-80MHz | 10V | Criterion A |
| Mains voltage dips | EN 61000-4-11 | 0% of 100Vac 40% of 100Vac 70% of 100Vac 0% of 200Vac 40% of 200Vac 70% of 200Vac | 0Vac, 20ms 40Vac, 200ms 70Vac, 500ms 0Vac, 20ms 80Vac, 200ms 140Vac, 500ms | Criterion A Criterion C Criterion A Criterion A Criterion C Criterion A |
| Voltage interruptions | EN 61000-4-11 | | 0Vac, 5000ms | Criterion C |
| Input voltage swells | PULS internal standard | | 300Vac, 500ms | Criterion A |
| Powerful transients | VDE 0160 | over entire load range | 750V, 1.3ms | Criterion A |

Criteria:

A: Power supply shows normal operation behavior within the defined limits.

C: Temporary loss of function is possible. Power supply might shut-down and restarts by itself. No damages or hazards for the power supply occur.

| | | |
|----------------------------|------------------|-----------------------------------|
| Switching frequency | 175kHz to 225kHz | input voltage dependent 24V, 2.5A |
| | 100kHz to 130kHz | input voltage dependent 24V, 5A |

| EMC Emission | EN 61000-6-4 | Generic standards |
|-------------------------------|---|---|
| Conducted emission | EN 55011, EN 55022, FCC Part 15, CISPR 11, CISPR 22 EN 55022 | Class B, input lines Class A, output lines |
| Radiated emission | EN 55011, EN 55022 | Class B |
| Harmonic input current | EN 61000-3-2 | >2.7A output current not fulfilled |
| Voltage fluctuations, flicker | EN 61000-3-3 | fulfilled |

This device complies with FCC Part 15 rules.

Operation is subjected to following two conditions: (1) this device may not cause harmful interference, and (2) this device must accept any interference received, including interference that may cause undesired operation.

Above an average output current of 2.7A, the harmonic current standard EN61000-3-2 is not fulfilled.

Please note:

A power supply has to comply with EN 61000-3-2 (Standard for harmonic input current) when:

- 1) the end-device is used within the European Union **and**
- 2) the end-device is connected to a public mains supply with a nominal voltage $\geq 220V_{ac}$ **and**
- 3) the power supply is:
 - fitted in an end-device with an average input power in excess of 75W **or**
 - fitted in an end-device with a continuous input power in excess of 75W **or**
 - part of a lighting system.

Exceptions:

End-devices for professional applications with an input power > 1000W do not need to fulfill EN 61000-3-2.

Comments:

- The average input power must be determined in accordance with EN 61000-3-2.
- Industrial mains supplies with their own transformer are considered to be "non-public".
- Where individual self-contained items of equipment are installed in a rack or case (e.g. devices connected in parallel), they are regarded as being individually connected to the mains supply. The rack or case need not be tested as a whole. Alternatively it is also permitted to assess the whole rack or case. This is recommended for devices used in professional applications with an input power greater than 1000W.

15. ENVIRONMENT

| | | |
|---------------------------------|---|--|
| Operational temperature | -25°C to +70°C (-13°F to 158°F) | reduce output power according Fig. 15-1 |
| Output de-rating | 1.6W/°C 3W/°C | 45-60°C (113°F to 140°F), 60-70°C (140°F to 158°F), storage and transportation |
| Storage temperature | -40 to +85°C (-40°F to 185°F) | IEC 60068-2-30 Do not energize while condensation is present |
| Humidity | 5 to 95% r.H. | IEC 60068-2-6 |
| Vibration sinusoidal | 2-17.8Hz: ±1.6mm; 17.8-500Hz: 2g 2 hours / axis | IEC 60068-2-27 |
| Shock | 30g 6ms, 20g 11ms 3 bumps / direction, 18 bumps in total | IEC 60068-2-27 |
| Altitude | 0 to 6000m (0 to 20 000ft) | Reduce output power or ambient temperature above 2000m sea level. |
| Output de-rating (for altitude) | 7.5W/1000m or 5°C/1000m | above 2000m (6500ft), see Fig. 15-2 |
| Over-voltage category | III II | EN 50178, altitudes up to 2000m Altitudes from 2000m to 6000m |
| Degree of pollution | 2 | EN 50178, not conductive |

Fig. 15-1 Output current vs. ambient temp.,

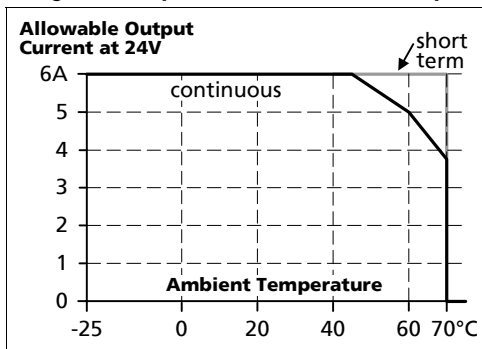
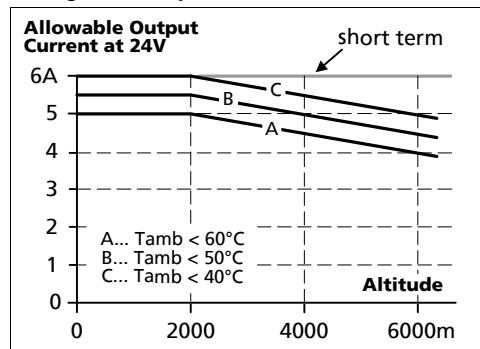


Fig. 15-2 Output current vs. altitude, 24V



The ambient temperature is defined 2cm below the unit.

16. PROTECTION FEATURES

| | | |
|--------------------------------|---|---|
| Output protection | Electronically protected against overload, no-load and short-circuits | |
| Output over-voltage protection | typ. 35Vdc max. 39Vdc | In case of an internal power supply defect, a redundant circuitry limits the maximum output voltage. The output shuts down and automatically attempts to restart. |
| Output over-current protection | electronically limited | see Fig. 8-1 |
| Degree of protection | IP 20 | EN/IEC 60529 |
| Penetration protection | > 3.5mm | e.g. screws, small parts |
| Over-temperature protection | yes | output shut-down with automatic restart |
| Input transient protection | MOV | Metal Oxide Varistor |
| Internal input fuse | T4A H.B.C. | not user replaceable |

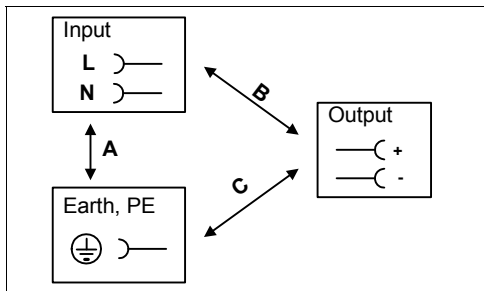
Note: In case of a protection event, audible noise may occur.

17. SAFETY

| | | |
|---------------------------------|---|--|
| Input / output separation | SELV PELV double or reinforced insulation | IEC/EN 60950-1 EN 60204-1, EN 50178, IEC 60364-4-41 |
| Class of protection | I | PE (Protective Earth) connection required |
| Isolation resistance | > 5MΩ | input to output, 500Vdc |
| PE resistance | < 0.1Ω | between housing and PE terminal |
| Touch current (leakage current) | typ. 0.24mA typ. 0.35mA typ. 0.40mA < 0.36mA < 0.53mA < 0.60mA | 100Vac, 50Hz, TN mains 120Vac, 60Hz, TN mains 230Vac, 50Hz, TN mains 110Vac, 50Hz, TN mains 132Vac, 60Hz, TN mains 264Vac, 50Hz, TN mains |

18. DIELECTRIC STRENGTH

Fig. 18-1 Dielectric strength



| | | A | B | C |
|--------------|-----|---------|---------|--------|
| Type test | 60s | 2500Vac | 3000Vac | 500Vac |
| Factory test | 5s | 2500Vac | 2500Vac | 500Vac |
| Field test | 5s | 2000Vac | 2000Vac | 500Vac |

Type tests and factory tests:

Conducted by the manufacturer. Do not repeat test in field!




Rules for field test:

Use appropriate test equipment which applies the voltage with a slow ramp! Connect L and N together as well as all output poles.

The output voltage is floating and has no ohmic connection to ground.

To fulfill the PELV requirements according to EN60204-1 § 6.4.1, we recommend that either the + pole, the - pole or any other part of the output circuit shall be connected to the protective earth system. This helps to avoid situations in which a load starts unexpectedly or can not be switched off any more when unnoticed earth faults occur.

19. APPROVALS

| | | |
|----------------|---|--|
| IEC 60950-1 | IECEE CB SCHEME | CB Scheme, Information Technology Equipment |
| UL 508 |  | LISTED as Industrial Control Equipment E198865 |
| UL 60950-1 |  | RECOGNIZED E137006 recognized for the use in U.S.A. (UL 60950-1) and Canada (C22.2 No. 60950) Information Technology Equipment, Level 3 |
| Marine pending |  | GL (Germanischer Lloyd) classified and ABS (American Bureau for Shipping) PDA for marine and offshore applications. Environmental category: C, EMC2 |

20. FULFILLED STANDARDS

| | |
|----------------|---|
| EN 61558-2-17 | Safety of Power Transformers |
| EN/IEC 60204-1 | Safety of Electrical Equipment of Machines |
| EN/IEC 61131-2 | Programmable Controllers |
| EN 50178 | Electronic Equipment in Power Installations |

21. USED SUBSTANCES

The unit does not release any silicone and is suitable for the use in paint shops.

Electrolytic capacitors included in this unit do not use electrolytes such as Quaternary Ammonium Salt Systems.

Plastic housings and other molded plastic materials are free of halogens, wires and cables are not PVC insulated.

The production material within our production does not include following toxic chemicals:

Polychlorized Biphenyl (PCB), Polychlorized Terphenyl (PCB), Pentachlorophenol (PCP), Polychlorinated naphthalene (PCN), Polybrom Biphenyl (PBB), Polybrom Bipheny-oxyd (PBO), Polybrominated Diphenylether (PBDE), Polychlorinated Diphenylether (PCDE), Polydibromphenyl Oxyd (PBDO), Cadmium, Asbest, Mercury, Silicia

22. PHYSICAL DIMENSIONS AND WEIGHT

| | |
|----------|---|
| Weight | 500g / 1.1lb |
| DIN-Rail | Use 35mm DIN-rails according to EN 60715 or EN 50022 with a height of 7.5 or 15mm. The DIN-rail height must be added to the depth (117mm) to calculate the total required installation depth. |

Electronic files with mechanical data can be downloaded at www.pulspower.com

Fig. 22-1 **Front view**

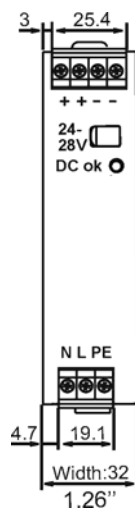
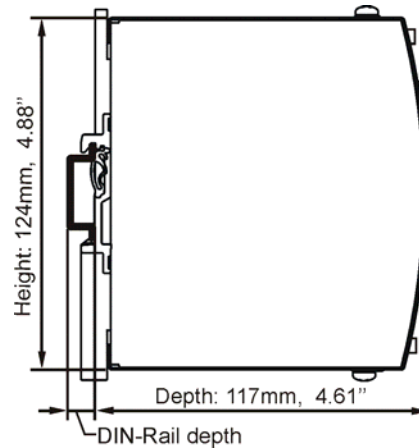


Fig. 22-2 **Side view**



23. INSTALLATION AND OPERATION INSTRUCTIONS

Mounting Orientation:

Output terminal must be located on top and input terminal on the bottom. For other orientations see chapter 25.12. An appropriate electrical and fire end-product enclosure needs to be considered in the end use application.

Cooling:

Convection cooled, no forced cooling required. Do not cover ventilation grid (e.g. cable conduits) by more than 30%!

Installation clearances:

40mm on top, 20mm on the bottom, 5mm on the left and right side are recommended when loaded permanently with full power. In case the adjacent device is a heat source, 15mm clearance are recommended.

Risk of electrical shock, fire, personal injury or death!

Do not use the unit without proper earth connection (Protective Earth). Use the pin on the terminal block for earth connection and not one of the screws on the housing.

Turn power off before working on the power supply. Protect against inadvertent re-powering.

Make sure the wiring is correct by following all local and national codes.

Do not open, modify or repair the unit.

Use caution to prevent any foreign objects from entering into the housing.

Do not use in wet locations or in areas where moisture or condensation can be expected.

Service parts:

The unit does not contain any service parts. The tripping of an internal fuse is caused by an internal defect. If damage or malfunctioning should occur during operation, immediately turn power off and send unit to factory for inspection!

24. ACCESSORY

ZM1.WALL Wall mounting bracket

This bracket is used to mount Dimension units onto a flat surface without utilizing a DIN-Rail. The two aluminum brackets and the black plastic slider of the unit have to be detached, so that the two steel brackets can be mounted.

Fig. 24-1 ZM1.WALL Wall Mounting Bracket

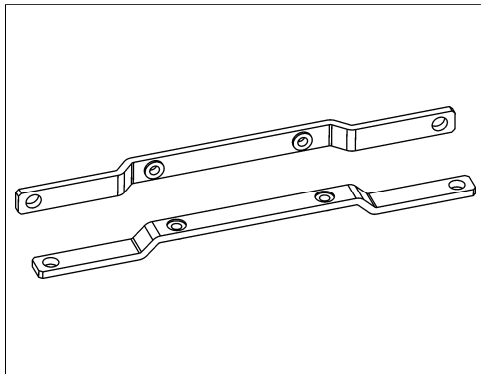
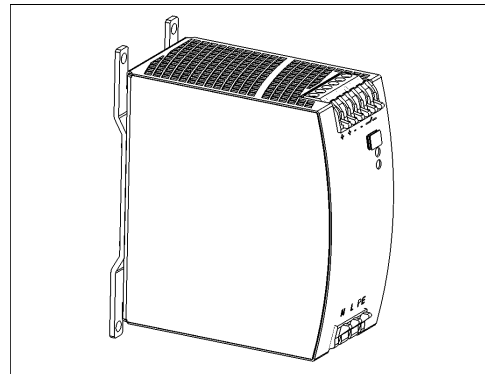


Fig. 24-2 Assembled Wall Mounting Bracket



ZM11.SIDE Side mounting bracket

This bracket is used to mount Dimension units sideways with or without utilizing a DIN-Rail. The two aluminum brackets and the black plastic slider of the unit have to be detached, so that the steel brackets can be mounted.

For sideways DIN-rail mounting, the removed aluminum brackets and the black plastic slider need to be mounted on the steel bracket.

Fig. 24-3 ZM11.SIDE Side Mounting Bracket

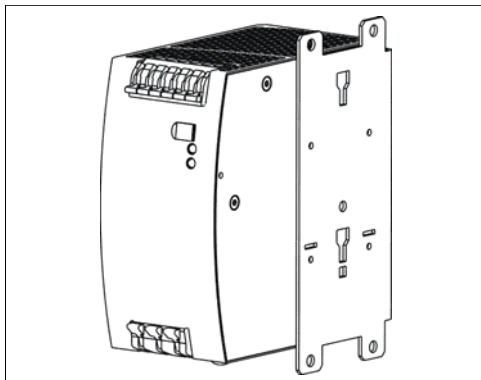
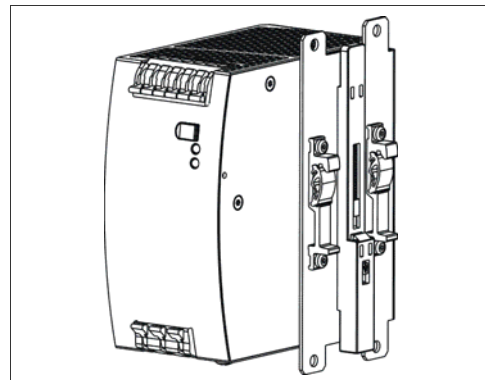


Fig. 24-4 Side Mounting with DIN-rail brackets



25. APPLICATION NOTES

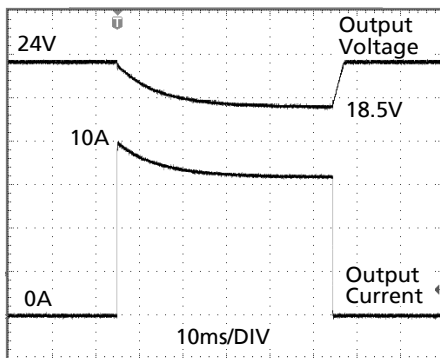
25.1. PEAK CURRENT CAPABILITY

Solenoids, contactors and pneumatic modules often have a steady state coil and a pick-up coil. The inrush current demand of the pick-up coil is several times higher than the steady state current and usually exceeds the nominal output current (including the PowerBoost). The same situation applies, when starting a capacitive load.

Branch circuits are often protected with circuit breakers or fuses. In case of a short or an overload in the branch circuit, the fuse needs a certain amount of over-current to trip or to blow. The peak current capability ensures the safe operation of subsequent circuit breakers.

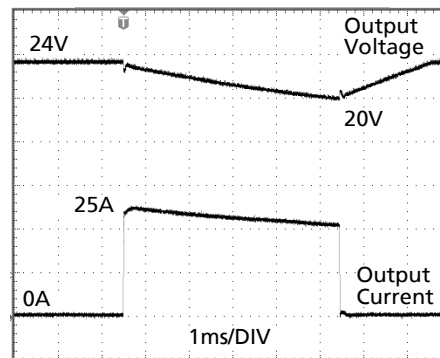
Assuming the input voltage is turned on before such an event, the built-in large sized output capacitors inside the power supply can deliver extra current. Discharging this capacitor causes a voltage dip on the output. The following two examples show typical voltage dips:

Fig. 25-1 Peak load 10A for 50ms, typ.



Peak load 10A (resistive) for 50ms
Output voltage dips from 24V to 18.5V.

Fig. 25-2 Peak load 25A for 5ms, typ.



Peak load 25A (resistive) for 5ms
Output voltage dips from 24V to 20V.

25.2. CHARGING OF BATTERIES

The power supply shall not be used to charge batteries. Choose Q-Series for charging batteries.

25.3. BACK-FEEDING LOADS

Loads such as decelerating motors and inductors can feed voltage back to the power supply. This feature is also called return voltage immunity or resistance against Back- E.M.F. (Electro Magnetic Force).

This power supply is resistant and does not show malfunctioning when a load feeds back voltage to the power supply. It does not matter, whether the power supply is on or off.

The maximum allowed feed back voltage is 35Vdc. The absorbing energy can be calculated according to the built-in large sized output capacitor which is specified in chapter 8.

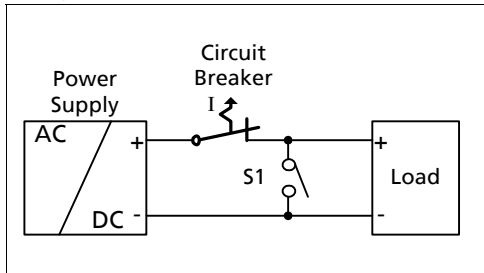
25.4. OUTPUT CIRCUIT BREAKERS

Standard miniature circuit breakers (MCBs) can be used for branch protection. Ensure that the MCB is rated for DC voltage, too. The following tests show which circuit breakers the power supply typically trips.

Circuit breakers have huge tolerances in their tripping behavior. Therefore, these typical tests can only be used as a recommendation or for comparing two different power supplies. Furthermore, the loop impedance has a major influence on whether a breaker trips or not. Two tests were performed, representing typical situations:

Test 1: Short circuit with S1 on the power supply end of the cable (loop impedance approx. 20mOhm)

Fig. 25-3 Branch protectors, test circuit 1



Parameters:

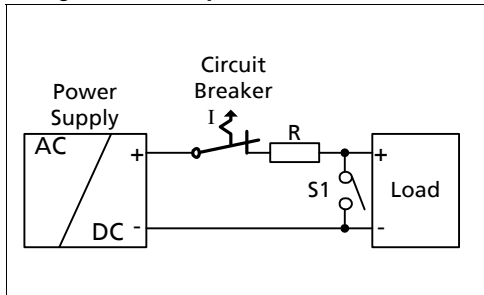
Input voltage: 230Vac, load current: 0A

The following circuit breaker tripped during the test:

- A- or Z- Characteristic:** equal or smaller 8A
- B- Characteristic:** no tripping $\geq 6A$
no breaker available $< 6A$
- C- Characteristic:** equal or smaller 4A

Test 2: Short circuit with S1 on the load end (additional impedance included; represents longer load wire length).

Fig. 25-4 Branch protectors, test circuit 2



Parameters:

Input voltage: 230Vac, load current: 0A

The following circuit breaker tripped during the test:

- A- or Z- Characteristic:** $\leq 6A$ and $R = 180m\Omega$
- B- Characteristic:** no tripping $\geq 6A$
no breaker available $< 6A$
- C- Characteristic:** $\leq 3A$ and $R = 270m\Omega$

What does this resistance mean in wire length?

| | 0.5mm ² | 0.7mm ² | 1.0mm ² | 1.5mm ² | 2.5mm ² | 4.0mm ² |
|----------------|--------------------|--------------------|--------------------|--------------------|--------------------|--------------------|
| 180mOhm | 5.0m | 7.0m | 10m | 15m | 25m | 40m |
| 270mOhm | 7.5m | 10.5m | 15m | 23m | 38m | 60m |

Example:

Which wire gauge must be used to trip a C-Characteristic circuit breaker with a rating of 3A? The load wire length is 21m.

Answer: A 3A C-Characteristic circuit breaker requires a loop impedance of less than 270mOhm (test results). The wire length table shows that up to 23m wire with a cross section of 1.5mm² are below 270mOhm. A wire not smaller than 1.5mm² shall be used.

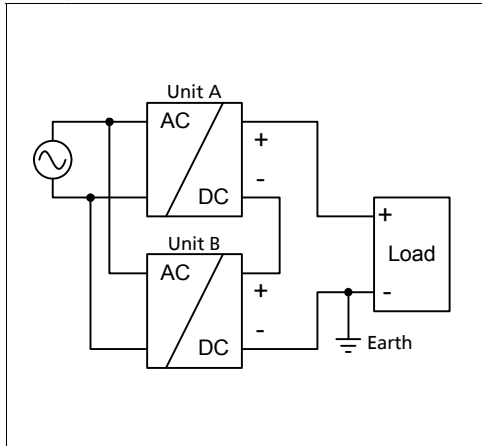
25.5. INDUCTIVE AND CAPACITIVE LOADS

The unit is designed to supply any kind of load, including unlimited capacitive and inductive loads.

25.6. SERIES OPERATION

The power supply can be put in series to increase the output voltage.

Fig. 25-5 Schematic for series operation



Instructions for use in series:

- It is possible to connect as many units in series as needed, providing the sum of the output voltage does not exceed 150Vdc.
- Voltages with a potential above 60Vdc are not SELV any more and can be dangerous. Such voltages must be installed with a protection against touching.
- For serial operation use power supplies of the same type.
- Earthing of the output is required when the sum of the output voltage is above 60Vdc.
- Keep an installation clearance of 15mm (left/right) between two power supplies and avoid installing the power supplies on top of each other.

Note: Avoid return voltage (e.g. from a decelerating motor or battery) which is applied to the output terminals.

25.7. PARALLEL USE TO INCREASE OUTPUT POWER

The power supply shall not be used in parallel to increase the output power.

25.8. PARALLEL USE FOR 1+1 REDUNDANCY

Power supplies can be paralleled for 1+1 redundancy to gain a higher system availability. Redundant systems require a certain amount of extra power to support the load in case one power supply unit fails. The simplest way is to put two C-Series power supplies in parallel. In case one power supply unit fails, the other one is automatically able to support the load current without any interruption. This simple way to build a redundant system has two major disadvantages:

- The faulty power supply can not be recognized. The green LED will still be on since it is reverse-powered from the other power supply.
- It does not cover failures such as an internal short circuit in the secondary side of the power supply. In such a - virtually nearly impossible - case, the defective unit becomes a load for the other power supplies and the output voltage can not be maintained any more.

This can only be avoided by utilizing decoupling diodes which are included in the decoupling module YR2.DIODE or redundancy module YRM2.DIODE.

Recommendations for building redundant power systems:

- Use separate input fuses for each power supply.
- Monitor the individual power supply units. A DC-ok lamp and a DC-ok contact is included in the redundancy module YRM2.DIODE. This feature reports a faulty unit.
- When possible, connect each power supply to different phases or circuits.

25.9. EXTERNAL INPUT PROTECTION

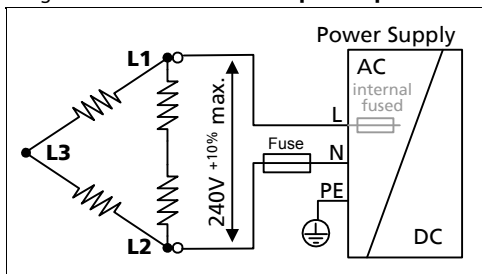
The unit is tested and approved for branch circuits up to 20A. External protection is only required if the supplying branch has an ampacity greater than this. In some countries local regulations might apply. Check also local codes and local requirements.

If an external fuse is necessary or utilized, a minimum value is required to avoid undesired tripping of the fuse.

| | | B-Characteristic | C-Characteristic |
|----------|------|------------------|------------------|
| Ampacity | max. | 20A | 20A |
| | min. | 10A | 6A |

25.10. OPERATION ON TWO PHASES

Fig. 25-6 Schematic for two phase operation



Instructions for two phase operation:

- A phase to phase connection is allowed as long as the supplying voltage is below $240V+10\%$.
- Use a fuse or a circuit breaker to protect the N input. The N input is internally not protected and is in this case connected to a hot wire.

Appropriate fuses or circuit breakers are specified in section 25.9 "External Input Protection".

25.11. USE IN A TIGHTLY SEALED ENCLOSURE

When the power supply is installed in a tightly sealed enclosure, the temperature inside the enclosure will be higher than outside. The inside temperature defines the ambient temperature for the power supply.

Results from such an installation:

Power supply is placed in the middle of the box, no other heat producer inside the box

| | |
|------------------------------|---|
| Enclosure: | Rittal Type IP66 Box PK 9516 100, plastic, 110x180x165mm |
| Load: | 24V, 4A; (=80%) load is placed outside the box |
| Input: | 230Vac |
| Temperature inside the box: | 44.3°C (in the middle of the right side of the power supply with a distance of 2cm) |
| Temperature outside the box: | 23.3°C |
| Temperature rise: | 21K |

25.12. MOUNTING ORIENTATIONS

Mounting orientations other than input terminals on the bottom and output on the top require a reduction in continuous output power or a limitation in the max. allowed ambient temperature. The amount of reduction influences the lifetime expectancy of the power supply. Therefore, two different derating curves for continuous operation can be found below:

Curve A1 Recommended output current.

Curve A2 Max allowed output current (results approx. in half the lifetime expectancy of A1).

Fig. 25-7

Mounting Orientation A
Standard Orientation

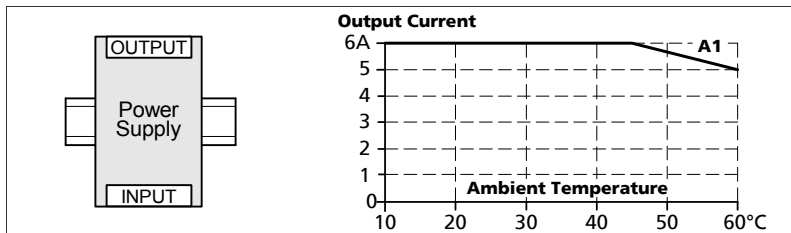


Fig. 25-8

Mounting Orientation B
(Upside down)

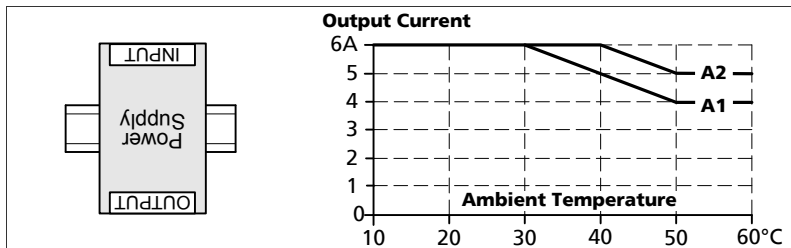


Fig. 25-9

Mounting Orientation C
(Table-top mounting)

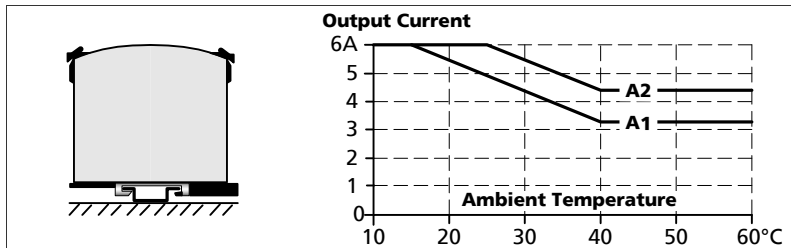


Fig. 25-10

Mounting Orientation D
(Horizontal cw)

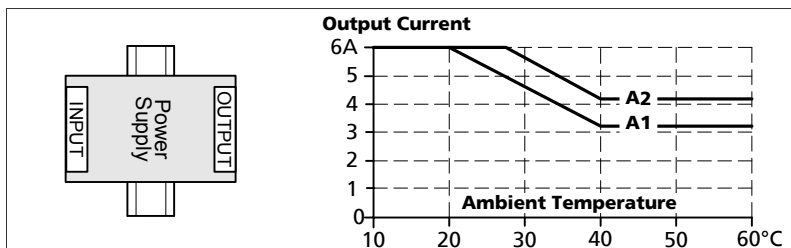


Fig. 25-11

Mounting Orientation E
(Horizontal ccw)

