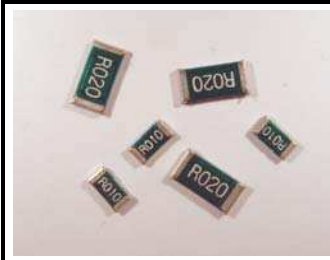


**Product Family:** [Current Sense Chip Resistor](#)

**Part Number Series:** [RL-H, RL-6, RL-9 Series](#)



**Construction:**

- High Purity Alumina Substrate
- Wrap around electrodes
- Halogen Free
- 100% matte tin over Ni terminations (RoHS compliant and Pb Free)

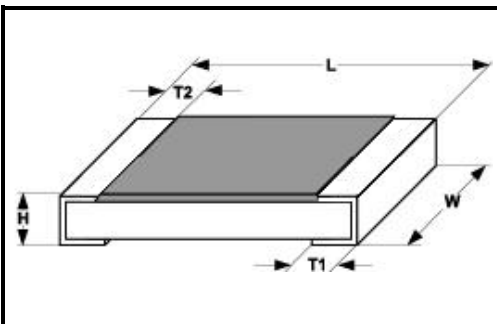
**Features:**

- 1206 and 2512 English sizes
- Tolerances of 1.0%, 2.0% and 5.0%
- Power ratings of 1/2, 1 and 2 watts
- Resistance down to 3mΩ
- High volume production suitable for commercial and special applications

**Description:**

These low resistance chip resistors exhibit excellent performance in resistance, noise performance, surface heat distribution and a lower surface temperature. These products offer higher power ratings than our traditional current sensing resistors. Useful in many current sensing applications. Available in power ratings of 1/2, 1.0 and 2.0 watts.

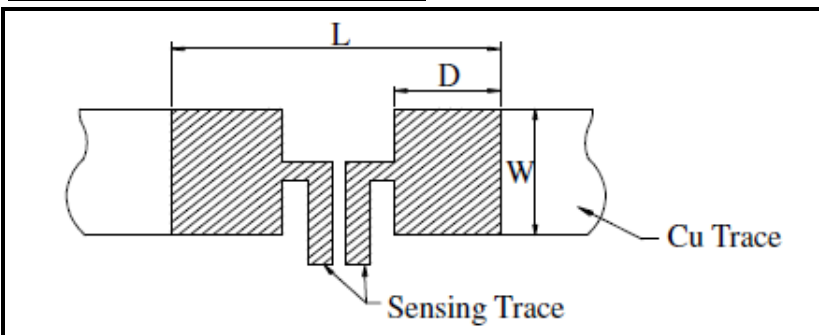
**Product Dimensions:**



Product	L	W	H	T1	T2
RL1632-H (1206)	0.126 ±0.008	0.063 ±0.008	0.032 ±0.006	0.020 ±0.006	0.020 ±0.006
RL3264-6 (2512)	0.250 ±0.010	0.126 ±0.008	0.038 ±0.006	0.039 ±0.006	0.039 ±0.006
RL3264-9 (2512)	0.250 ±0.010	0.126 ±0.008	0.028 ±0.006 (1mΩ) 0.026 ±0.006 (2mΩ) 0.020 ±0.006 (3.25mΩ)	0.099 ±0.006 (1mΩ) 0.075 ±0.006 (2mΩ) 0.079 ±0.006 (3.25mΩ)	0.099 ±0.006 (1mΩ) 0.075 ±0.006 (2mΩ) 0.079 ±0.006 (3.25mΩ)

Notes: All dimensions are shown in inches, but use metric size when ordering as shown in the part numbering section. English case sizes are shown in parenthesis.

**Recommended Land Pattern:**



Product	W	L	D
RL1632-H (1206)	0.070	0.163	0.054
RL3264-6 (2512)	0.157	0.315	0.079
RL3264-9 (2512)	0.157	0.315	0.132

- Notes:
- 1) Dimensions in inches
  - 2) We recommend there is no circuit design between the pads to avoid a short circuit.

**Part Numbering:** Ex: RL1632-H-R100F-NH

Product Designator (English Size)	Resistance Value	Resistance Tolerance	RoHS Indicator
RL1632-H- (1206) RL3264-6- (2512) RL3264-9- (2512)	Use 4 digit code for all values. "R" denotes decimal position as necessary. Ex (R100=0.100Ω)	F = ±1.0% G = ±2.0% J = ±5.0%	-NH = RoHS and Halogen Free

**Examples:**

Part Number	Size (English)	TCR	Resistance (ohms)	Tolerance
RL1632-H-R100F-NH	1632 (1206)	±50ppm/°C	R100 = 0.100Ω	±1.0% (F)
RL3264-6-R003G-NH	3264 (2512)	±100ppm/°C	R003 = 0.003Ω	±2.0% (G)
RL3264-9-R001F-NH	3264 (2512)	±200ppm/°C	R001 = 0.001Ω	±1.0% (F)

## Electrical Specifications:

Type	RL1632-H		RL3264-6		RL3264-9		
English Size	1206		2512		2512		
Power	1/2 Watt		1.0 Watt		2.0 Watt		
Resistance Range	5~10mΩ	11~150mΩ	3~10mΩ	11~100mΩ	1mΩ	2mΩ	3.25mΩ
Resistance Offering	E-24+ Values (1mΩ steps for resistances ≤10mΩ, E-24 values for resistances >10mΩ, 3.25mΩ available for RL3264-9)						
Tolerance% (code)	±1.0 (F) ±2.0(G), ±5.0 (J)						
TCR ppm/°C (code)	±100ppm	±50ppm	±100ppm	±50ppm	±200ppm	±100ppm	±50ppm
Operating Temp. Range	-55°C ~ 125°C		-55°C ~ 170°C				
Rated Voltage	$\sqrt{\text{Power} \times \text{Resistance}}$						
Insulation Resistance	100MΩ minimum						
Packaging	2,000pcs/reel						

## Power Derating Curves:

