

TELECOM MAGNETICS SM75570

Features

- Designed for use Conexant SMART HSF FF2A
- UL1950 / EN60950 and BABT approved
- SMT package
- Small size



ELECTRICAL SPECIFICATIONS AT 25°C

TURNS RATIO (1-2) : (3-4)

1 : 2 ± 2%

OCL @100kHz, 1V (1-2)

40µH MIN

LEAKAGE INDUCTANCE @4MHz, 1V

8µH MAX

INTERWINDING CAPACITANCE @1MHz

10pF MAX

SRF

4.0MHz TYP

DCR (1-2)

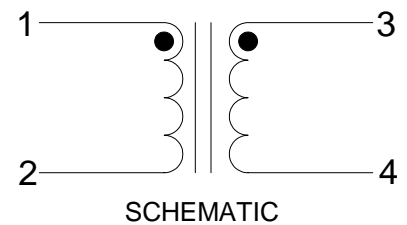
0.2Ω MAX

DCR (3-4)

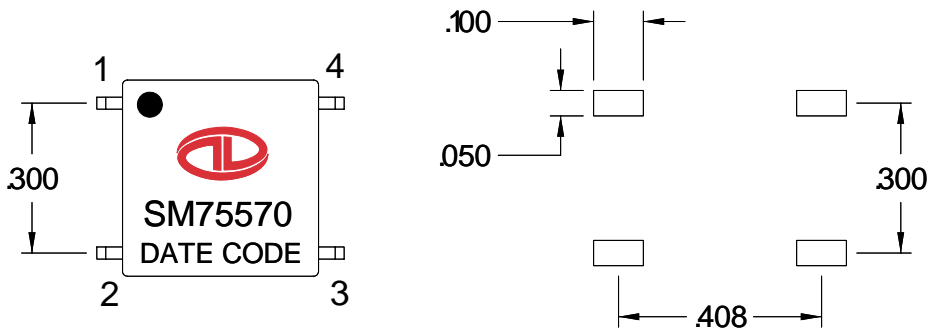
0.4Ω MAX

HIPOT PRIMARY & SECONDARY 1 MINUTE

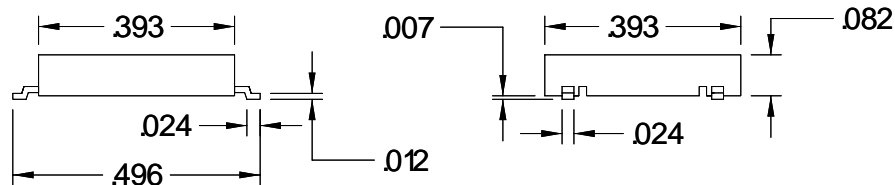
1500VRMS



OUTLINE DIMENSIONS



SUGGESTED PAD LAYOUT



1. All dimensions are in inches and typical unless otherwise specified.
2. Coplanarity: ±.004
3. For non-RoHS parts consult factory for special part numbers.