

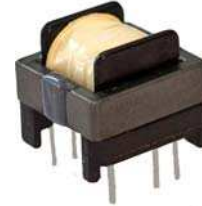


PT79262
Flyback Transformer

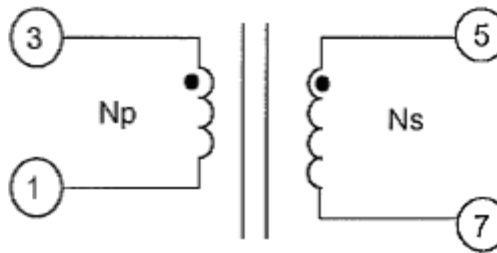
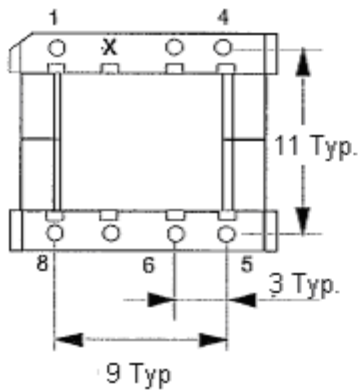
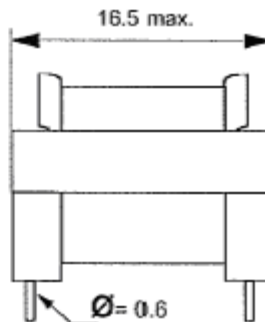
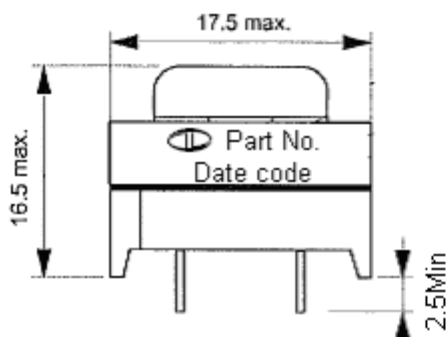
- Designed to be used with ON Semiconductor Chip Set NCP1014AP100
- Operating temperature: -40°C to +85°C

Electrical specifications @ +25 °C

Ls (3-1)	3.3mH ±15% @1kHz, 0.1V
Le (3-1)	44µH Typ @100kHz, 0.1V, Short 5-7
DCR (3-1)	4.8 Ω Max
DCR (5-7)	220 mΩ Max
T/R (3-1) : (5-7)	1 : 0.134 ±2%
Phase	3 and 5 are the same phase
Hipot	Pri to Sec @ 3K Vac, 1 Sec Min
Hipot	Pri to Core @ 1.5K Vac, 1 Sec Min



Mechanical Dimensions and Schematic



Schematic

Vin 85 to 265 Vac
fsw = 100 KHz

All dimensions are in millimeters
Unless specified otherwise the tolerance is ±0.25mm