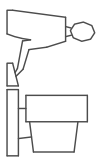
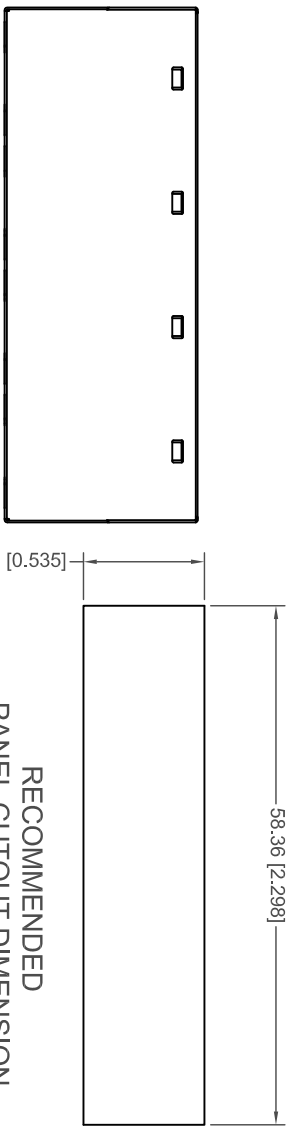


TOLERANCE UNLESS OTHERWISE SPECIFIED IN MM:	ANGLE	3°
0	± 0.50	
0.0	± 0.38	
0.00	± 0.25	
0.000	± 0.10	

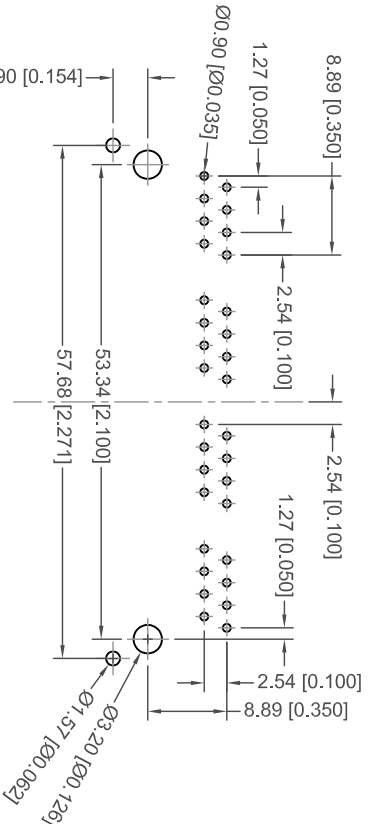
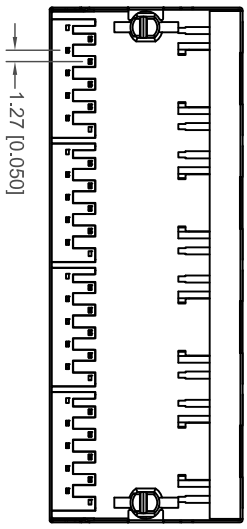
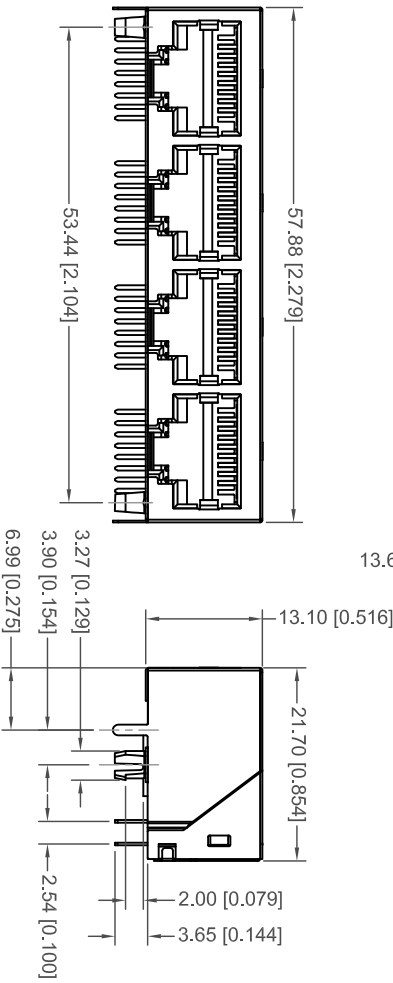
THIS IS A C.A.D. GENERATED DRAWING  
DO NOT MAKE MANUAL REVISIONS TO MASTER.



ISSUE NUMBER  
ORIGINAL  
①



**RECOMMENDED  
PANEL CUTOUT DIMENSION**



**RECOMMENDED P.C.B. LAYOUT  
TOLERANCE: ±0.05[±0.002]**

- NOTES:**
1. MATERIALS:
  - HOUSING: NYLON PA46 WITH GLASS FIBER, UL94 V-0, COLOR: BLACK
  - CONTACTS: 0.35MM PHOSPHOR BRONZE PLATED WITH GOLD PLATING AND TIN IN SOLDER AREA
  - OVER 50u" NICKEL PLATING ALL OVER

PART NO	GOLD PLATING THICKNESS
A63-142-300N161	GOLD FLASH PLATING
A63-143-300N161	15 MICRO INCHES OF GOLD
A63-144-300N161	30 MICRO INCHES OF GOLD

- SHIELD: 0.20MM COPPER ALLOY WITH NICKEL PLATING**
2. OPERATING TEMPERATURE: 0°C TO +70°C
  3. MATE WITH MODULAR PLUG CONFORMING TO FCC PART 68, SUBPART F.
  4. DIMENSION: MM [INCHES]

**4 PORT, RJ45 MAGNETIC JACK WITHOUT LED, 8P8C  
SHIELDED/10/100 Mbps FILTER**

ACAD REFERENCE NO.: A63-143-300N161	DATE: NOV. 19/2010
DRAWN: R.STA.MONICA	DATE: NOV. 19/2010
CHECKED:	DATE:

EDAC INC TORONTO, ONTARIO CANADA	THESE DRAWINGS AND SPECIFICATIONS ARE THE PROPERTY OF EDAC INC. AND SHALL NOT BE REPRODUCED OR COPIED OR USED AS THE BASIS FOR THE MANUFACTURE OR SALE OF APPARATUS WITHOUT WRITTEN PERMISSION.	PART NUMBER <b>SEE NOTE</b>	SHEET 1 OF 2
EDAC INC TORONTO, ONTARIO CANADA	YOUR CONNECTION TO QUALITY & SERVICE	DRAWING NUMBER <b>A63-142-300N161</b>	ISSUE 1

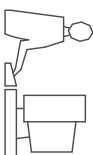


THIS SERIES FULLY CONFORMS TO THE EUROPEAN UNION DIRECTIVES 2002/95/EC AND 2002/96/EC FOR ROHS COMPLIANCY.

ELECTRICAL CIRCUIT:

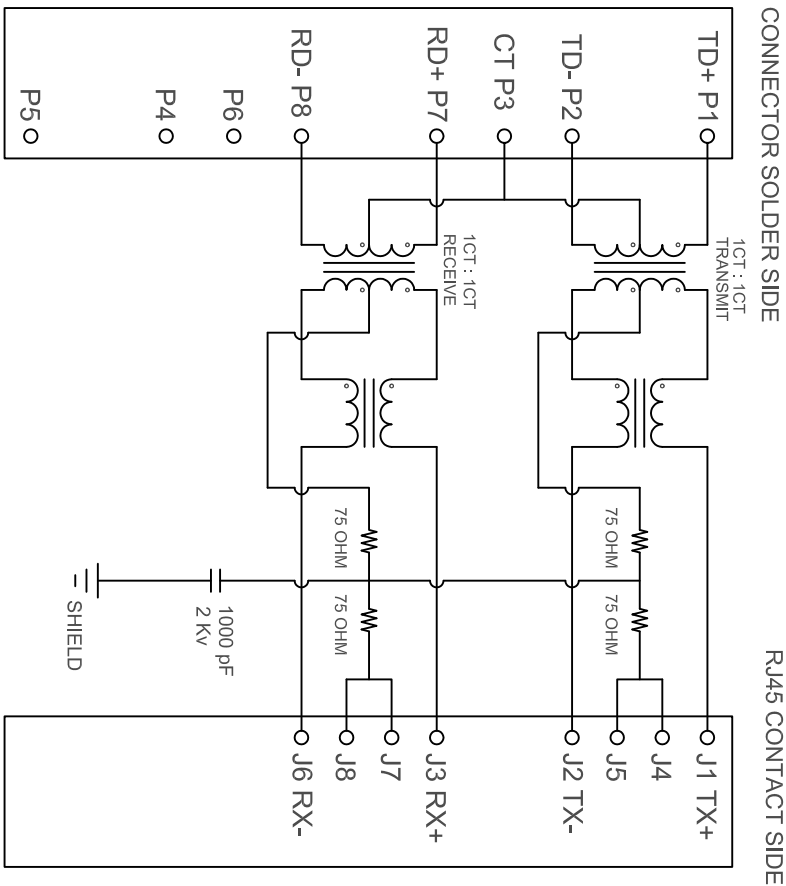
TOLERANCE UNLESS OTHERWISE SPECIFIED IN MM:	ANGLE
0	3°
± 0.50	
± 0.38	
0.00	
± 0.25	
0.000	
± 0.10	

THIS IS A C.A.D. GENERATED DRAWING  
DO NOT MAKE MANUAL REVISIONS TO MASTER.



ISSUE NUMBER  
ORIGINAL

1



TEST NOTES:(25±5°C)

- 1.TR:(100KHZ,0.1V):  
PINS:(P1,P2):(J1,J2)=1:1±3%  
PINS:(P7,P8):(J3,J6)=1:1±3%
- 2.LX:(100KHZ,100mV,8mA, DC Bias)  
PINS: (P1,P2),(P7,P8)=350ΩH MINIMUM
- 3.DCR:  
PINS:(J1-J2),(J3-J6)= 1.2 OHMS MAXIMUM
- 4.HIPOT:  
PINS(P1,P3,P2)TO(J1,J2)=1500VAC FOR 2 SECONDS  
PINS(P7,P3,P8)TO(J3,J6)=1500VAC FOR 2 SECONDS
- 5.INSERTION LOSS:  
-1.0dB MAXIMUM AT 1MHZ TO 100MHZ;
- 6.RETURN LOSS:  
-20DB MINIMUM AT 1MHZ TO 30MHZ;  
-15DB MINIMUM AT 30MHZ TO 60MHZ  
-10DB MINIMUM AT 60MHZ TO 80MHZ
- 7.CROSS TALK:  
-30DB MINIMUM AT 1MHZ TO 100MHZ
- 8.COMMON TO COMMON MODE REJECTION:  
-30DB MINIMUM AT 1MHZ TO 100MHZ

4 PORT, RJ45 MAGNETIC JACK WITHOUT LED, 8P8C  
SHIELDED/10/100 Mbps FILTER

ACAD REFERENCE NO.: A63-143-300N161

DRAWN: R.STA.MONICA DATE: NOV.19/2010

CHECKED: DATE:

PART NUMBER

SEE NOTE

SHEET 2 OF 2

DRAWING NUMBER

A63-142-300N161

ISSUE

1



THIS SERIES FULLY CONFORMS TO THE  
EUROPEAN UNION DIRECTIVES 2002/95/EC  
AND 2002/96/EC FOR ROHS COMPLIANCY.



EDAC INC  
TORONTO, ONTARIO  
CANADA

YOUR CONNECTION TO QUALITY & SERVICE

THESE DRAWINGS AND SPECIFICATIONS  
ARE THE PROPERTY OF EDAC INC. AND  
SHALL NOT BE REPRODUCED OR COPIED  
OR USED AS THE BASIS FOR THE  
MANUFACTURE OR SALE OF APPARATUS  
WITHOUT WRITTEN PERMISSION.