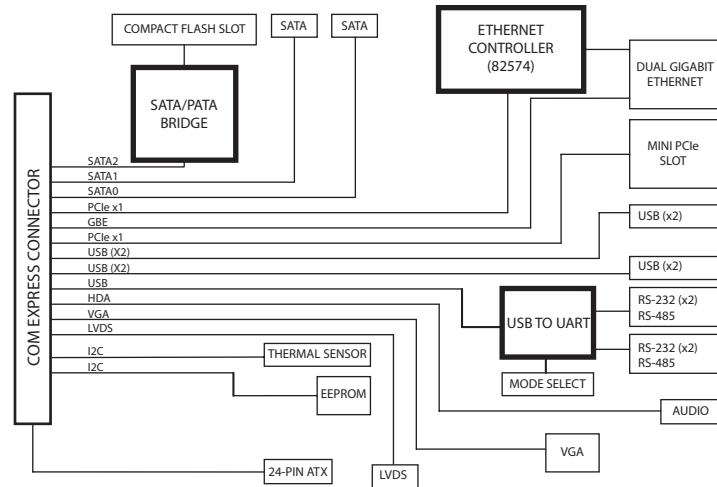


ACEX4405 COM Express Module Carrier Card



Supports Type 2/3 COM Express module ♦ Mini PCIe site ♦ ATX power connector ♦ Locking connectors

Description

Acromag's ACEX4405-L carrier card supports both Type 2 and Type 3 COM Express modules at a small footprint of only 95mm x 125mm. Designed for extreme applications, the ACEX4405-L has an extra rigid PCB and extended temperature support.

Key Features & Benefits

- Mini PCIe site for I/O expansion
- Compact Flash site with ejector
- COM module must support SATA2
- Dual Gigabit Ethernet (if supported by COM Express module)
- Optional fan power interface
- Standard ATX power connector
- LVDS for LCD panel display
- LCD backlight control
- Power and status LEDs

Performance Specifications

General

- Form Factor**
Small (SFF): 95mm x 125mm.
- PICMG Compliance**
Complies with PICMG COM.0.
- Processor**
Supports Type 2 and Type 3 COM Express module (i.e., ATOM™, Pentium® Core™ 2 Duo, Core™ i7, PowerPC™).
- Flash Memory**
On-board compact flash site (if COM module supports SATA).
- Expansion**
Mini PCIe socket 30mm x 51mm.
- Connector Types**
Ethernet: RJ45.
LVDS/LCD: 30-pin single row, dual channel.
VGA: 16-pin, dual row.
HD Audio: 10-pin, dual row.
SATA: SATA Header with latch.
RS-232/485: Serial 10-pin dual row.
USB: 10-pin, dual row.
- Software Support**
See COM Express module.

Environmental

- Operating temperature**
0 to 70°C.
- Storage temperature**
-40 to 105°C.
- Relative humidity**
20 to 80% non-condensing.
- Shock**
Operating:
30g peak acceleration, 11ms duration.
Non-operating:
50g peak acceleration, 11ms duration.
- Vibration (5Hz-2kHz)**
Operating:
0.015" (380µm) peak-to-peak displacement,
2.5g max acceleration.
Non-operating:
0.030" (760µm) peak-to-peak displacement,
5.0g max acceleration.

Ordering Information

Carrier Cards

ACEX4405-L
COM Express module carrier card

Accessories

For more information, see www.acromag.com.