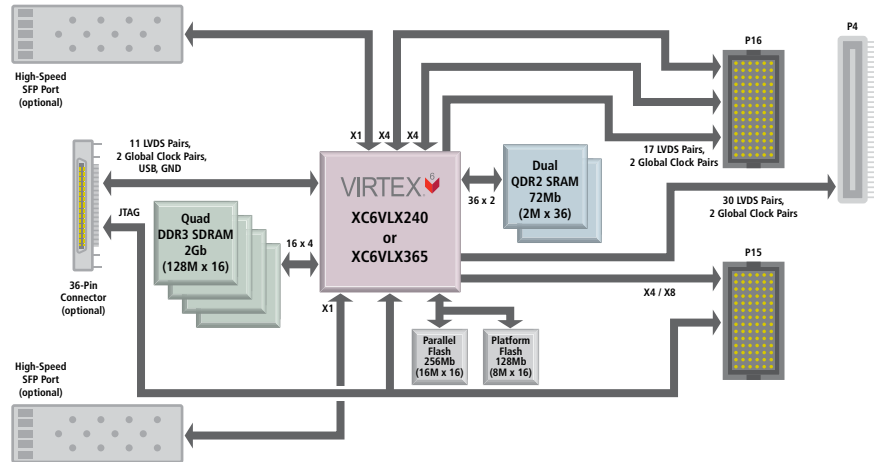


XMC Modules

XMC-6VLX User-Configurable Virtex-6 FPGA Modules

24 HOUR STOCK ITEM
2 YEAR WARRANTY



VIRTEX⁶

XMC module with PCIe and SRIO/Aurora interface ♦ Logic-optimized Virtex-6 FPGA ♦ Gigabit Ethernet

Description

Acromag's XMC-6VLX modules feature a high-performance user-configurable Xilinx® Virtex®-6 FPGA enhanced with high-speed memory and a high-throughput serial interface. The result is a powerful and flexible I/O processor module that is capable of executing custom instruction sets and algorithms.

The logic-optimized FPGA is well-suited for a broad range of applications. Typical uses include hardware simulation, communications, in-circuit diagnostics, military servers, signal intelligence, and image processing.

Two Versions: Rear I/O or Front + Rear

Two versions of this module are available, each offering a choice of an FPGA device with 240k or 365k logic cells. One version provides only rear I/O for use in air or conduction-cooled systems. The other version adds two SFP ports and a 36-pin connector on the front but only supports air-cooled systems.

On all versions, the rear I/O provides an 8-lane high-speed serial interfaces on both the P15 and P16 XMC ports for PCI Express, Serial RapidIO, 10-Gigabit Ethernet, or Xilinx Aurora implementation. P16 also supports 34 SelectIO channels. The P4 port adds another 60 SelectIO and global clock lines. SelectIO signals are Virtex-6 FPGA I/O pins that support single-ended I/O (LVCMOS, HSTL, SSTL) and differential I/O standards (LVDS, HT, LVPECL, BLVDS, HSTL, SSTL).

Models with front I/O add dual SFP ports and a VHDCR connector. The two SFP ports each provide a copper or fibre interface of up to 2.5Gbps. They also support a Gigabit Ethernet interface. The VHDCR connector interfaces JTAG, USB, and 22 SelectIO.

With Acromag's Virtex-6 FPGA modules, you can greatly increase DSP algorithm performance for faster throughput using multiple channels and parallel hardware architectures. Free up DSP processor CPU cycles by offloading algorithmic-intensive tasks to the FPGA co-processor.

These modules are ideal for high-performance customized embedded systems. Optimize your system performance by integrating high-speed programmable logic with the flexibility of software running on MicroBlaze™ soft processors.

Acromag's Engineering Design Kit provides software utilities and example VHDL code to simplify your program development and get you running quickly. A JTAG interface enables on-board VHDL debugging. Additional Xilinx tools help finish your system faster. Maximize FPGA performance with ISE® Design Suite. And with ChipScope™ Pro tools, you can rapidly debug logic and serial interfaces

Key Features & Benefits

- Reconfigurable Xilinx Virtex-6 FPGA with 240k or 365k logic cells
- 2M x 72-bit QDRII SRAM, 128M x 64-bit DDR3 SDRAM
- 16M x 16-bit parallel flash memory for MicroBlaze program code storage
- 128Mb platform flash memory to store power-up configuration bit file for Virtex-6 FPGA
- Dual 8-lane high-speed serial interfaces on rear P15 and P16 connectors for PCIe Gen 1/2, Serial RapidIO, 10Gb Ethernet, Xilinx Aurora
- Dual SFP ports for Fibre Channel or GbE
- 60 SelectIO or 30 LVDS pairs plus 2 global clock pairs direct to FPGA via rear P4 port
- 34 SelectIO or 17 LVDS pairs plus 2 global clock pairs direct to FPGA via rear P16 port
- 22 SelectIO, 2 global clock pairs, JTAG, USB, and ground signals via front 36-pin connector
- DMA support provides data transfer between system memory and the on-board memory
- Support for Xilinx ChipScope™ Pro interface
- Designed for conduction-cooled host card

Acromag 
THE LEADER IN INDUSTRIAL I/O

Tel 248-295-0310 ■ Fax 248-624-9234 ■ solutions@acromag.com ■ www.acromag.com ■ 30765 Wixom Rd, Wixom, MI 48393 USA

XMC-6VLX User-Configurable Virtex-6 FPGA Modules

Performance Specifications

■ FPGA

FPGA device

Xilinx Virtex-6 FPGA.

Model XC6VLX240T FPGA with 241,152 logic cells and 768 DSP48E1 slices or Model XC6VLX365T with 364,032 logic cells and 576 DSP48E1 slices.

FPGA configuration

Download via JTAG or flash memory.

Example FPGA program

VHDL provided for bus interface, front & rear I/O control, SRAM read/write interface logic, and SDRAM memory interface controller. See EDK kit.

■ I/O Processing

Front high-speed I/O

Two x1 lanes via SFP connectors for Gigabit Ethernet and Fibre Channel interface

Front user I/O

36-pin connector provides JTAG connection, USB signals, 2 global differential clock pairs, 11 LVDS signal pairs, and 2 ground signals.

Rear high-speed I/O

16 high-speed serial lanes.
x8 lanes via P15 and x8 lanes via P16.

Rear user I/O

P16: 17 LVDS pairs (34 LVCMOS), 2 global clock pairs.
P4: 30 LVDS pairs (60 LVCMOS), 2 global clock pairs.

■ Engineering Design Kit

Provides user with basic information required to develop a custom FPGA program. Kit must be ordered with the first purchase of a XMC-6VLX module (see www.acromag.com for more information).

■ XMC Compliance

Complies with ANSI/VITA 42.0 specification for XMC module mechanicals and connectors.

Complies with ANSI/VITA 42.3 specification for XMC modules with PCI Express interface.

Electrical/Mechanical Interface: Single-Width Module.

■ Electrical

XMC PCIe bus interface (P15 and P16)

One 114-pin male connector (Samtec ASP-103614-05 or equivalent).

P15 primary XMC connector

8 differential pairs (Serial RapidIO, PCIe, 10-Gigabit Ethernet, or Xilinx Aurora). JTAG.

System Management (XMC provides hardware definition information read by an external controller using IPMI commands and I2C serial bus transactions.)

3.3V power: 4 pins at 1A/pin.

3.3V auxiliary power: 1 pin for system management.

Variable power (5V or 12V): 8 pins at 1A per pin.

P16 XMC connector

8 differential pairs (Serial RapidIO, PCIe, 10-Gigabit Ethernet, or Xilinx Aurora).

17 LVDS pairs or 34 SelectI/O signals (differential pairs grouped per VITA 46.0 X38s).

2 global clock pairs.

Vcco pins are powered by 2.5V and support the 2.5V I/O standards.

P4 PMC rear I/O connector

64-pin female receptacle header (AMP 120527-1 or equivalent).

64 I/O connections (30 LVDS pairs plus two global clocks).

Vcco pins powered by 2.5V and support the 2.5V I/O standards.

VHDCR connector

36-position connector (Samtec VHDCR-36-01-M-RA) mates with industry-standard VHDCI cable assemblies.

SFP host connector (optional)

SFP transceiver signals route directly to Virtex-6 FPGA. 2.5Gb/s maximum data rate.

SFP copper (Gigabit Ethernet) or fibre optic modules available from Acromag.

■ Environmental

Operating temperature

Standard models: 0 to 70°C.

Storage temperature

-55 to 125°C.

Relative humidity

5 to 95% non-condensing.

Power

3.3V (±5%): Application dependent.

12V (±5%): Application dependent.

MTBF

Contact the factory.

Ordering Information

NOTE: XMC-6VLX-EDK is required to configure FPGA.

■ XMC Modules

XMC-6VLX240

User-configurable Virtex-6 FPGA, 240k logic cells, no front I/O

XMC-6VLX240F

Same as XMC-6VLX240 plus SFP front I/O

XMC-6VLX365

User-configurable Virtex-6 FPGA, 365k logic cells, no front I/O

XMC-6VLX365F

Same as XMC-6VLX365 plus SFP front I/O

■ Accessories

5025-921

Cable, VHDCI 36-pin to SCSI-2, 6 feet long. Use with XMC-6VLX240F and XMC-6VLX365F.

■ Software

For more information, see www.acromag.com.

XMC-6VLX-EDK

Engineering Design Kit (one kit required)

PMCSW-API-VXW

VxWorks® software support package

PCISW-API-WIN

Windows® DLL software support package

PCISW-LINUX

Linux™ support (website download only)

