

Digital Timers/Counters/Tachometers



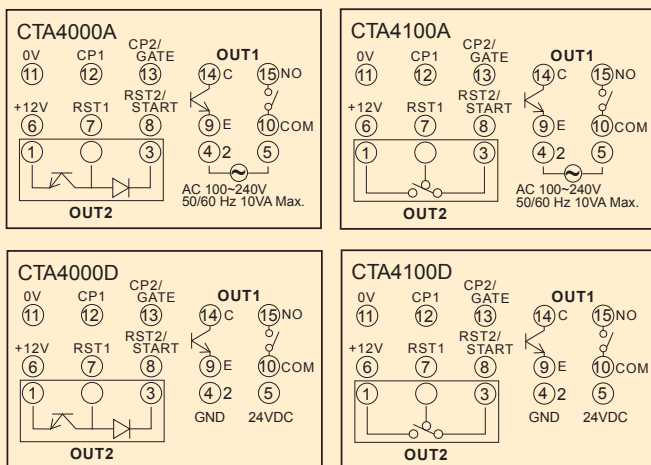
1/16 DIN



3-in-1 Timer/ Counter/Tachometer

- Operates as timer, counter, or tachometer
- 2 line x 6 digit LCD display
- Dry contact or NPN/PNP input selectable
- Dual outputs available in two configurations
- +12VDC (100mA) output for encoder or sensor power
- 12 function timer includes:
On Delay, Off Delay, Signal On, Power On Delay, Repeat Cycle, Cumulative, On/Off Cycle
- Counting modes include:
1-stage, 2-stage, batch, dual counting, and totalizing
- Maximum count speed 5K cps
- Timer + Counter mixed mode function
- Tachometer measures frequency
- "Reset" and "Lock" keys
- External Start and Reset capability

Wiring



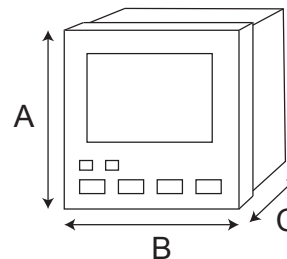
| Part Number | Input Voltage | Description |
|-------------|---------------|--|
| CTA4000A | 100-240VAC | Output 1: Transistor/Relay comb. Output 2: Transistor |
| CTA4000D | 24VDC | Output 1: Transistor/Relay comb. Output 2: Transistor |
| CTA4100A | 100-240VAC | Output 1: Transistor/Relay comb. Output 2: Relay |
| CTA4100D | 24VDC | Output 1: Transistor/Relay comb. Output 2: Relay |

General Specifications

| | | |
|---------------------------------|---|-----------------|
| Input Voltage | 100-240VAC, 50/60Hz | 24VDC ±10% |
| Input voltage range | 85% to 110%, rated voltage | 21.6 to 26.4VDC |
| Power consumption | Less than 10VA | Less than 5W |
| External power supply | 12VDC ±10%, 100mA | |
| Display | Double-line, 6-digit LCD display | |
| Input signal | Non-voltage input (NPN): ON impedance 1K ohm max. ON residual voltage: 2V max. Voltage input (PNP): High level: 4.5 to 30VDC, Low level: 0 to 2VDC | |
| Output 1 (Transistor and Relay) | Relay: SPST max.250VAC, 5A (resistance load) Transistor: NPN open collector. When 100mA/30VDC, residual voltage = 1.5VDC max. | |
| Output 2 (Transistor or Relay) | Relay: SPDT max.250VAC, 5A (resistance load) Transistor: NPN open collector. When 100mA/30VDC, residual voltage = 1.5VDC max. | |
| Dielectric strength | 2000VAC 50/60 Hz for 1 minute | |
| Vibration resistance | Without damage: 10-55Hz, amplitude = 0.75mm, 3 axes for 2 hours | |
| Shock resistance | Without damage: drop 4 times, 300m/s ² , 3 edges, 6 surfaces and 1 corner | |
| Ambient temperature | 0°C to +50°C | |
| Storage temperature | -20°C to +65°C | |
| Altitude | 2000m or less | |
| Ambient humidity | 35% to 85% RH (non-condensing) | |
| Pollution degree | Degree 2 | |
| Environmental Protection | IP65 on front panel | |

Dimensions

| Overall | | | Cutout | |
|--------------------|--------------------|--------------------|--------------------|--------------------|
| A | B | C | A | B |
| 48.0 mm (1.89") | 48.0 mm (1.89") | 85.8 mm (3.38") | 44.8 mm (1.76") | 44.8 mm (1.76") |



Secure online
ordering
24/7/365 from

B & B electronics
MANUFACTURING COMPANY

International Headquarters: 707 Dayton Road - PO Box 1040 - Ottawa, IL 61350 USA
815-433-5100 Fax 815-433-5104 www.bb-elec.com orders@bb-elec.com support@bb-elec.com

European Headquarters: Westlink Commercial Park - Oranmore Co. Galway - Ireland
+353 91 792444 Fax +353 91 792445 www.bb-europe.com orders@bb-europe.com support@bb-europe.com