



Model I-7024

## Model I-7024

# 4-channel 14-bit Analog Output Module

I-7000 is a family of network data acquisition and control modules providing analog to digital, digital to analog, digital input/output, timer/counter and other functions. The modules can be remotely controlled by a set of commands.

The I-7024 is a 4-channel analog output module that uses the D/A converter to convert digital data into analog output signals with 14-bit resolution and current read-back function and supports bipolar voltage output.

### Specifications

#### Analog Input

- Photo-isolation: 3750 Vrms
- Channels: 2
- Output type: mA, V
- Voltage output: 0 to 5V,  $\pm 5V$ , 0 to 10V,  $\pm 10V$
- Current output: 0 to 20mA, 4 to 20mA
- Effective Resolution: 14-bit
- Accuracy:  $\pm 0.1\%$  of FSR
- Read back accuracy:  $\pm 0.02\%$  of FSR
- Resolution:  $\pm 0.02\%$  of FSR
- Zero drift:
  - Voltage output:  $\pm 30\mu V/^\circ C$
  - Current output:  $\pm 0.2\mu A/^\circ C$
- Span temperature coefficient:  $\pm 20\text{ppm}/^\circ C$
- Programmable output slope:
  - 0.125 to 1024 mA/second
  - 0.0625 to 512 V/second
- Current load resistance:
  - Internal power: 500 Ohms
  - External 24V: 1050 Ohms
- Isolation: 3000V DC

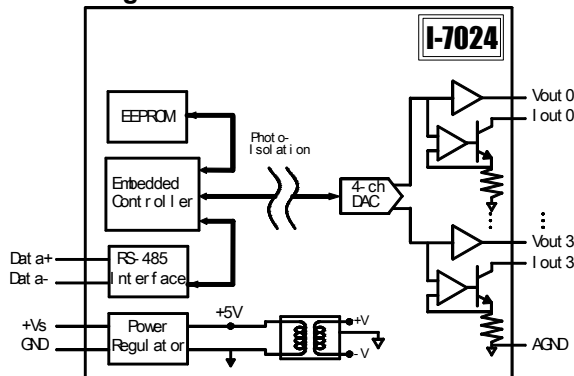
### Features/Benefits

- 3000VDC isolated analog input
- Programmable Power On value of analog output
- Programmable slew rate
- Software calibration
- Dual watchdog

### PIN Assignments

	1		
		IOUT0	20
		IOUT1	
		IOUT2	
		IOUT3	
		AGND	
		AGND	
		VOUT3	
		VOUT2	
		VOUT1	
		VOUT0	
INIT* (Y)DATA+ (G)DATA- (R)+Vs (B)GND	10		11

### Block Diagram



International Headquarters:

**B & B Electronics Mfg. Co.** 707 Dayton Road P.O. Box 1040 Ottawa, IL 61350 USA  
815-433-5100 Fax 433-5104 [www.bb-elec.com](http://www.bb-elec.com) [orders@bb-elec.com](mailto:orders@bb-elec.com) [support@bb-elec.com](mailto:support@bb-elec.com)

**B & B Electronics Ltd** Westlink Commercial Park Oranmore Co. Galway Ireland  
+353 91 792444 Fax +353 91 792445 [www.bb-europe.com](http://www.bb-europe.com) [orders@bb-elec.com](mailto:orders@bb-elec.com) [support@bb-europe.com](mailto:support@bb-europe.com)

**RS-485 Connector**

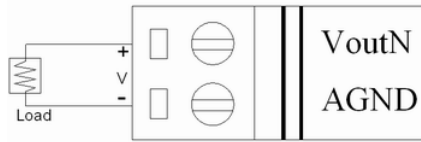
Asynchronous 2-wire half-duplex  
Pluggable terminal block: Pitch 5.08mm

**Baud Rate**

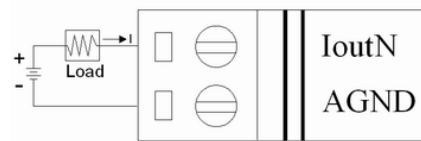
1.2K/2.4K/4.8K/9.6K/19.2K/38.4K/57.6K/115.2K bps

**Wire Connection**

Voltage output



Current output



**Power Requirements**

Power input: +10 to +30VDC input

**Power Consumption**

2.4Watt for I-7024

**Environmental**

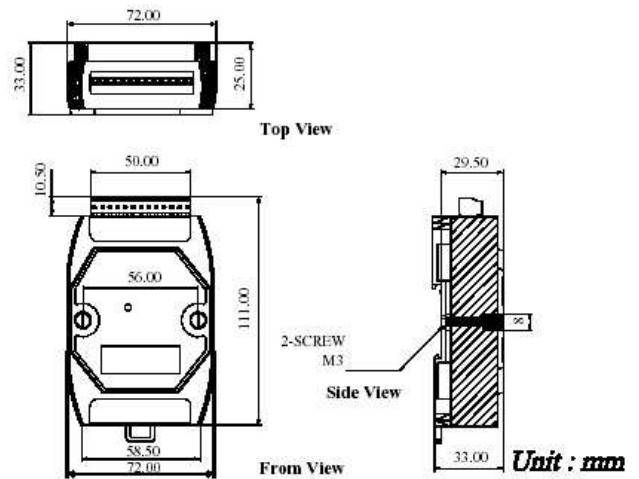
Storage temperature: -25 to 80°C (-13 to 176°F)  
Operation temperature: -20 to 75°C (-4 to 167°F)  
Humidity: 5 to 95%, non-condensing

**Dimensions LxWxH:**

120 x 72 x 33 cm  
47.2 x 28.4 x 13.0 in

**Certification:**

CE



**Unit : mm**

International Headquarters:

**B & B Electronics Mfg. Co.** 707 Dayton Road P.O. Box 1040 Ottawa, IL 61350 USA  
815-433-5100 Fax 433-5104 [www.bb-elec.com](http://www.bb-elec.com) [orders@bb-elec.com](mailto:orders@bb-elec.com) [support@bb-elec.com](mailto:support@bb-elec.com)

**B & B Electronics Ltd** Westlink Commercial Park Oranmore Co. Galway Ireland  
+353 91 792444 Fax +353 91 792445 [www.bb-europe.com](http://www.bb-europe.com) [orders@bb-elec.com](mailto:orders@bb-elec.com) [support@bb-europe.com](mailto:support@bb-europe.com)