



Model I-7014D with LED display

Model I-7014D

Analog Input Module with LED Display

I-7014D is a single-channel analog input module with high/low alarm and 4 ½ digital LED display.

Features

- DIN rail mountable
- 10 to 30 VDC

Specifications

Analog Input

- Type: mV, V, mA
- Channels: 1
- Voltage range: +/-150mV, +/- 500mV, +/-1V, +/- 5V, +/-10V
- Current range: +/- 20mA
- Resolution: 16 bits
- Sampling rate: 10 Samples/Second
- Bandwidth: 5.24 Hz
- Input impedance: 20M ohms
- Accuracy: ±0.05%
- Zero Drift: ± 20uV/°C
- Span Drift: ±25ppm/°C
- Isolated loop power: +15VDC @ 30mA
- CMR @ 50/60 Hz: 150 dB
- NMR @ 50/60 Hz: 100 dB
- Linear Input converter
- Over voltage protection: 10V (P-P)
- Isolation: 3000Vrms

Digital Input

- Channel: 1
- Logic Level 0: + 1V max
- Logic Level 1: + 3.5V to 30V

Event Counter

- Max. Input Frequency: 50Hz
- Min. Pulse Width: 1 mS

Digital Output

- Channels: 2
- Open collector to 30V
- Output Load: sink 30mA max.
- Power dissipation: 300mW

PIN Assignments

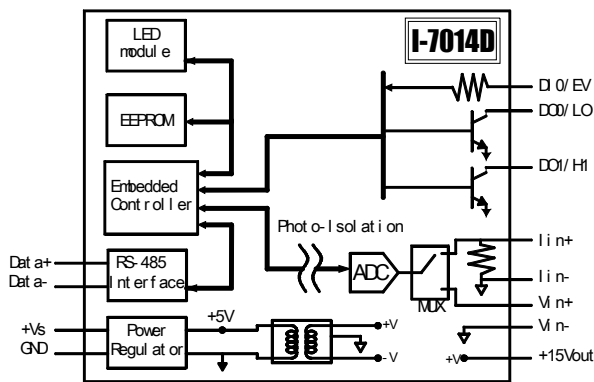
+15Vout	1	20	DO1/HI
lin+			DI0/EV
lin-			DO0/LO
INIT*			
(Y)DATA+			
(G)DATA-			+15Vout
(R)+Vs			Vin-
(B)GND	10	11	Vin+

International Headquarters:

B & B Electronics Mfg. Co. 707 Dayton Road P.O. Box 1040 Ottawa, IL 61350 USA
815-433-5100 Fax 433-5104 www.bb-elec.com orders@bb-elec.com support@bb-elec.com

B & B Electronics Ltd Westlink Commercial Park Oranmore Co. Galway Ireland
+353 91 792444 Fax +353 91 792445 www.bb-europe.com orders@bb-elec.com support@bb-europe.com

Block Diagram



LED Indication 4½ digits

RS-485 Connector

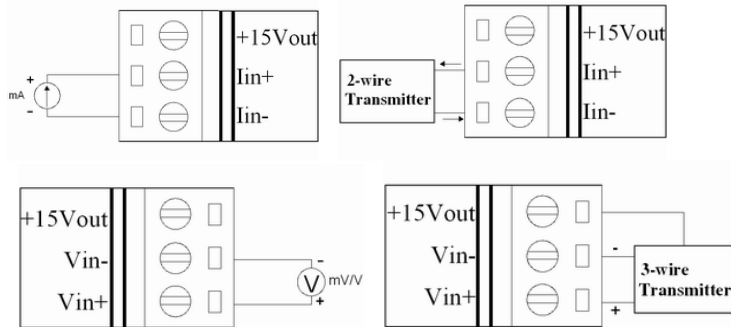
Asynchronous 2-wire half-duplex
Pluggable terminal block: Pitch 5.08mm

Baud Rate

1.2K/2.4K/4.8K/9.6K/19.2K/38.4K/57.6K/115.2K bps

Wire Connection

Analog Input



Power Requirements

Power input: 10 to 30 VDC

Power Consumption

1.9Watt

Environmental

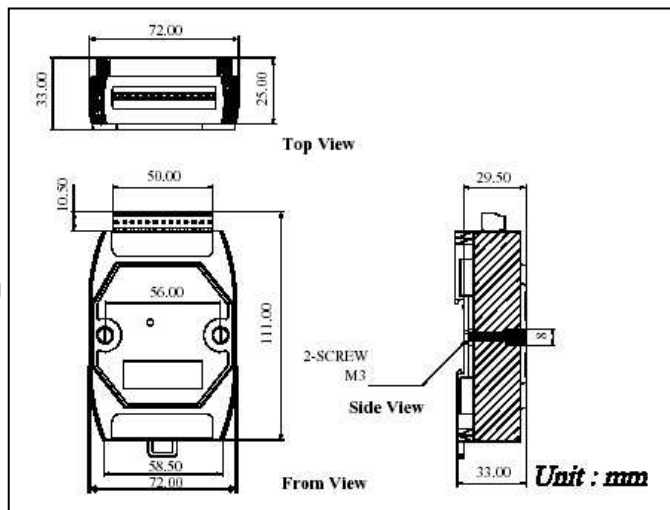
Storage temperature: -25 to 80°C
-13 to 176°F
Operation temperature: -20 to 75°C
-4 to 167°F
Humidity: 5 to 95%, non-condensing

Dimensions:

120L x 72W x 33H cm
4.7 x 2.8 x 1.3 in)

Certification:

CE



International Headquarters:

B & B Electronics Mfg. Co. 707 Dayton Road P.O. Box 1040 Ottawa, IL 61350 USA
815-433-5100 Fax 433-5104 www.bb-elec.com orders@bb-elec.com support@bb-elec.com

B & B Electronics Ltd Westlink Commercial Park Oranmore Co. Galway Ireland
+353 91 792444 Fax +353 91 792445 www.bb-europe.com orders@bb-elec.com support@bb-europe.com