

**Ideal for Fiber-to-the-Desktop applications, McPC installs directly inside a PC.**



### Features and Benefits

Convert twisted pair to fiber.

#### Plug-and-play operation

- Easily installs inside a desktop PC
- No configuration required, connects to existing NIC card
- No drivers to install; McPC mounts inside any PC or workstation with a standard PCI or ISA slot

#### Meets a multitude of installation requirements

- Available in 100 Mbps, 1000 Mbps and 10/100 Mbps auto-sensing versions
- Available for multimode or single-mode fiber
- Available with ST or SC connectors

#### Eases troubleshooting

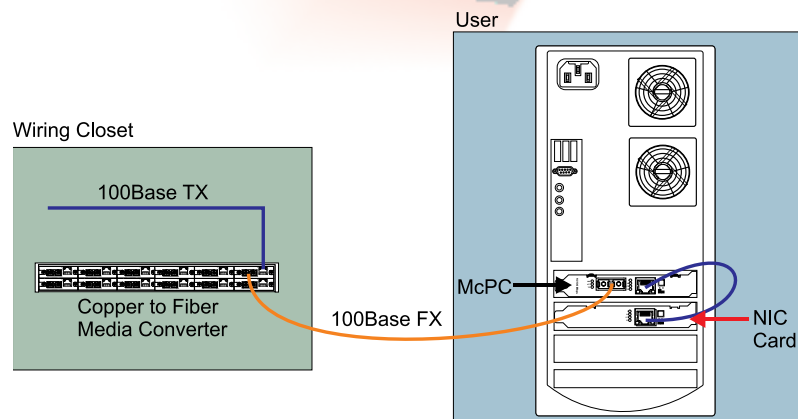
- Status LEDs assist in diagnosing network problems
- Some models also offer advanced troubleshooting such as LinkLoss, FiberAlert or Link Fault Detection

McPC Series Media Converters are ideal for Fiber-to-the-Desktop (FTTD) applications and for companies with frequent workstation moves and changes. Installing inside a PC or workstation, and plugging into an adjacent network interface card (NIC), these compact units eliminate the need to place Media Converters on top of desks or computers, reducing clutter of cords and adapters at the workspace.

The McPC series includes:

- **100 Mbps Fast Ethernet (TX/FX)** - Designed to connect to NIC cards running at Fast Ethernet speeds
- **10/100 Mbps** - A media converter that auto-senses the connected device's rate (10 Mbps or 100 Mbps) and duplex mode (Half-Duplex/Full-Duplex)
- **1000 Mbps Gigabit Ethernet (TX/SX or /LX)** - Converts 1000 Mbps over copper to 1000 Mbps over fiber. Ideal for bringing Gigabit speed connectivity to the desktop

McPC converters accommodate crossover or pass through cables, with either a pushbutton MDI/MDIX switch or AutoCross, a feature which automatically selects the correct operating mode. Units also feature handy status LEDs to assist in network diagnostics and troubleshooting. In addition, McPC TX/FX and McPC 10/100 include troubleshooting features that make it easy to isolate fiber breaks.



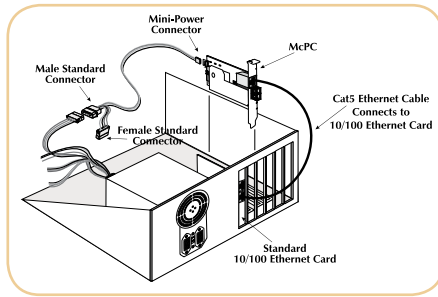
#### Application Example

The McPC series is ideal for delivering FTTD applications to employees in an environment of changing workstation locations. Run fiber from the wiring closet to users and install McPC inside the PC to connect to a twisted pair NIC.

# Technical Specifications

## Features of all McPC Converters

- Save money by keeping existing copper network card (NIC) and converting inside the PC
- No drivers to install; McPC mounts inside any PC or workstation with a standard PCI or ISA slot
- Includes a standard 4-pin peripheral power connector
- AutoCross or push-button selectable MDI/MDIX, depending on the unit
- 50/125 $\mu$ m or 62.5/125 $\mu$ m multi-mode fiber
- Supports Half- and Full-Duplex operation
- Includes status LEDs
- RoHS-Compliant



## McPC 100 Mbps (TX/FX)

- 100 Mbps twisted pair copper to fiber media conversion
- IEEE 802.3u 100Base-TX twisted pair
- Features LinkLoss and FiberAlert
- Features Auto Negotiation

## McPC 10/100 Mbps (TP-TX/FX)

- 10 Mbps and 100 Mbps to 100 Mbps twisted pair, auto-sensing media conversion
- IEEE 802.3 10Base-T twisted pair
- IEEE 802.3u 100Base-TX twisted pair
- IEEE 802.3u 100Base-FX or SX fiber
- Plug-and-play operation
- Features Auto Negotiation

## McPC-Gigabit (TX/SX, TX/LX)

- 1000 Mbps twisted pair to fiber media conversion
- IEEE 802.3ab 1000Base-T twisted pair
- IEEE 802.3z 1000Base-LX or SX fiber
- Optionally available for single-strand fiber

## All McPC Converters

### Regulatory Approvals:

- FCC Class B
- UL/cUL, CSA, CE

### Shipping Weight:

0.6 lbs (0.22 kg)

### Operating Temperature:

+32° to +122° F (0° to +50° C)

### Storage Temperature:

-4° to +158° F (-20° to +70° C)

### Humidity:

5% – 95% (non-condensing)

## Fiber Optics Specifications

For each product listed below in the Ordering Information section, the DISTANCE represents an approximate fiber distance based on industry-standard fiber attenuation specifications. Actual distances will vary for each installation. For complete power budgets and information on calculating specific distances, visit [www.imcnetworks.com/go/fcs](http://www.imcnetworks.com/go/fcs) or contact IMC Networks Fiber Consulting Services at 949-465-3000.

## Ordering Information

PART NUMBER	DESCRIPTION	DISTANCE
<b>McPC TX/FX 100 Mbps - ISA</b>		
855-13127	McPC/ISA, TX/FX-MM1300-ST	5 km
855-13128	McPC/ISA, TX/FX-MM1300-SC	5 km
855-13328	McPC/ISA, TX/FX-SM1310/PLUS-SC	40 km
<b>McPC TX/FX 100 Mbps - PCI</b>		
855-12127	McPC/PCI, TX/FX-MM1300-ST	5 km
855-12128	McPC/PCI, TX/FX-MM1300-SC	5 km
855-12328	McPC/PCI, TX/FX-SM1310/PLUS-SC	40 km

PART NUMBER	DESCRIPTION	DISTANCE
<b>McPC 10/100 Mbps - ISA</b>		
855-13260	McPC/ISA, 10/100-MM850-ST	2 km
855-13261	McPC/ISA, 10/100-MM850-SC	2 km
855-13263	McPC/ISA, 10/100-MM1300-SC	5 km
<b>McPC 10/100 Mbps - PCI</b>		
855-12260	McPC/PCI, 10/100-MM850-ST	2 km
855-12261	McPC/PCI, 10/100-MM850-SC	2 km
855-12263	McPC/PCI, 10/100-MM1300-SC	5 km

PART #	DESCRIPTION	DIST
<b>McPC-Gigabit 1000 Mbps</b>		
855-12900	McPC/PCI-Gigabit, TX/SX-MM850-SC	220/550 m
855-12901	McPC/PCI-Gigabit, TX/LX-SM1310-SC	15 km
855-12902	McPC/PCI-Gigabit, TX/LX-SM1310/PLUS-SC	40 km
855-12903	McPC/PCI-Gigabit, TX/LX-SM1550/LONG-SC	80 km
<b>McPC-Gigabit 1000 Mbps - Single-Strand Fiber*</b>		
855-12904	McPC/PCI-Gigabit, TX/SSLX-SM1310-SC (1550rcv)	15 km
855-12905	McPC/PCI-Gigabit, TX/SSLX-SM1550-SC (1310rcv)	15 km
855-12906	McPC/PCI-Gigabit, TX/SSLX-SM1310/PLUS-SC (1550rcv)	40 km
855-12907	McPC/PCI-Gigabit, TX/SSLX-SM1550/PLUS-SC (1310rcv)	40 km

PART NUMBER	DESCRIPTION
<b>Accessories</b>	
806-39230	SATA Cable for McPC



**IMC Networks**  
**Headquarters**  
 19772 Pauling  
 Foothill Ranch, CA 92610  
 TEL: 949-465-3000  
 FAX: 949-465-3020  
[sales@imcnetworks.com](mailto:sales@imcnetworks.com)

**IMC Networks**  
**Europe**  
 Herseltsesteenweg 268  
 B-3200 Aarschot, Belgium  
 TEL: +32-16-550880  
 FAX: +32-16-550888  
[eurosales@imcnetworks.com](mailto:eurosales@imcnetworks.com)

**IMC Networks**  
**Eastern US/Latin America**  
 28050 U.S. Hwy. 19 North, Suite 306  
 Clearwater, FL 33761  
 TEL: 727-797-0300  
 FAX: 727-797-0331  
[latinsales@imcnetworks.com](mailto:latinsales@imcnetworks.com)

**IMC Networks**  
**Fiber Consulting Services**  
 For information call:  
 TEL: 949-465-3000  
 1-800-624-1070 (US/CAN)  
 +32-16-550880 (Europe)  
[fcs@imcnetworks.com](mailto:fcs@imcnetworks.com)

Copyright © 2011 IMC Networks. All rights reserved. The information in this document is subject to change without notice. IMC Networks assumes no responsibility for any errors that may appear in this document. Specific product names may be trademarks or registered trademarks and are the property of their respective companies.