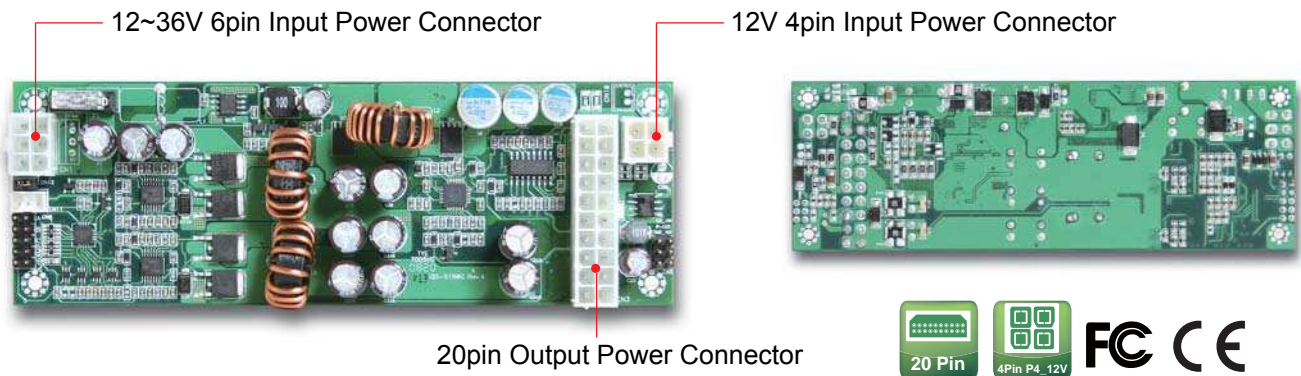


# GADIWA-3160

128W DC/DC 12V~36V/wide-input, ATX/output, Board Type Converter



GADIWA- 3160 is a wide input converter for board type. It normally support 128Watts and peak 160Watts. GADIWA-3160 can save more space and cost, it's not only capability for fan-less system but also suitability for different application. Gadiwa-3610 also have UL certification and watch dog function design, it'll be easy to deploy any critical application.

## FEATURES

- 12~36V/Wide-input, plug into the ATX connector with board output
- Compact and user-friendly design for installation and maintenance
- Fan-less design for mission-critical application
- Small size for 1U or higher system to save space
- Watchdog Timer function

## SPECIFICATION

Input Voltage	12V~36V
Line Regulation	11.5V~36V/input
Output	128Watts / 160Watts Peak
Efficiency	>85% @ 12V
MTBF	245,000hrs @45°C, 192,000hrs @55°C
EMI & Safety Approval	UL, CE, FCC
Input Connector	12V~36V / 6 pin
Output Connector	Main / ATX 20 pin
Dimension (WxDxH)	150 x 51 x 22.5 mm

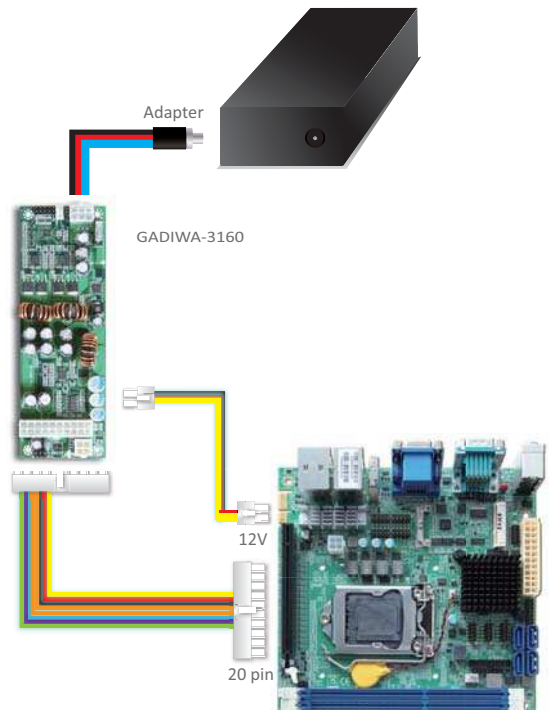
## CHARACTERISTICS

Output Voltage	Current Range (forced air 10cfm)	Current Range (convection or high temperatures)
+12V	0~8A	0~6A
+5V	0~8A	0~6A
+3.3V	0~7A	0~5.25A
+5Vsb	0~2A	0~1.5A
-12V	0~0.15A	0~0.12A

## ORDERING GUIDE

- GADIWA-3160  
128W DC/DC 12V~36V/wide-input, ATX/output, Board Type Converter

## INSTALLING DEMOSTRATION



## MECHANICAL DRAWING

