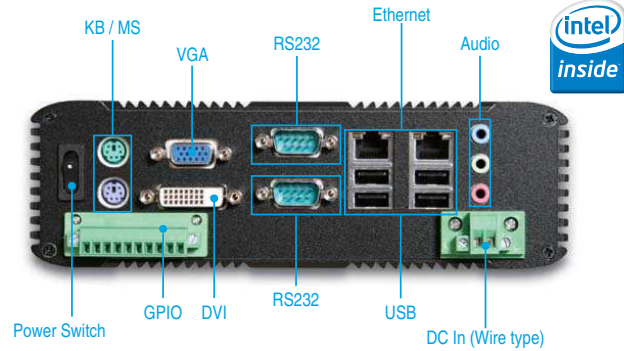


WEBS-4330

Embedded rugged fan-less system with Intel® Atom™ N270 based MINI-ITX board



For different industrial environment, like POS, small size server station or Mini-ITX system, PSU takes an important position. For those applications, PLUTO-A1801PJ not only can provide high efficiency but also high reliability.

FEATURES

- Intel® Atom™ N270 1.6GHz processor and Intel 945GSE+ICH7-M chipset
- Dual Display (VGA/DVI-D), Dual Gigabit Ethernet and Dual RS232
- Analog Display: up to 2048*1536 (QXGA)
- Optional GADIWA-R9271 (9~27V) for IVI application
- Rugged and Fan-less design is ideal for Environment-critical application
- External GPIO (4 in, 4 out) for digital control
- Versatile mounting solutions such as Wall and Panel mount (Optional)
- Single DC 12~36V power input for easy system intergration
- Two interfaces of DC power input by adaptor plug or wiring type
- OP Vibration: 5Grms/5~500Hz
- OP Shock: 50G, 11 msec.
- IP40 Rating

ORDERING GUIDE

AS5-3293	(R).ATO.WEBS-4330.A.MINI-ITX System. WADE-8170. Wire-type
AS5-3294	(R).ATO.WEBS-4330.A.MINI-ITX System. WADE-8170. DC-In

System

Board Dimension	WADE-8170
System Chipset	Intel® 945GSE GMCH integrated GMA 950 Graphics and ICH7-M
CPU	Intel® Atom™ N270 1.6GHz processor
FSB	533 MHz
BIOS	Award BIOS
System Memory	One 200-pin SODIMM supports DDR2 400/533 up to 2GB
Storage	1× CF, 1× SATA 2.5" HDD
Watchdog Timer	Programmable via S/W from 1 sec. to 255 min.
H/W Status Monitor	Temperature (CPU and System), Voltage

External I/O

Serial Port	2× RS232
Display	1× VGA + 1× DVI-D
USB	4× USB 2.0
Audio Interface	Line-in, Line-out and Mic-in (ALC655)
Ethernet	2× Gigabit Ethernet (ALC8111C)
Others	8 bits GPIO; PS2 KB+MS

Power Supply Unit

Power Input	DC 12~36V
Adaptor	AC 100~240V
Optional wire type DC-IN	DC 9~27V

Environmental

Operation Temperature	-5~45°C
Storage Temperature	-20~80°C
Relative Humidity	95%@40°C, non-condensing
Operation Vibration	5Grms/5~500Hz, IEC 60068-2-27
Operation Shock	50G, 11 msec., IEC 60068-2-27

Mechanical

Dimension	200(W) × 200(D) × 62(H)mm; 7.9"(W) × 7.9"(D) × 2.4"(H)
Weight	1.9 kg
Mounting	Desk, Wall/Panel-mounting

