

PA-SOD-2806-D470-xx/2 Data Sheet

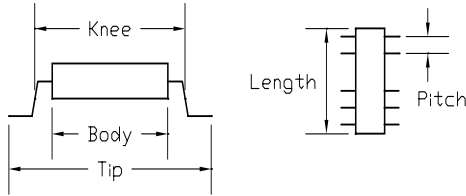
8-28 pin SO socket/8-28 pin SO-Plugs

Supported Device/Footprints

Using this adapter, various pin count SO packages with a body width of 8.0mm - 8.5mm and lead pitch of 1.27mm can be socketed over their PCB footprints.

Device Dimensions

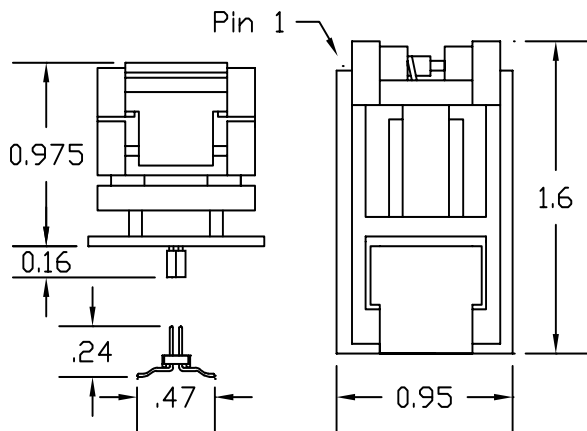
This socket accepts devices with the following dimensions:



Body mm (inches)			Knee mm (inches)		
min.	typ.	max.	min.	typ.	max.
8.0 (0.315)	8.4 (0.331)	8.5 (0.335)	n/a	10.2 (0.402)	10.3 (0.406)

Tip mm (inches)			Body Length	Lead Pitch
min.	typ.	max.	n/a	1.27
10.8 (0.425)	12.0 (0.472)	n/a		(0.050)

Adapter Dimensions



Adapter Construction

The adapter is made up of 2 sub-assemblies. They assemble via connectors making the adapter modular. This way the sub-assemblies can be replaced when they wear out.

When disassembling the adapter take care not to bend the pins. When reassembling the adapter note the pin 1 indicators to align the parts correctly.

The following chart lists the adapters described by this datasheet and their subassemblies.

Adapter	Socket	Board	Plug
PA-SOD-2806-D470-28/2	28SD-06	2806SOD	SOF-D470-28/2
PA-SOD-2806-D470-24/2	24(28H)SD-06	2806SOD	SOF-D470-24/2
PA-SOD-2806-D470-20/2	20(28H)SD-06	2806SOD	SOF-D470-20/2
PA-SOD-2806-D470-18/2	18(28H)SD-06	2806SOD	SOF-D470-18/2
PA-SOD-2806-D470-16/2	16(28H)SD-06	2806SOD	SOF-D470-16/2
PA-SOD-2806-D470-14/2	14(28H)SD-06	2806SOD	SOF-D470-14/2
PA-SOD-2806-D470-08/2	08(28H)SD-06	2806SOD	SOF-D470-08/2

Other SO-Plugs will also mate with this adapter, contact us if you want assistance matching plugs to this adapter.

Test Sockets

LSC #	Style	Mfgr/Pn
28SD-06	Lidded ZIF	Enplas FP-28-1.27-06
xx(28H)SD-06	Lidded ZIF	Enplas FP-xx(28H)-1.27-06

Notes

- The xx(28)SD-06 sockets are depopulated 28SD-06 sockets. A "dam" is added to prevent incorrect alignment of the device.
- The 28 pin test socket can be used for the reduced pin counts. The test socket has divider fingers that keep the device leads on their contacts. With modest care a reduced pin count device can be correctly aligned in the test socket.
- For all versions of the adapter, the board provides 28 positions to receive the SO-Plug. When using plugs with less than 28 pins orient the plug and the device, **away** from the pin 1 end of the board.

Wiring

Wiring is 1 to 1. Pin 1 of the SO device is wired to pin 1 of the plug. Pin 2 to pin 2 and so on around the adapter.