

PA-SOD-1603-D250-xx/2 Data Sheet

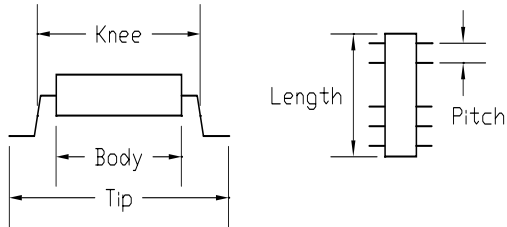
8, 14 & 16 pin SO socket/8, 14 & 16 pin SO-Plugs

Supported Device/Footprints

Using these adapters, 8, 14 and 16 pin SO packages with a body width of 3.9mm - 4.0mm and lead pitch (1.27mm) can be socketed over their PCB footprints.

Device Dimensions

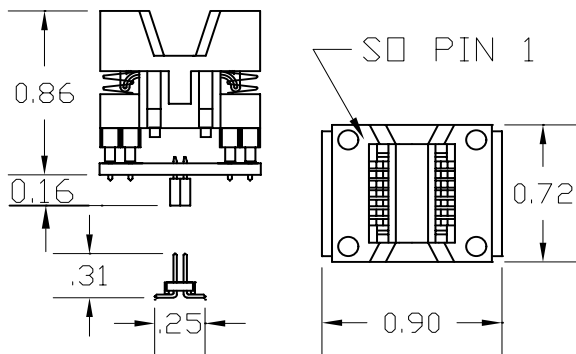
This socket accepts devices with the following dimensions:



| Body mm (inches) | | | Knee mm (inches) | | |
|------------------|----------------|----------------|------------------|----------------|----------------|
| min. | typ. | max. | min. | typ. | max. |
| n/a | 3.9 (0.153) | 4.0 (0.157) | n/a | 5.0 (0.197) | 5.2 (0.205) |

| Tip mm (inches) | | | Body Length | Lead Pitch |
|-----------------|----------------|-----------------|-------------|-----------------|
| min. | typ. | max. | | |
| 5.8 (0.228) | 6.0 (0.236) | 6.35 (0.250) | n/a | 1.27 (0.050) |

Adapter Dimensions



Adapter Construction

The adapter is made up of 2 sub-assemblies. They assemble via connectors making the adapter modular. This way the sub-assemblies can be replaced easily.

When disassembling the adapter take care not to bend the pins. When reassembling the adapter note the pin 1 indicators to align the parts correctly.

The following chart lists the adapters described by this datasheet and their subassemblies.

| Adapter | Test Socket | Board | Plug |
|-----------------------|--------------|---------|---------------|
| PA-SOD-1603-D250-16/2 | 16SD-03 | 1603SOD | SOF-D250-16/2 |
| PA-SOD-1603-D250-14/2 | 14(16H)SD-03 | 1603SOD | SOF-D250-14/2 |
| PA-SOD-1603-D250-08/2 | 08(16H)SD-03 | 1603SOD | SOF-D250-08/2 |

Other SO-Plugs will also mate with this adapter, contact us if you want assistance matching plugs to this adapter.

Test Sockets

| LSC # | Style | Mfgr/Pn |
|-------------|----------|----------------------------|
| 16SD-03 | Open Top | Enplas OTS-16-1.27-03 |
| xx(16)SD-03 | Open Top | Enplas OTS-xx(16H)-1.27-03 |

Notes

- The xx(16)SD-03 sockets are depopulated 16SD-03 sockets. A "dam" is added to prevent incorrect alignment of the device.
- For all versions of the adapter, the board provides 16 positions to receive the SO-Plug. When using plugs with less than 16 pins orient the plug and the device, away from the pin 1 end of the board.

Wiring

Wiring is 1 to 1. Pin 1 of the SO device is wired to pin 1 of the plug. Pin 2 to pin 2 and so on around the adapter.