

PA900-DP(-PP) Data Sheet

44 pin PLCC socket/40 pin DIP 0.6" plug

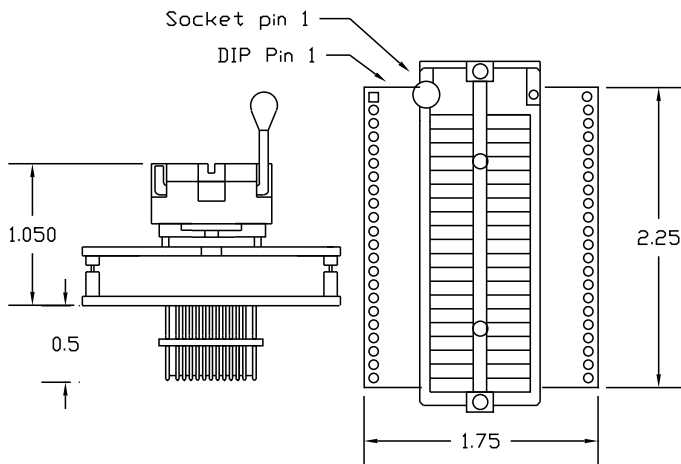
Supported Device/Footprints

Using PA900-DP(-PP) the Altera 900 & 910 in DIP package can be plugged into 44 pin PLCC production sockets.

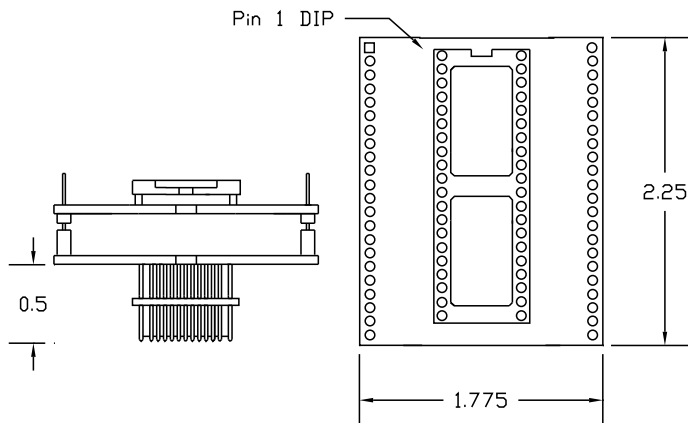
Mfgr	Device		Footprint	
	Device	Package	Device	Plug
Altera	AL900 & AL910	DIP	AL900 & AL910	44 pin PLCC

The PA900-DP-PP has a production socket only.

Adapter Dimensions



PA900-DP



PA900-DP-PP

Adapter Parts & Part Numbers

The following chart shows the various socket and board part numbers that make up these adapters.

Adapter	Socket	Top Board	Bottom Board
PA900-DP	40 pin DIP ZIF	AL900-DIP	44PLUG
PA900-DP-PP	40 pin production	AL900-DIP	44PLUG

Adapter Construction

The adapter is made up of 3 sub-assemblies. They assemble via connectors making the adapter modular. This way the sub-assemblies can be replaced when they wear out.

When disassembling the adapter take care not to bend the pins. When reassembling the adapter note the pin 1 indicators to align the parts correctly.

Test Socket

DIP ZIF test socket:

Aries Part #: 40-6554-11

LSC #: 40ADZ

AL900-DIP

Accepts the test socket DIP and performs the wiring in the Adapter Wiring section.

44PLUG

Provides the 44 pin PLCC plug.

Adapter Wiring

The following chart shows the connections from the DIP device to the adapter's PLCC plug.

DEVICE	SIGNAL	PLUG	PLUG	SIGNAL	DEVICE
1	CLK1	2	1	VCC	40
2	INPUT	3	44	VCC	40
3	INPUT	4	43	INPUT	39
4	INPUT	5	42	INPUT	38
5	I/O	6	41	INPUT	37
6	I/O	7	40	I/O	36
7	I/O	8	39	N/C	-
8	I/O	9	38	I/O	35
9	I/O	10	37	I/O	34
10	I/O	11	36	I/O	33
11	I/O	12	35	I/O	32
12	I/O	13	34	I/O	31
13	I/O	14	33	I/O	30
14	I/O	15	32	I/O	29
15	I/O	16	31	I/O	28
-	N/C	17	30	I/O	27
16	I/O	18	29	I/O	26
17	INPUT	19	28	I/O	25
18	INPUT	20	27	INPUT	24
19	INPUT	21	26	INPUT	23
20	GND	22	25	INPUT	22
20	GND	23	24	CLK2	21



Logical Systems Corporation
 PO Box 6184, Syracuse, NY 13217-6184 USA
 Tel (315) 478-0722, FAX (315) 479-6753
 S Y S T E M S www.logicals.com, Email: info@logicals.com

PA900-DP(-PP) Data Sheet
 Doc: PA900DP.DOC
 Rev 1/28/97
 Page 1 of 1