

PA51GB-68(Z) Data Sheet

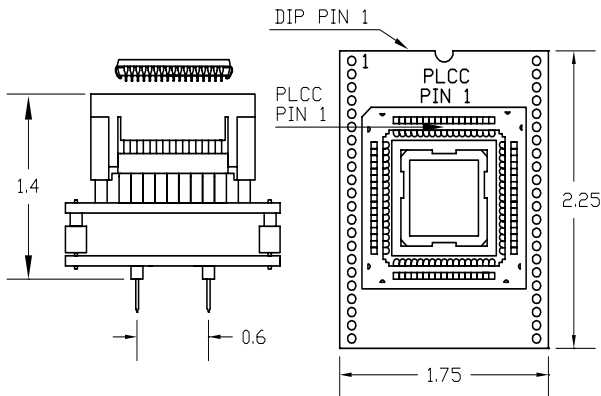
68 pin PLCC socket/40 pin DIP 0.6" plug

Supported Device/Footprints

Using this adapter, the Intel 87C51GB microcontroller in either PLCC or CLCC package can be programmed on 40 pin DIP programmers capable of programming an 87C52.

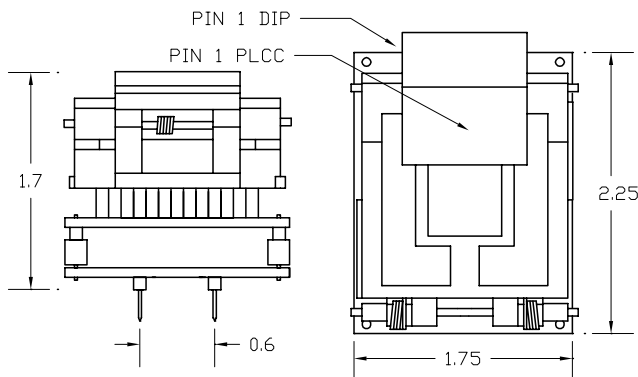
Mfgr	Device		Footprint	
	Device	Package	Device	Plug
Intel	87C51GB	PLCC, CLCC	87C52	40 pin DIP

Adapter Dimensions



Press device to close, press rim to open

PA51GB-68



PA51GB-68Z

Adapter Parts & Part Numbers

The following chart shows the various socket and board part numbers that make up these adapters.

Adapter	Socket	Top Board	Bottom Board
PA51GB-68	68-304	51GB68	51BASE
PA51GB-68(Z)	68-390	51GB-68Z	51BASE

Adapter Construction

The adapter is made up of 3 sub-assemblies. They assemble via connectors making the adapter modular. This way the sub-assemblies can be replaced when they wear out.

When disassembling the adapter take care not to bend the pins. When reassembling the adapter note the pin 1 indicators to align the parts correctly.

Test Socket

PLCC Auto-Eject test socket:

Yamaichi Part #: IC120-0684-304

LSC #: 68-304

Lidded ZIF test socket

Yamaichi Part #: IC51-0684-390

LSC #: 68-390

51GB-68

Accepts the test socket and connects to the bottom board.

51BASE

Performs the wiring shown in the Adapter Wiring section

Adapter Wiring

The following chart shows the connections from the PLCC device to the adapter's DIP plug.

DEVICE	SIGNAL	PLUG	PLUG	SIGNAL	DEVICE
1	P0.4	35	36	P0.3	68
2	P0.5	34	37	P0.2	67
3	P0.6	33	38	P0.1	66
4	P0.7	32	39	P0.0	65
5	P4.0	-	28	P2.7	64
6	P4.1	-	27	P2.6	63
7	P4.2	-	26	P2.5	62
8	P4.3	-	25	P2.4	61
9	P4.4	-	24	P2.3	60
10	P4.5	-	23	P2.2	59
11	P4.6	-	22	P2.1	58
12	P4.7	-	21	P2.0	57
13	VCC	40	31	EA	56
14	P5.0	-	30	ALE	55
15	P5.1	-	29	PSEN	54
16	P5.2	-	18	XTAL2	53
17	P5.3	-	19	XTAL1	52
18	P5.4	-	20	VSS	51
19	P5.5	-	-	TRIGIN	50
20	P5.6	-	-	ACH0	49
21	P5.7	-	-	ACH1	48
22	P1.0	1	-	ACH2	47
23	P1.1	2	-	ACH3	46
24	P1.2	3	-	ACH4	45
25	P1.3	4	-	ACH5	44
26	P1.4	5	-	ACH6	43
27	P1.5	6	-	ACH7	42
28	P1.6	7	-	COMPREF	41
29	P1.7	8	-	AVSS	40
30	RESET	9	-	AVREF	39
31	P3.0	10	17	P3.7	38
32	P3.1	11	16	P3.6	37
33	P3.2	12	15	P3.5	36
34	P3.3	13	14	P3.4	35



Logical Systems Corporation
 PO Box 6184, Syracuse, NY 13217-6184 USA
 Tel (315) 478-0722, FAX (315) 479-6753
 S Y S T E M S www.logicals.com, Email: info@logicals.com

PA51GB-68(Z) Data Sheet
 Doc: PA51GB68.DOC
 Rev 1/28/97
 Page 1 of 1