

# PA44Q-xxx Data Sheet

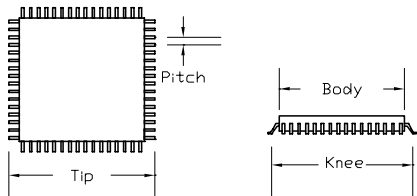
## 44 pin QFP socket/44 pin DIP 0.6" plug

### Supported Device/Footprints

This adapter accepts a 44 pin QFP device and connects it to a 44 pin DIP footprint. It can be used for device programming or prototyping.

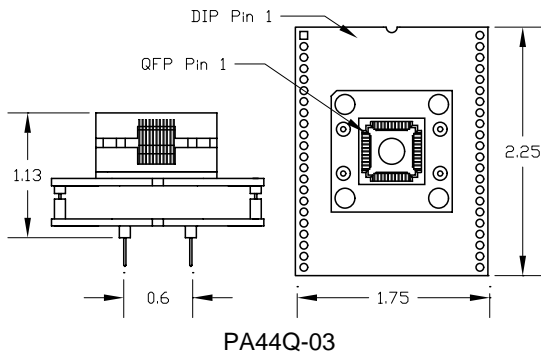
The adapter's wiring as well as the sockets dimensions establish the useful applications of these adapters.

Each QFP socket accepts packages within a range of dimensions. The following chart shows the compatible device dimensions for each socket.

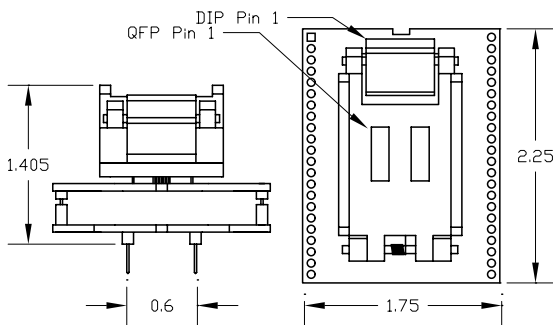


Socket	Body	Knee	Tip	Pitch
44QF-03 PQFP	10.0 mm typ	11 mm typ 11.3 mm max	12 mm typ 12.8 mm max	0.8 mm
44QF-14C PQFP	10.0 mm typ	12.8 mm typ	13.9 mm typ	0.8 mm
44QF-16 PQFP	10.0 mm typ	11.6 mm typ	13.2 mm typ	0.8 mm

### Adapter Dimensions



PA44Q-03



PA44Q-16

### Adapter Construction

These adapters are made of 3 sub-assemblies. They assemble via connectors making the adapter modular. This way the sub-assemblies can be replaced easily.

When disassembling the adapter take care not to bend the pins. When reassembling the adapter note the pin 1 indicators to align the parts correctly.

The following chart shows the various socket and board part numbers that make up these adapters.

Adapter	Socket	Top Board	Bottom Board
PA44Q-03	44QF-03	44QF-03	44-44
PA44Q-16	44QF-16	44QF-16	44-44
PA44Q-14C	44QF-14C	44QF-16	44-44

### Test Socket

LSC #	Style	Mfgr/Pn
44QF-03	Open Top	Enplas OTQ-44-0.8-03
44QF-14C	Lidded ZIF	Enplas FPQ-44-0.8-14C
44QF-16	Lidded ZIF	Enplas FPQ-44-0.8-16

### Adapter Wiring

This adapter is wired 1 to 1 by signal position. This chart shows the connections from the QFP device to the adapter's DIP plug.

DEVICE	PLUG	PLUG	DEVICE
1	7	6	44
2	8	5	43
3	9	4	42
4	10	3	41
5	11	2	40
6	12	1	39
7	13	44	38
8	14	43	37
9	15	42	36
10	16	41	35
11	17	40	34
12	18	39	33
13	19	38	32
14	20	37	31
15	21	36	30
16	22	35	29
17	23	34	28
18	24	33	27
19	25	32	26
20	26	31	25
21	27	30	24
22	28	29	23